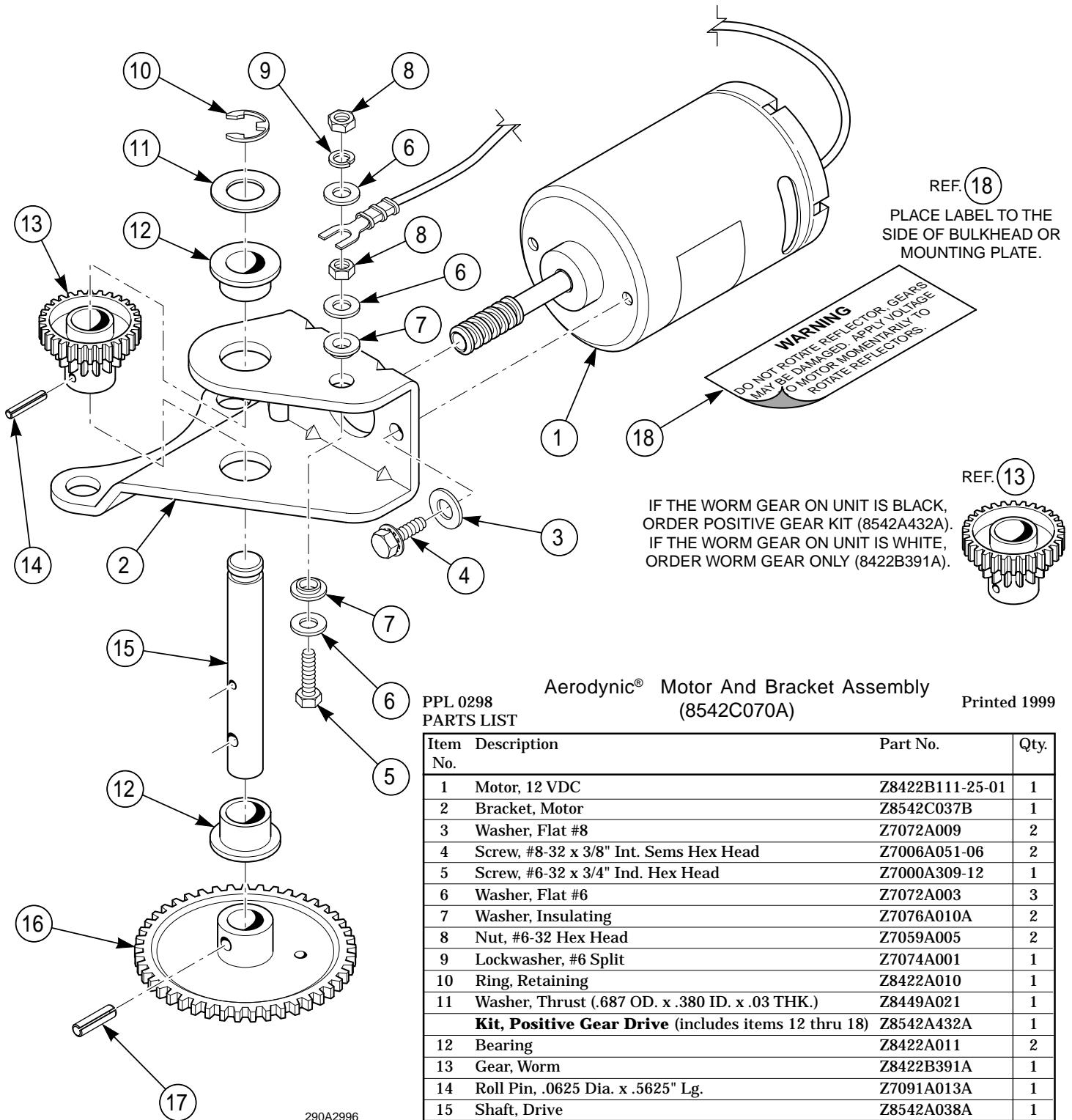


AeroDync® MOTOR AND BRACKET ASSEMBLY
MOTOR AND BRACKET ASSEMBLY(8542C070A), USED
ON 22, 24, AND 25 SERIES MODELS(AeroDync®)



PPL 0298
PARTS LIST

Aerodynamic® Motor And Bracket Assembly
(8542C070A)

Printed 1999

Item No.	Description	Part No.	Qty.
1	Motor, 12 VDC	Z8422B111-25-01	1
2	Bracket, Motor	Z8542C037B	1
3	Washer, Flat #8	Z7072A009	2
4	Screw, #8-32 x 3/8" Int. Sems Hex Head	Z7006A051-06	2
5	Screw, #6-32 x 3/4" Ind. Hex Head	Z7000A309-12	1
6	Washer, Flat #6	Z7072A003	3
7	Washer, Insulating	Z7076A010A	2
8	Nut, #6-32 Hex Head	Z7059A005	2
9	Lockwasher, #6 Split	Z7074A001	1
10	Ring, Retaining	Z8422A010	1
11	Washer, Thrust (.687 OD. x .380 ID. x .03 THK.)	Z8449A021	1
	Kit, Positive Gear Drive (includes items 12 thru 18)	Z8542A432A	1
12	Bearing	Z8422A011	2
13	Gear, Worm	Z8422B391A	1
14	Roll Pin, .0625 Dia. x .5625" Lg.	Z7091A013A	1
15	Shaft, Drive	Z8542A038A	1
16	Gear, Spur	Z8542B021B	1
17	Roll Pin, .125 Dia. x .625" Lg.	Z7091A016A	1
18	Label, Warning	Z8542A430A	1

DO NOT ORDER PARTS BY ITEM NUMBER.
Give model, description and part number.
When a part number is not supplied, the part is **NOT** available.
Refer to PARTS PRICE LIST (Part No. 1001) for prices of parts.

Federal Signal Corporation
2645 Federal Signal Drive
University Park, IL 60466

Printed in U.S.A.