

**INSTRUCTION SHEET  
FOR  
MODEL 521544 LED STOP/TAIL/TURN LIGHT KIT  
(For Jerr-Dan JetStream™ Lightbars only)**

**SAFETY MESSAGE TO INSTALLERS**

**⚠ WARNING**

People's lives depend on your safe installation of our products. It is important to read, understand, and follow all instructions shipped with the products. In addition, listed below are some other important safety instructions and precautions you should follow:

- To properly install this warning light: you must have a good understanding of automotive electrical procedures and systems, along with proficiency in the installation and use of safety warning equipment.
- This product contains high intensity LED devices. To prevent eye damage, DO NOT stare into light beam at close range.
- File this instruction sheet in a safe place and refer to it when maintaining and/or reinstalling this product.

Failure to follow all safety precautions and instructions may result in property damage, serious injury, or death to you or others.

**A. GENERAL.**

**⚠ WARNING**

To properly install a stop/tail/turn light kit, the installer must have a good understanding of automotive electrical procedures and systems.

The 521544 LED Stop/Tail/Turn light kit is designed for installation in Federal JetStream Lightbars.

If installation of the 521544 in another mounting location or in any other product is chosen, the safety and effectiveness of the final design must be carefully evaluated.

After unpacking the stop/tail/turn kit, carefully check all envelopes, shipping labels, and tags before removing or destroying them. Ensure that the parts in the KIT CONTENTS LIST are contained in the packing carton.

**KIT CONTENTS LIST**

Qty.	Description
2	Stop/Tail/Turn Assembly
4	Screw, #10-32 Thread Forming
2	Lock washer, #10
4	Wire tie-wrap

**B. INSTALLATION.**

1. Remove and retain the two screws located at the identification plate of each end dome assembly. Slide both dome assemblies out of the extrusion.
2. Disconnect and remove the halogen stop/tail/turn light assemblies (if applicable).
3. Remove the light baffles from both ends of the light bar.
4. Using figure 1 as a guide, place an LED stop/tail/turn assembly into the proper mounting location. Secure with two #10-32 thread forming screws (supplied). Make sure to ground the wire harness using a lock washer (supplied.)

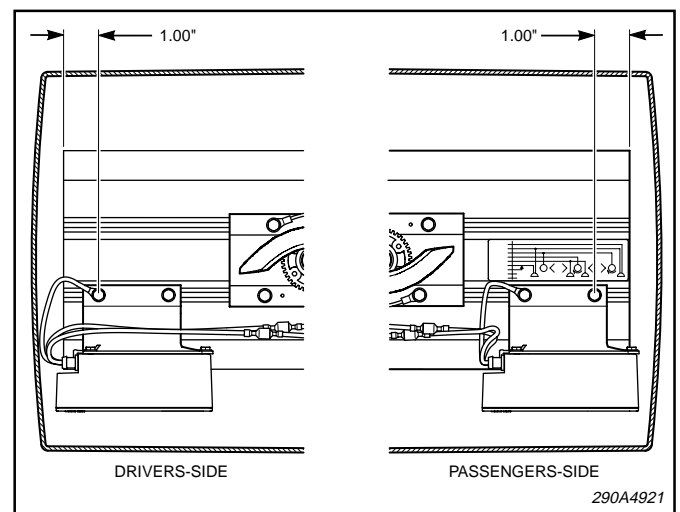


Figure 1.

290A4921

5. Repeat step 4 for the other side of the light bar.

6. Using figure 2 as a guide, connect the wires from the stop/tail/turn assemblies to the proper pre-existing wires.

### CAUTION

Interference with the rotating reflector can cause damage to the reflector and wires. Ensure that wires are dressed to prevent any interference.

7. Dress the wires from the stop /tail/turn assemblies using the supplied wire tie-wraps.

8. Reinstall the domes removed in step 1. Secure with the previously removed screws.

9. Apply power to the light bar and test for proper operation of all functions.

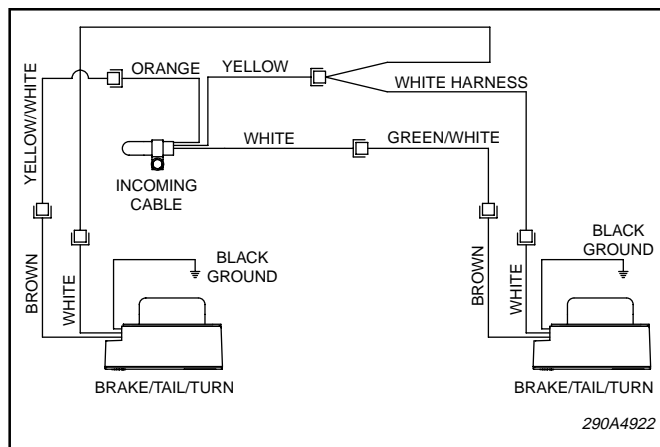


Figure 2.