

INSTRUCTION SHEET FOR MODEL HK-DURR

SAFETY MESSAGE TO INSTALLERS OF FEDERAL SIGNAL LIGHT SYSTEMS



People's lives depend on your safe installation of our products. It is important to read, understand and follow all instructions shipped with the products. In addition, listed below are some other important safety instructions and precautions you should follow:

- To properly install a light assembly: you must have a good understanding of automotive electrical procedures and systems, along with proficiency in the installation and use of safety warning equipment.
- When drilling into a vehicle structure, be sure that both sides of the surface are clear of anything that could be damaged.
- You should frequently inspect the light system to ensure that it is operating properly and that it is securely attached to the vehicle.
- Refer to the instruction sheets packed with related products for additional precautions and information.
- File these instructions in a safe place and refer to them when maintaining and/or reinstalling the product.

Failure to follow all safety precautions and instructions may result in property damage, serious injury, or death to you or others.

A. GENERAL.

This instruction sheet provides additional directions for installation of a separately purchased mounting system for the Federal AeroDync® Series, JetSonic® Series, JetStream™ Series, JetStrobe™ Series, or Vector™ Series light assemblies, and the Vision™ warning system on the 2005 Dodge Durango with factory roof rack.

NOTE

Installation of the Model HK-DURR requires the use of parts from the mounting system kit.

B. UNPACKING.

After unpacking the kit, carefully check all envelopes, shipping labels, and tags before removing or destroying them. Ensure that the parts shown in the KIT CONTENTS are contained in the packing carton.

C. KIT CONTENTS

Qty.	Description	Part Number
2	Hook	8552785
6	Screw, #10 Thd. Frm.	7011A119-08

D. INSTALLATION.

NOTE

Before proceeding, read and understand all instructions packed with the mounting system kit.

1. Place the light assembly on the vehicle roof at the desired location. Usually the unit should be installed approximately over the driver's head. Refer to the instructions included with the mounting system kit for additional information.



Water may leak into the vehicle interior if the hook is improperly positioned. Ensure that the hook is positioned above or near the door post.

2. See figure 1. Determine where the hook will attach to the vehicle.



Use care to avoid damaging the door gutter gaskets. They will be reused.

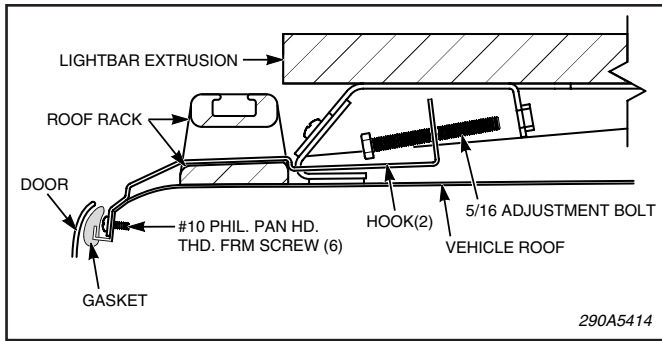


Figure 1.

3. Slide the door gutter gasket off the roof sheet metal just enough to place the hook in position. Place the hook in position on the roof sheet metal as shown in figure 1.

4. Use the hook as a template to mark the three hole locations.



Before drilling holes in ANY part of a vehicle, be sure that no electrical wiring will be damaged. Ensure that the drill will not damage the upholstery.

5. Drill three (3) .147" diameter holes (#26 drill bit) at the marked locations.

6. Apply a silicone sealant around the holes before attaching the hook.

7. Secure the hook using the three sheet metal screws provided (#10 thread-forming) as shown in figure 1.

8. Assemble the hook on the mounting bracket using the appropriate length 5/16-18 hex head bolt. Tighten the bolt only finger-tight at this time.

9. Repeat steps 2 through 8 with the other hook.



Maintain hook mounting adjustment bolt torque of 10 - 11 ft-lbs. Failure to do so may result in damage to the vehicle and/or injury to others.

10. Tighten both hook adjustment bolts to prevent the unit from sliding when pulling on the mounting bracket.

11. Reinstall the door gutter gaskets over the roof sheet metal and the portion of the hook that clamps onto the roof sheet metal.

Copyright 2007 Federal Signal Corporation