

**INSTRUCTION SHEET
FOR
MODEL HK-GUTR**

**SAFETY MESSAGE TO INSTALLERS
OF
FEDERAL SIGNAL LIGHT SYSTEMS**

People's lives depend on your safe installation of our products. It is important to read, understand and follow all instructions shipped with the products. In addition, listed below are some other important safety instructions and precautions you should follow:

- To properly install a light assembly: you must have a good understanding of automotive electrical procedures and systems, along with proficiency in the installation and use of safety warning equipment.
- When drilling into a vehicle structure, be sure that both sides of the surface are clear of anything that could be damaged.
- You should frequently inspect the light system to ensure that it is operating properly and that it is securely attached to the vehicle.
- Refer to the instruction sheets packed with related products for additional precautions and information.
- File these instructions in a safe place and refer to them when maintaining and/or re-installing the product.

Failure to follow all safety precautions and instructions may result in property damage, serious injury, or death to you or others.

A. GENERAL.

This instruction sheet provides directions for installation of a separately purchased mounting system for the Federal AeroDync® Series, JetSonic® Series, JetStream™ Series, or JetStrobe™ Series light assemblies, and the Vision™ warning system on vehicles with external door gutters.

NOTE

Installation of the Model HK-GUTR requires the use of parts from the mounting system kit.

B. UNPACKING.

After unpacking the kit, carefully check all envelopes, shipping labels, and tags before removing or destroying them. Ensure that the parts shown in the KIT CONTENTS are contained in the packing carton.

C. KIT CONTENTS.

Qty.	Description	Part Number
2	Hook	8552B051

D. INSTALLATION.

NOTE

Before proceeding, read and understand all instructions packed with the mounting system kit.

1. Place the light assembly on the vehicle roof at the desired location. Usually the unit should be installed approximately over the driver's head. Refer to the instructions included with the mounting system kit for additional information.

NOTE

1-3/4", 2-1/2", or 3-1/2" long bolts (2 each) are supplied. (Longer bolts may be required when installing on vans, trucks, etc.) Use the length that best fits your vehicle.

2. See figure 1. Insert the hook into the opening in the center of the mounting bracket. Install the 1-3/4", 2-1/2" or 3-1/2" stainless steel adjusting bolt (finger tight). Insure that the hook does not interfere with the door gasket or glass. Repeat step on other side of light assembly.

CAUTION

Maintain hook mounting adjustment bolt torque of 10 - 11 ft-lbs. Failure to do so may result in damage to the vehicle and/or injury to others.

3. Tighten both 5/16-18 hook adjustment bolts to prevent the light from sliding front-to-back when pulling on the mounting bracket.

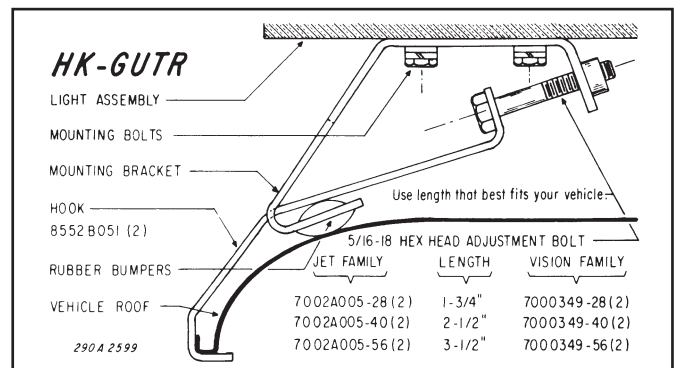


Figure 1.