

INSTRUCTION SHEET FOR MODEL TK2 TAKEDOWN LIGHT KIT

SAFETY MESSAGE TO INSTALLERS

People's lives depend on your safe installation of our products. It is important to read, understand and follow all instructions shipped with the products. In addition, listed below are some other important safety instructions and precautions you should follow:

- To properly install this kit: you must have a good understanding of automotive electrical procedures and systems, along with proficiency in the installation and use of safety warning equipment.
- You should frequently inspect the light system to ensure that it is operating properly and that it is securely attached to the vehicle.
- Refer to the instruction sheets packed with related products for additional precautions and information.
- File these instructions in a safe place and refer to them when maintaining and/or reinstalling the product.

Failure to follow all safety precautions and instructions may result in property damage, serious injury, or death to you or others.

A. GENERAL.

The Model TK2 takedown light kit is designed for installation in Federal JetStrobe™ light assemblies. Takedown lights are designed to shine high intensity light beams forward.

If installation of the TK2 in another mounting location or in any other product is chosen, the safety and effectiveness of the final design must be carefully evaluated.

After unpacking the takedown kit, carefully check all envelopes, shipping labels and tags before

removing or destroying them. Ensure that the parts listed in the KIT CONTENTS LIST are contained in the packing carton.

B. KIT CONTENTS LIST.

| Qty. | Description | Part Number |
|------|--------------------------------|------------------|
| 1 | Reflector Assembly | 8552373 |
| 1 | Lamp, 12V, 50W, #795 | 8107A119 |
| 1 | Screw, Hex Hd., Thd. Frm., #10 | 7011A122-06 |
| 1 | Lockwasher, #10 | 7075A014 |
| 1 | Wire, 18AWG, WHT/ORG | T300A218-23-0010 |
| 2 | Wire Tie | 150A109 |

C. INSTALLATION.

WARNING

If shorted to vehicle frame, high current conductors can cause hazardous sparks resulting in electrical fires or molten metal.

High voltages are present inside the light assembly. Wait at least ten (10) minutes, after disconnecting power, before installing the kit.

Before proceeding, disconnect all power to the light assembly at the Positive (+) battery terminal.

1. Select an unused mounting location.
2. After selecting the mounting location, remove the two screws located at the identification plate of each dome assembly. Retain all screws. Slide the dome assemblies out of the extrusion.
3. Position the takedown reflector assembly at the selected location. Temporarily install the dome and ensure that the reflector is aligned with the center of the dome insert. Remove the dome and secure the takedown reflector assembly to the extrusion with the #10 thread-forming screw and #10 lockwasher (see figure 1).

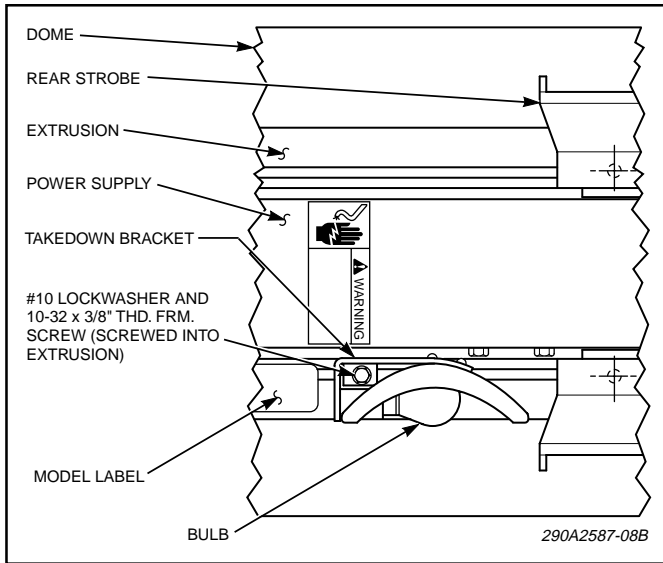


Figure 1.

NOTE

Each terminal position is capable of a maximum of 10-amperes.

4. See figure 2. Connect the takedown reflector assembly's wire to the supplied 25" wht/org wire. Route the wire to the lightbar's terminal block and connect to the incoming cable's gray wire terminal position. If the incoming cable's gray wire is used for another option, connect to an unused incoming cable terminal position.

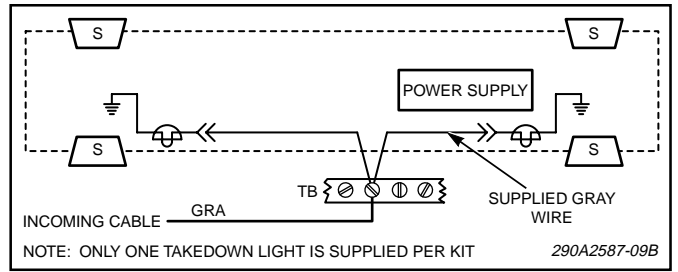


Figure 2.

CAUTION

Service life of lamp will be shortened if glass portion is touched. If glass has been handled, clean with a grease solvent.

WARNING

Halogen lamps are pressurized and if broken can result in flying glass. Always wear gloves and eye protection when handling the lamps.

5. Install the supplied lamp in the reflector assembly socket.
6. If another TK2 is to be installed, repeat steps C.1. through C.5.
7. Reinstall the domes removed in step 1. Secure with the previously removed screws. Reconnect power to the light assembly.
9. Check for proper operation of all functions.