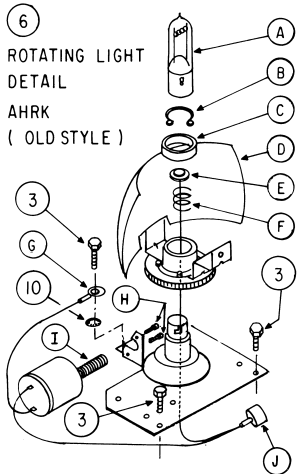
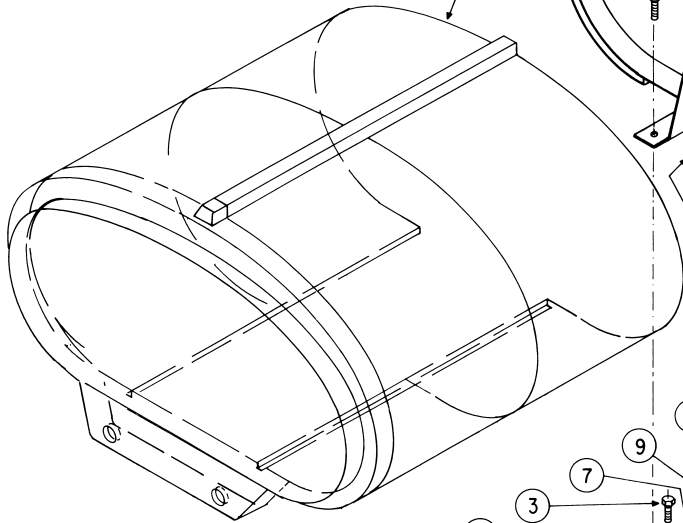
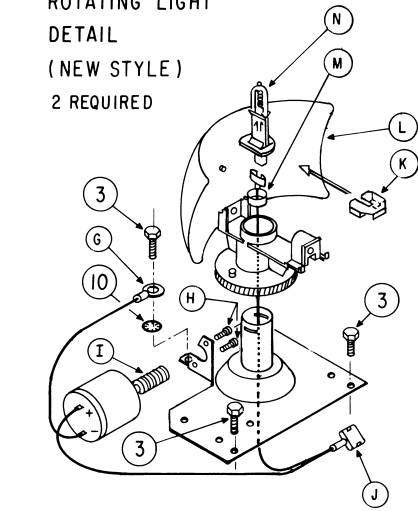
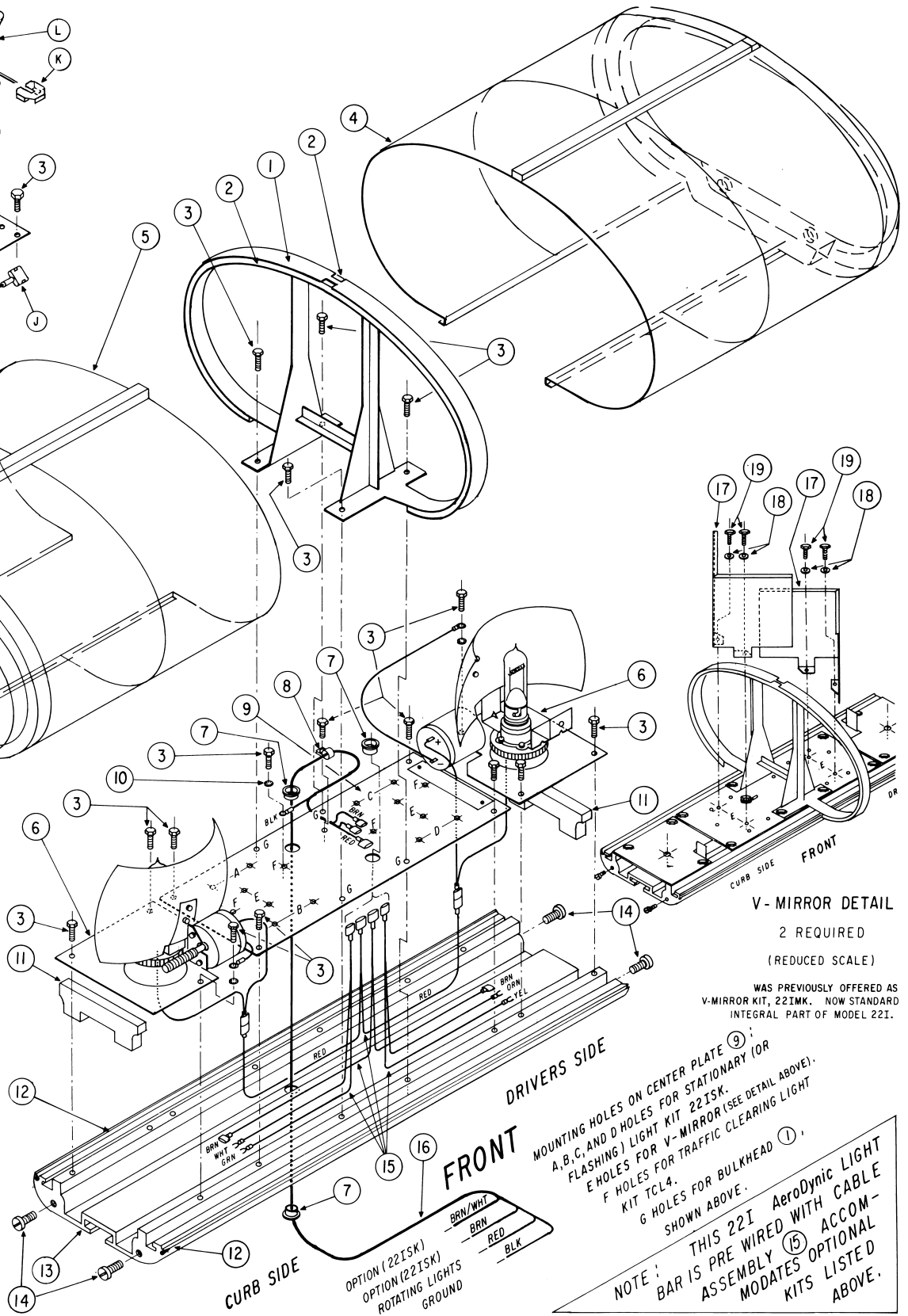


6
ROTATING LIGHT
DETAIL
(NEW STYLE)
2 REQUIRED



290 C 2300E



AeroDynic®
Model 22I

PPL 0231
PARTS LIST

Printed 1999

| Item No. | Description | Part No. | Qty. |
|----------|---|-----------------|------|
| 1 | Bulkhead | Z8542D011A | 1 |
| 2 | Gasket, Bulkhead | Z8542A027A | 2 |
| 3 | 8-32 x 9/16 Screw, Hex Wsh. Hd., Thd. Frm. | Z7011A122-06 | 16 |
| 4 | Dome, Drivers Side (XXXXX, 5 digit color code) | Z8542D170A-SPEC | 1 |
| 5 | Dome, Curb Side (XXXXX, 5 digit color code) | Z8542D170A-SPEC | 1 |
| 6A | Lamp, 55W, (shown) (Bayonet Type) | Z8107A119A | 2 |
| | Lamp, 55W, (Vertical Filament) (Bayonet Type) | Z8107141A | AR |
| 6B | Ring, Retaining | | 2 |
| 6C | Cover | | 2 |
| 6D | Reflector & Gear Assembly (white gear) Order AHRK as replacement | | 2 |
| 6E | Wire, Lead | Z8444A017-05 | 2 |
| 6F | Spring | Z8444A017-02 | 2 |
| 6G | Wire, Terminated | | 2 |
| 6H | 4-40 x 3/16 Screw, Hex Hd. | Z7006A016B-04 | 4 |
| 6I | Motor & Worm Gear Assembly | Z8559A055A | 2 |
| | Motor & Worm Gear Assembly, FAST | Z8559A055A-01 | AR |
| 6J | Connector | | 2 |
| 6K | Clip, Socket | Z8550133A | 2 |
| 6L | Reflector and Gear Assembly (blk. gear) | Z8559187B | 2 |
| 6M | Insulator, Socket | Z8559185A | 2 |
| 6N | Lamp, 55W (Spade Type) | Z8440A265A-01 | 2 |
| 7 | Bushing, Snap | Z8470A106 | 3 |
| 8 | Clamp, Cable | Z8542A028A-01 | 1 |
| 9 | Plate, Center | Z8542C467A | 1 |
| 10 | #4 Lockwasher, Int. Tooth | Z7075A014 | 3 |
| 11 | Gasket, Extrusion End | Z8542A235A | 2 |
| 12 | Gasket, Dome | Z8542A006A | 2 |
| 13 | Extrusion | Z8542D468B | 1 |
| 14 | 1/4-20 x 5/8 Screw | Z7000A457-10 | 4 |
| 15 | Wire Harness, 22I | Z146B793A | 1 |
| 16 | Cable Assembly, 4 Cond., 22I, 15 ft. lg. | Z175A642A | 1 |
| 17 | V-Mirror | Z8542C407A | 2 |
| 18 | Washer, #8 Flat | Z7072A005 | 4 |
| 19 | Screw, 8-32 x 3/8 Thd. Frm. | Z7011A027-04 | 4 |

DO NOT ORDER PARTS BY ITEM NUMBER.
Give model, description and part number.
When a part number is not supplied, the part is **NOT** available.
Refer to PARTS PRICE LIST (Part No. 1001) for prices of parts.

Federal Signal Corporation
2645 Federal Signal Drive
University Park, IL 60466

Printed in U.S.A.