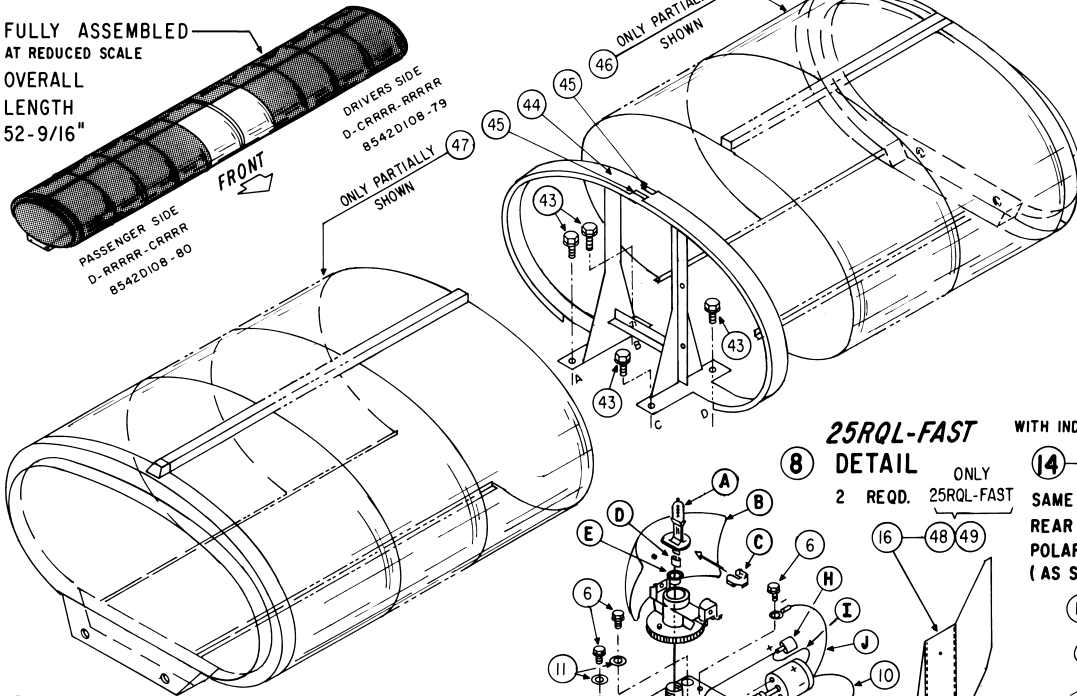
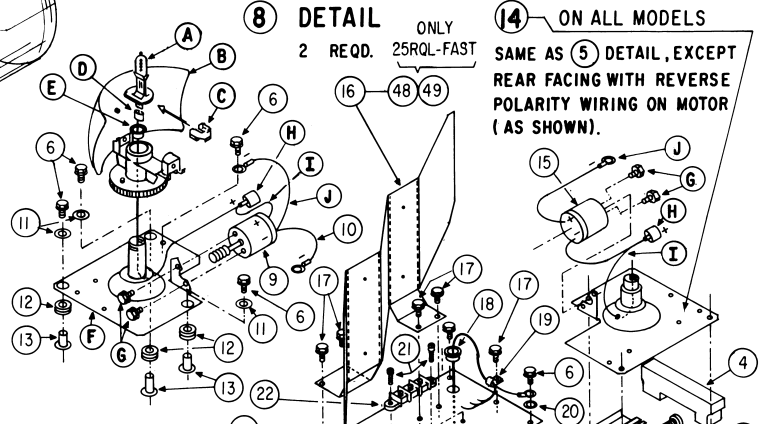


FULLY ASSEMBLED  
AT REDUCED SCALE  
OVERALL  
LENGTH  
52-9/16"



**25RQL-FAST**  
**DETAIL**

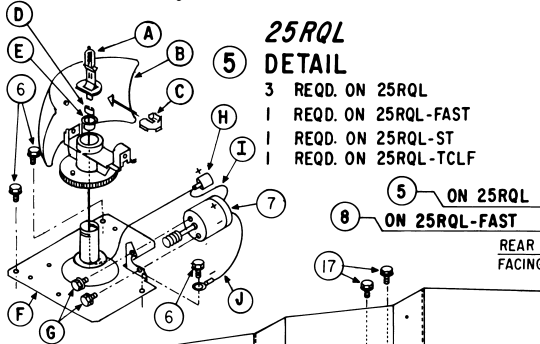
WITH INDEPENDENT MOTOR ROTATORS



14 ON ALL MODELS  
SAME AS 5 DETAIL, EXCEPT  
REAR FACING WITH REVERSE  
POLARITY WIRING ON MOTOR  
(AS SHOWN).

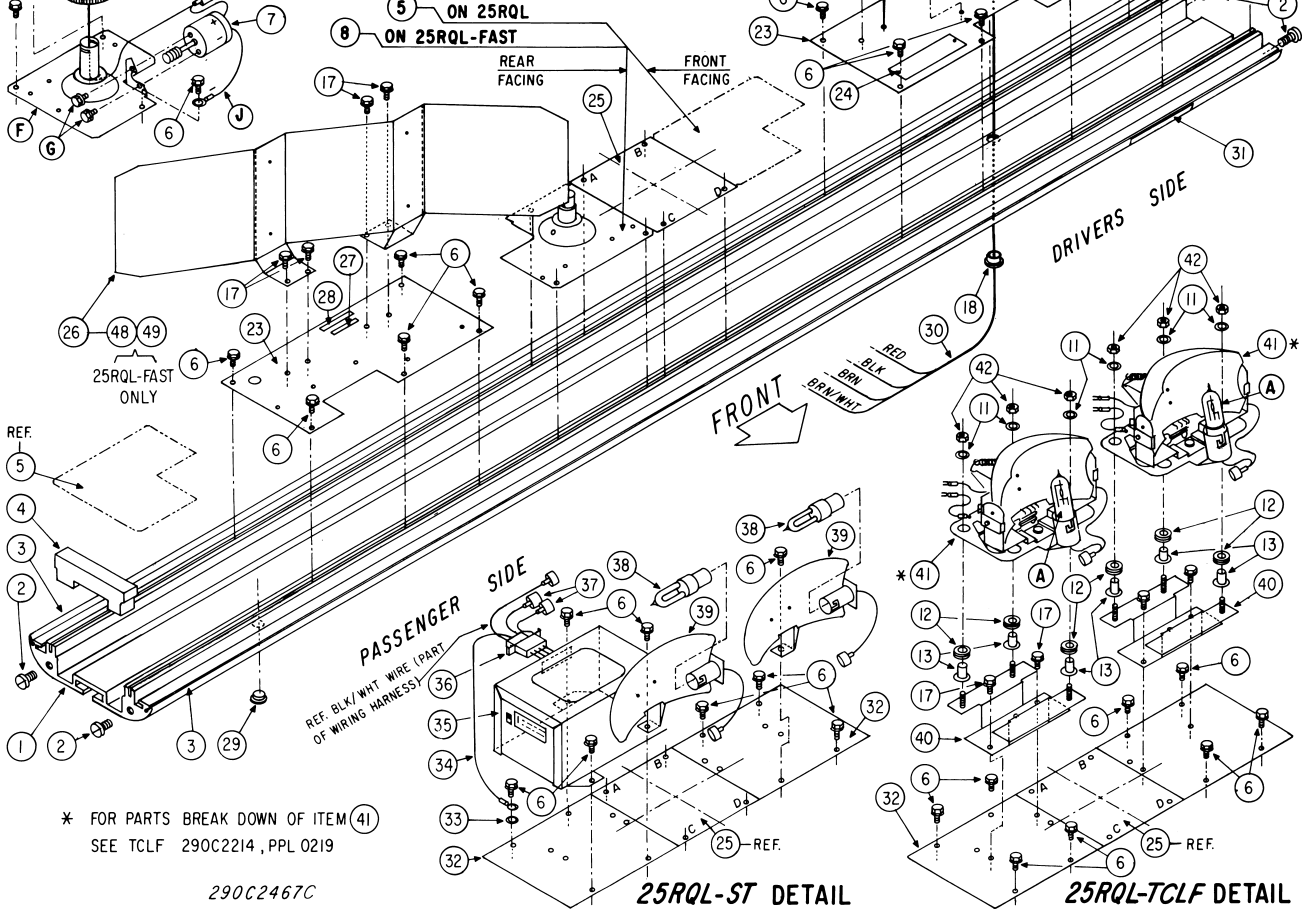
**25RQL**  
**DETAIL**

- 3 REQD. ON 25RQL
- 1 REQD. ON 25RQL-FAST
- 1 REQD. ON 25RQL-ST
- 1 REQD. ON 25RQL-TCLF



5 ON 25RQL  
8 ON 25RQL-FAST

REAR FACING FRONT FACING



\* FOR PARTS BREAK DOWN OF ITEM (41)  
SEE TCLF 290C2214, PPL 0219

290C2467C

**25RQL-ST DETAIL**

**25RQL-TCLF DETAIL**

**AeroDynic®**  
Models 25RQL, 25RQL-FAST, 25RQL-TCLF,  
and 25RQL-ST

PPL 0250  
PARTS LIST

Printed 1999

Item No.	Description	Part No.	Model 25 RQL			
			-FAST	-TCLF	-ST	
A/J	Common Parts, Lights					
A	Lamp, 55 W	Z8440A265A-01	AR	AR	AR	AR
B	Reflector & Gear Assembly	Z8559187B	AR	AR	AR	AR
C	Clip, Socket	Z8550133A	AR	AR	AR	AR
D	Wire Lead, +		AR	AR	AR	AR
E	Insulator, Socket	Z8559185A	AR	AR	AR	AR
F	Socket Assembly		AR	AR	AR	AR
	Socket Assembly, FAST		AR	AR	AR	AR
G	Screw 4-40 x 1/4 Hex Head	Z7006A016-04	AR	AR	AR	AR
H	Connector, Q.D., .250	Z224A216-02	AR	AR	AR	AR
I	Wire, Terminated		AR	AR	AR	AR
J	Wire, Terminated		AR	AR	AR	AR
1	Extrusion, Finished	Z8542478A	1	1	1	1
2	1/4-20 Screw, Trs. Hd.	Z7000A457-10	4	4	4	4
3	Gasket, Dome	Z8542A006A-01	2	2	2	2
4	Gasket, Extrusion End	Z8542480A	2	2	2	2
5	Rotating Light Assembly, ROT	AHRK	3	1	1	1
6	8-32 x 3/8 Screw, Hex Wsh. Hd., Thd. Frm.	Z7011A103-06	26	26	28	28
7	Motor & Worm Assembly, ROT	Z8559A055A	3	1	1	1
8	Rotating Light Assembly, ROT-FAST	AHRK-F	0	2	0	0
9	Motor & Worm Assembly, ROT-FAST	Z8559A055A-01	0	2	0	0
10	Wire, Terminated (ground)		0	2	0	0
11	Washer, Flat	Z7072A020	0	6	6	0
12	Grommet	Z8108A014	0	6	6	0
13	Bushing	Z8559A088A	0	6	6	0
14	Rotating Light Assembly W/Reversed Polarity (driver's side, end mtg. ONLY)		1	1	1	1
15	Motor & Worm Assembly, ROT (part of item 14)	Z8559A055A	1	1	1	1
16	Mirror Assembly, Driver's Side	Z8542C342A	1	0	1	1
17	8-32 x 3/8 Screw, Hex Wsh. Hd., Taptite		9	9	13	9
18	Bushing, Snap		2	2	2	2
19	Clamp, Cable	Z8542A028A-01	1	1	1	1
20	Lockwasher, Ext. Tth.	Z7075A025	1	1	1	1
21	8-32 x 1/2 Screw, Phl. Pan Hd., Thd. Frm.	Z7011A062-08	2	2	2	2
22	Terminal Block Assembly, 3 Pos.	Z229A190A	1	1	1	1
23	Plate, Mirror Mtg.	Z8542482A	2	2	2	2
24	Nameplate, Model	Z8146A653A-66	1	1	1	1
25	Plate, Center, Bulkhead Mtg.	Z8542A389A	1	1	1	1
26	Mirror Assembly, Passenger Side	Z8542C341A	1	0	1	1
27	Nameplate, SAE (2) W 82		1	1	1	1
28	Nameplate, SAE (2) W3 81		1	1	1	1
29	Plug, Hole	Z8542A102A	1	1	1	1
30	Cable, Power, 4 Conductor, 15ft.	Z175666A	1	1	1	1
31	Label, Warning	Z161A463A	1	1	1	1
32	Plate, Option	Z8542483A	0	0	2	2
33	Lockwasher, Int. Tth.	Z7075A014	0	0	0	1
34	Wire, Terminated, 18 AWG (black, ground)		0	0	0	1
35	J22 Power Supply Assembly	J22	0	0	0	1
36	Connector	Z139A141	0	0	0	1
37	Wire, Terminated, 18 AWG (red, to light)		0	0	0	2
38	Flash Tube Assembly	Z8107A127B	0	0	0	2
39	Reflector Assembly	Z8552A269A	0	0	0	2
40	Adaptor Plate Assembly, TCLF	Z8542B471B	0	0	2	0
41	Traffic Clearing Light Mechanism	Z8431060C	0	0	2	0
42	10-32 Nut, Hex, Dbl. Chmf.	Z7059A014	0	0	6	0
43	8-32 x 9/16 Screw, Hex Wsh. Hd., Thd. Frm.	Z7011A103-09	4	4	4	4
44	Bulkhead	Z8542D011A	1	1	1	1
45	Gasket, Bulkhead	Z8542A027A	2	2	2	2
46	• Dome, Driver's Side D-CRRRR-RRRRR	Z8542D168A-SPEC	0	0	1	0
47	• Dome, Driver's Side, D-RRRRR-CRRRR	Z8542D168A-SPEC	0	0	1	0
	• Note items 46 and 47 used with TCLF Only					
48	Mirror & Bracket Assembly, Right	Z8542536A	0	2	0	0
49	Mirror & Bracket Assembly, Left	Z8542537A	0	2	0	0
	• Note items 48 and 49 replace items 16 and 26 on 25RQL-FAST					

DO NOT ORDER PARTS BY ITEM NUMBER.  
Give model, description and part number.  
When a part number is not supplied, the part is **NOT** available.  
Refer to PARTS PRICE LIST (Part No. 1001) for prices of parts.

Federal Signal Corporation  
2645 Federal Signal Drive  
University Park, IL 60466

Printed in U.S.A.