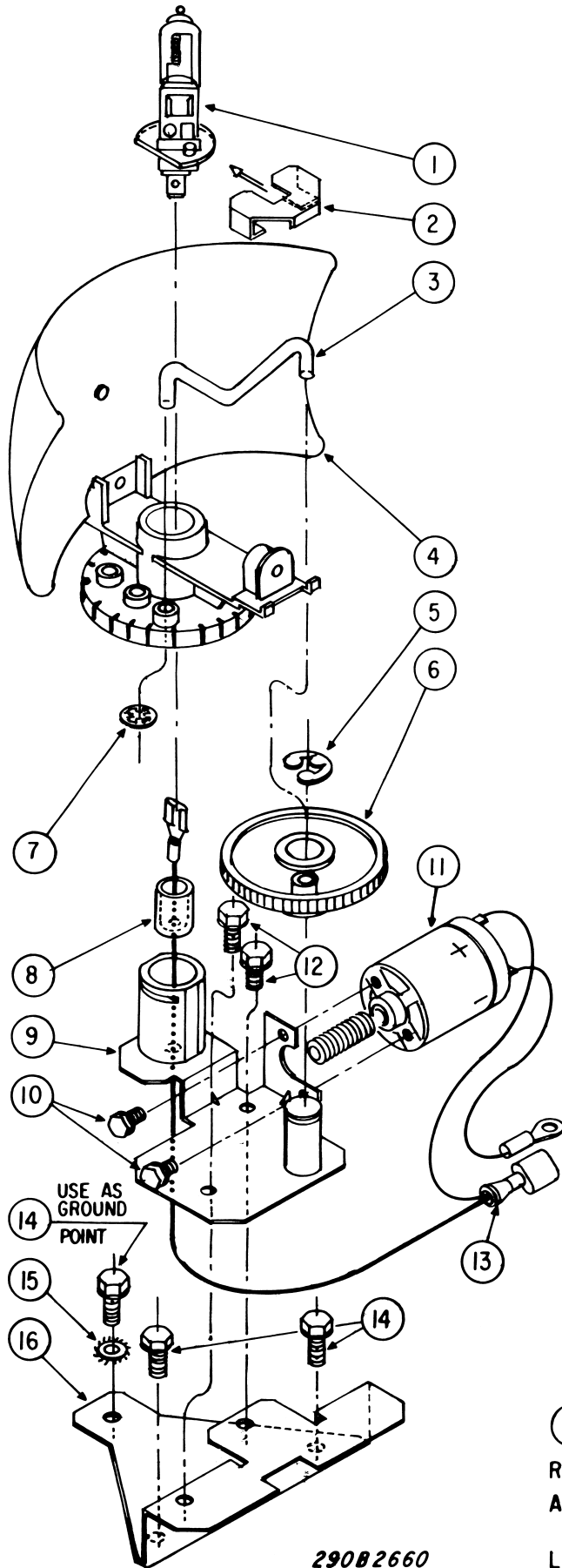
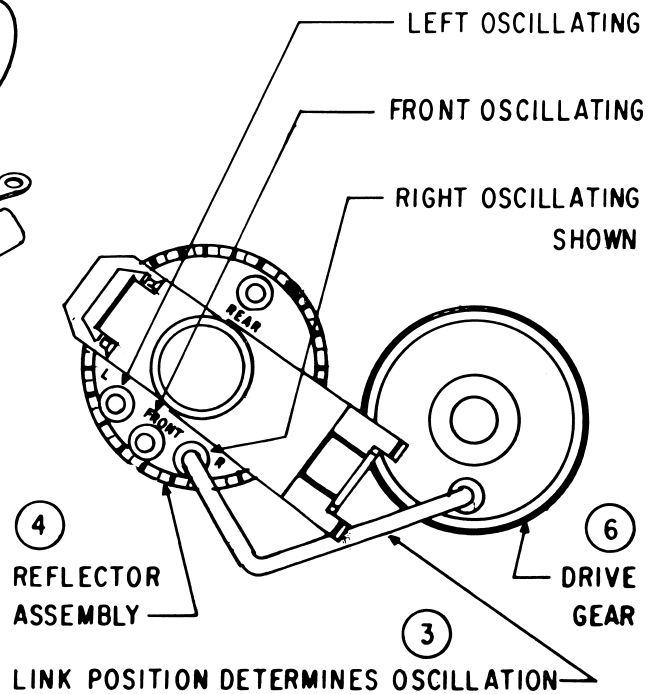


**DynaRay™**  
**SCICLK AND SCICLFK**  
**(CENTER MOUNTING)**



29082660



**DynaRay™**  
SCICLK and SCICLFK

PPL 0278  
PARTS LIST

Printed 1999

Item No.	Description	Part No.	Qty.
1/15	SCICLK, Standard, Right Oscillating	Z8559239B-01	AR
1/15	SCICLK, Standard, Left Oscillating	Z8559239B-02	AR
1/15	SCICLFK, Fast, Right Oscillating	Z8559240B-01	AR
1/15	SCICLFK, Fast, Left Oscillating	Z8559240B-02	AR
<u>Individual Parts</u>			
1	Lamp, 55W	Z8440A265A-01	1
2	Clip, Socket	Z8550133A	1
3	Link, Oscillating	Z8572230A	1
4	Reflector Assembly	Z8559187B	1
5	Ring, Retaining	Z8422A010	1
6	Gear, Worm (Drive Gear)	Z8422504C	1
7	Clip, Push	Z7060A022	1
8	Insulator, Socket	Z8559185A	1
9	Motor Support Assembly	Z8559238B	1
10	Screws, Motor, 4-40 x 1/4 Hex Hd Ind. Int., Sems	Z7006A016-04	2
11	Motor, Standard (12V 4200 RPM) SCICLK	Z8422B399A-01	1
	Motor, FAST (9V 5100 RPM) SCICLFK	Z8572233A	AR
12	Screw 8-32 x 3/8 Thd Frm Hex Wsh Hd.	Z7011A103-06	2
13	Terminal	Z224A216-02	1
14	Screw #10 Type B Thd. Frm Hex Wsh Hd.	Z7011A122-08	3
15	Lockwasher #10, Ext. Tooth (Ground)	Z7075A026	1
16	Bracket, Adaptor	Z8559241C	1

DO NOT ORDER PARTS BY ITEM NUMBER.  
Give model, description and part number.  
When a part number is not supplied, the part is **NOT** available.  
Refer to PARTS PRICE LIST (Part No. 1001) for prices of parts.

Federal Signal Corporation  
2645 Federal Signal Drive  
University Park, IL 60466

Printed in U.S.A.