

REAR
ROTATING LIGHT.
SEE DETAIL **D** OR **E**

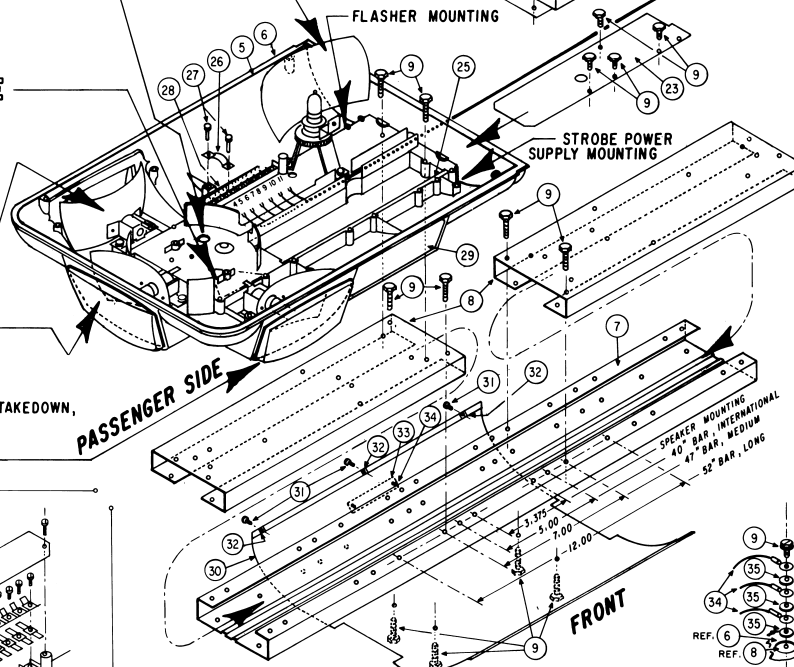
GROUND SCREW CLEARANCE HOLE.

FRONT
ROTATING LIGHT.
SEE DETAIL **D** OR **E**
(MOUNTING LOCATION)

REAR
DIRECTIONAL STROBE,
OR END LAMP.
SEE DETAIL **B**

ALLEY LIGHT.
SEE DETAIL **A**

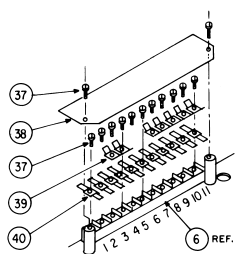
FRONT
DIRECTIONAL STROBE, TAKEDOWN,
OR END LAMP.
SEE DETAIL **C**



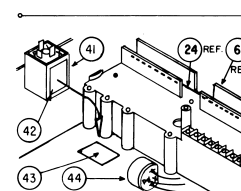
MODEL NUMBER (EXAMPLE)

S	I	T	S	H	-	I	-	A
---	---	---	---	---	---	---	---	---

A=(2) AMBER DOMES
 B=(2) BLUE DOMES
 C=(2) CLEAR DOMES
 R=(2) RED DOMES
 E=(2) C.I.E BLUE DOMES
 I= 40" LENGTH (INTERNATIONAL)
 M= 47" LENGTH (MEDIUM)
 L= 52" LENGTH (LONG)
 H=(1) 100 WATT SPEAKER
 S=(2) REAR DIRECTIONAL STROBE LIGHTS
 T=(1) TAKEDOWN LIGHT
 B=(2) TAKEDOWN LIGHTS
 D=(2) FRONT DIRECTIONAL STROBE LIGHTS
 C=(1) FRONT DIRECTIONAL STROBE LIGHTS &
 (1) TAKEDOWN LIGHT
 I=(4) ALTERNATING FLASHING LIGHTS, &
 (2) ALLEY LIGHTS
 BASIC STREETHAWK, WITH (4) ROTATING LIGHTS



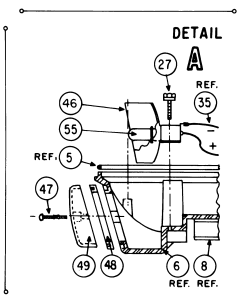
TERMINAL STRIP MOUNTING



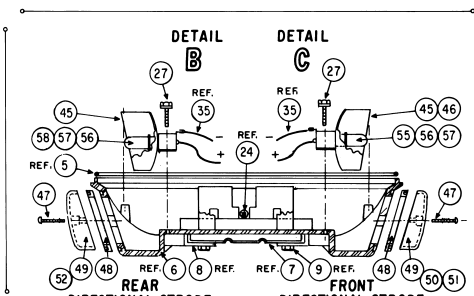
FLASHER MOUNTING

290C2090E

GROUND SCREW MOUNTING

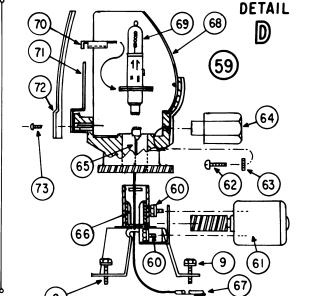


ALLEY LIGHT



REAR DIRECTIONAL STROBE, OR END LAMP

FRONT DIRECTIONAL STROBE, TAKEDOWN, OR END LAMP



NEW STYLE ROTATING LIGHT

