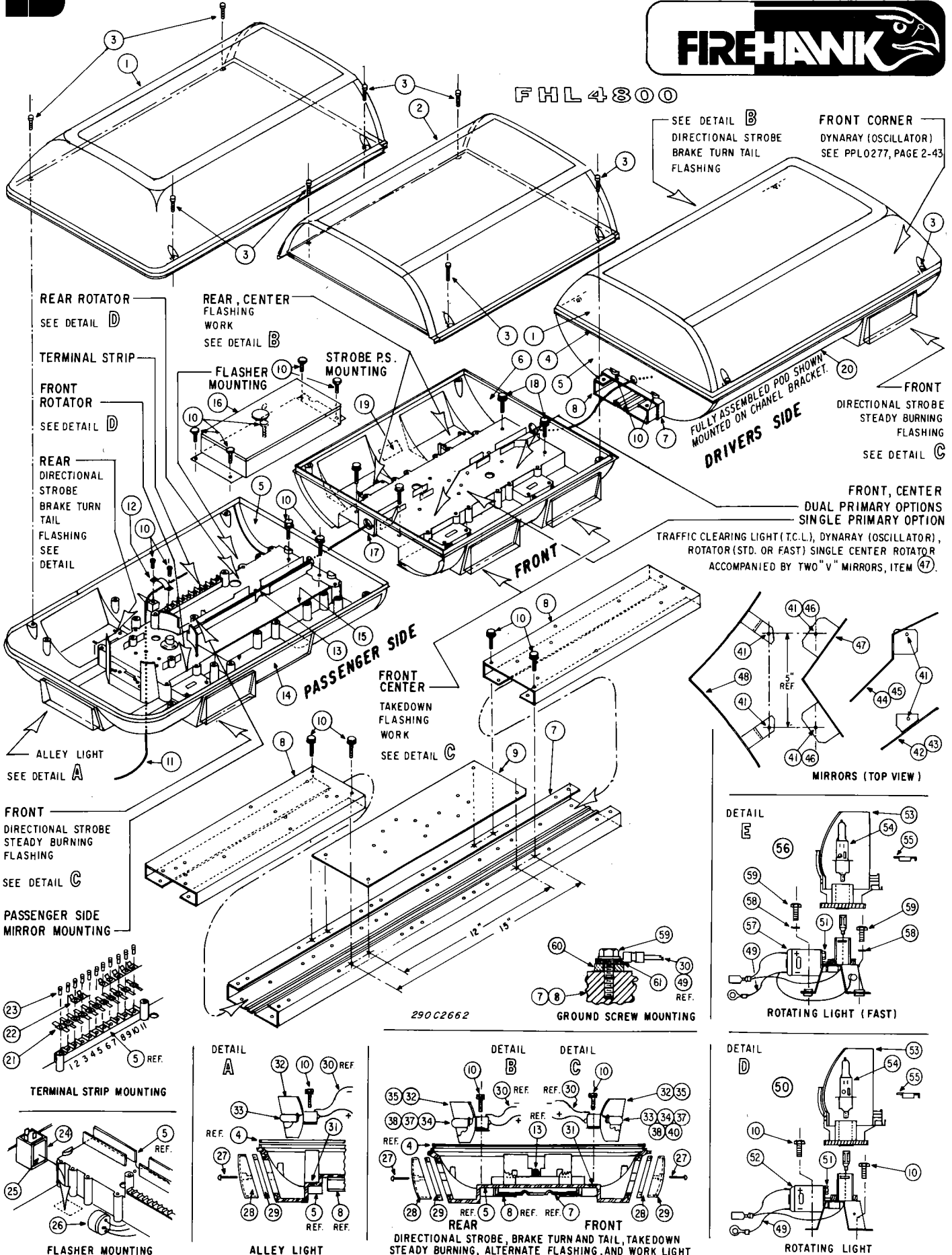




FHL 4800



# FireHawk®

PPL 0279  
Parts List

Model FHL4800

Printed 1994

Item No.	Description	Part Number	Qty
1	Dome, Clear	8559D042C	2AR
	Dome, Red	8559D042C-01	
	Dome, Amber	8559D042C-02	
	Dome, Blue	8559D042C-03	
	Dome, Green	8559D042C-04	
	Dome, CIE Blue	8559D042C-05	
2	Dome, Center, Clear	8559182A	1AR
	Dome, Center, Red	8559182A-01	
	Dome, Center, Amber	8559182A-02	
	Dome, Center, Blue	8559182A-03	
	Dome, Center, Green	8559182A-04	
	Dome, Center, CIE Blue	8559182A-05	
3	Screw, Mach. 8-32x7/8 Hex Head	7000A302-14	12
4	Gasket, Bulkhead 0.125 D x 37.5 lg.	8559A091B	3
5	Base, Red FHL4800	8559D038C-02	2
6	Base, Center, Red FHL4800	8559181A-02	1
7	Bracket, Channel	8559D040C	1
8	Bracket, Channel, Extension	8559D041C	2
9	Plate, Base, Center	8559191A	1
10	Screw, #10x1/2 Type B Thread	70011A122-08	14
11	Cable, Incoming, 11 Cond. 15'	175773A	1
12	Clamp, Cable	8559A001	1
13	Wire Harness	146977A	1
14	Name Plate FHL4800	8146949A01	2
15	Gasket, Base	8559A079A	2
16	Power Supply, J30 (Strobe Opt)	8559C100A	AR
17	Gasket, Center, Base	8559221A	2
18	Screw, #10x3/4 Type B Thread	7011A122-12	4
19	Name Plate FHL	81461133B-19	1
20	Label, Warning	161A463A	1
21	Terminal, Tab 250 (Flat)	233A181A	14
22	Terminal, Tab 250 x 45 degrees	233A184A	7
23	Screw, #8 Type B Thread	7011A030-06	14
24	Flasher, Final Assembly	8554B010B	1
25	Pad Adhesive	8537A533	1
26	Connector, Flasher	8443A015-02	1
27	Screw, #6-19x7/8, Hi-Lo	7017A035-14	20
28	Lens, Clear	8559D043B	10 AR
	Lens, Red	8559D043B-01	
	Lens, Amber	8559D043B-02	
	Lens, Black	8559D043B-03	
	Lens, Blue	8559D043B-04	
	Lens, CIE Blue	8559D043B-05	
29	Gasket, Neoprene	85591610B	10
30	Wire, Terminated (ground)		AR
31	Spacer, Steel	8559A004A	2
32	Stationary Light	8559A052A	2
33	Lamp, 50W, Sylvania	8107A119A	2
34	Tail/Parking Light Assy. (3 leads)	8559A053A	2
35	Lamp 12V #1157	8107A095A	2
36	Adapter, Terminal (to pin 8, item 5)	233A182A	1
37	Flash Tube Assembly	8107A127B	2
38	Lamp, Sylvania	8548A028A	2
39	Cable Assembly (Not Shown)	146A683A	1
40	Stationary Light	8559A089A	1
41	Screw, #10x3/8 Type B Thread	7011A146-06	2

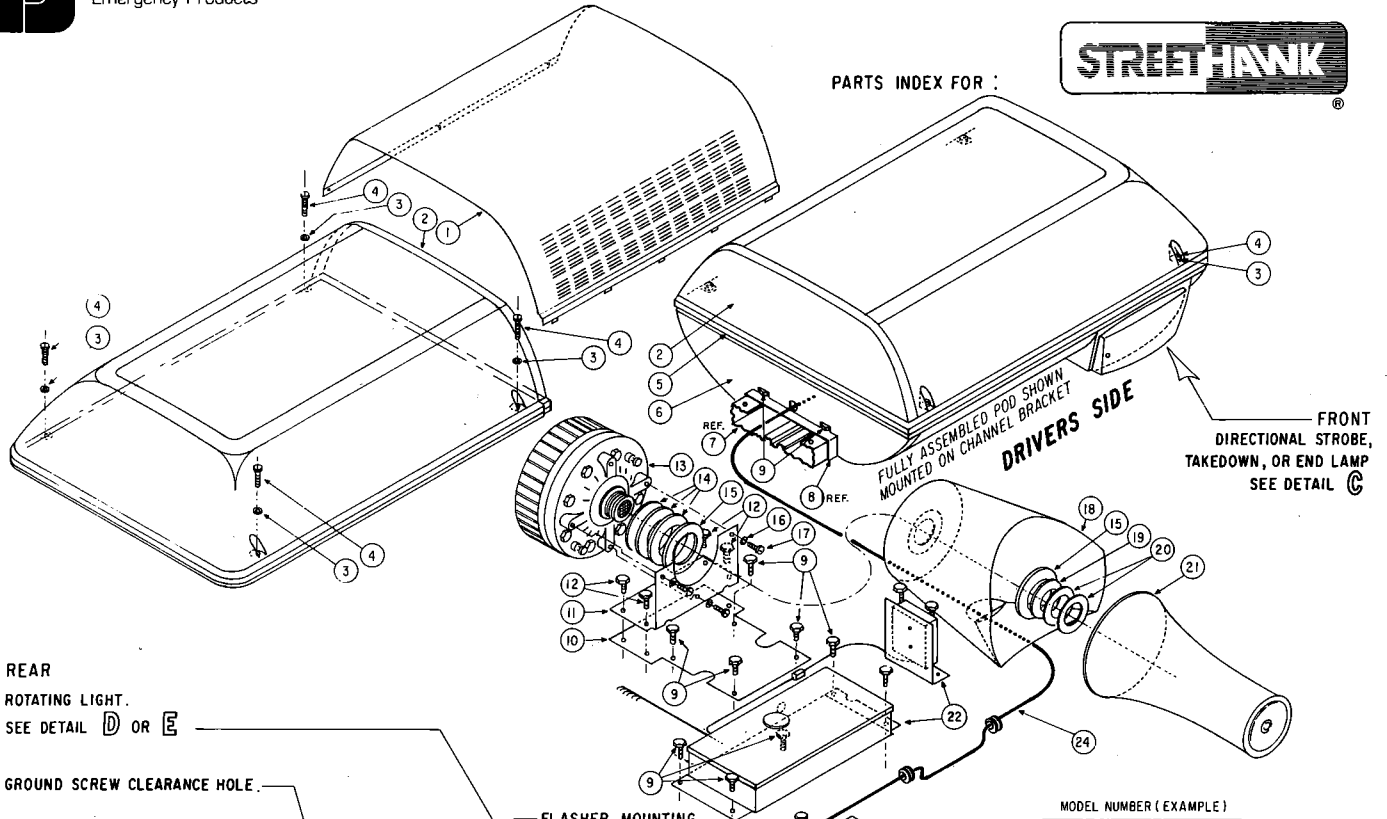
Item No.	Description	Part Number	Qty
42	Diagonal Mirror Psg. Side (shown)	8559B082B	1
43	Diagonal Mirror Drivers Side	8559B083B	1
44	Cascade Mirror, Psg Side (shown)	8559246A	1
45	Cascade Mirror, Drivers Side	8559245A	1
46	Washer, Flat	7072A020	4
47	V-Mirror	8559198A	2
48	V-Mirror Assembly	8559C125A	2
49	Wire Terminated (ground)		1
50	Rotating Light Assembly (Std)	8559B060B-01	1
51	Screw, Mach 4-40 x 1/4 Hex Head	7006A016-04	2
52	Motor and Worm Gear Assy 12v	8559A055A	1
53	Reflector and Gear Assembly	8559187B	1
54	Lamp, Halogen 55W	8440A265A-01	1
55	Clip, Socket	8550133A	1
56	Rotating Light Assembly (Fast)	8559B060B-02	1
57	Motor and Worm Gear Assy (9V)	8559A055A-01	1
58	Washer, Flat	7072A020	3
59	Screw #10x3/4 Type B, Hex Wsh Hd	7011A122-12	3
60	Spacer, Brass	8559A000A	1
61	Lockwasher, #10 Ext. Tooth	7075A026	1
	Alley Light (pair). Detail A. Consists of 10, 27-33.	SA-A	
	Brake Turn and Tail (pair). Detail B-C. Consists of 10, 27-30, 34-36	SBTT-A	
	Directional Strobe. Detail B-C. Consists of 10, 16, 27-30, 32, 37	SDA-A	
	Flasher, Four Alternate See Flasher Mounting. Consists of 10, 24-26, 32, 38, 39	SFL4-A	
	Flasher, Two Alternate (qty 2) See Flasher Mounting. Consists of 10, 24-26, 32, 38, 39	SFL-A	
	Steady Burn, Red. Detail B-C. Consists of 10, 27-30, 33, 40	SCAL-A	
	Takedown. Detail B-C. Consists of 10, 27-33	STD-A	
	Work Light. Detail B-C. Consists of 10, 27-33	SWL-A	
	Diagonal Mirror (pair) Consists of 41-43	SMIR-A	
	V-Mirrors (pair) Used in center section w/ single light option. Consists of 41, 46, 47	SVMIR-A	
	Rotating Light Assembly (standard) SROT-A Detail D. Consists of 10, 49, 51-55		
	Rotating Assembly (fast) Detail D. Consists of 49, 51, 53, 57-59	SFAST-A	
Not Shown			
	Traffic Clearing Light	refer to page 2-61	AR
	DynaRay Oscillating Light (corner)	refer to page 2-43	AR
	DynaRay Oscillating Light (center)	refer to page 2-45	AR
	Rotating Assy International	8559059B-02	AR

DO NOT ORDER PARTS BY INDEX NUMBER. give model, voltage, description, and part number.  
When a part number is not supplied, the part is NOT available.  
Refer to PARTS PRICE LIST (PART No. 1001) for prices of parts.

Federal Signal Corporation  
2645 Federal Signal Drive  
University Park, IL 60466



PARTS INDEX FOR :



REAR  
ROTATING LIGHT.  
SEE DETAIL **D** OR **E**

GROUND SCREW CLEARANCE HOLE.

FRONT  
ROTATING LIGHT.  
SEE DETAIL **D** OR **E**  
(MOUNTING LOCATION)

REAR  
DIRECTIONAL STROBE,  
OR END LAMP.  
SEE DETAIL **B**

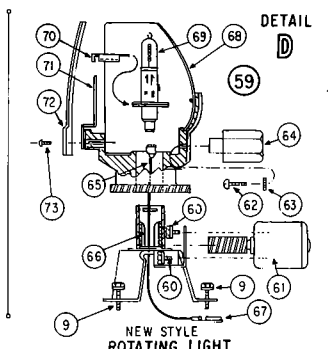
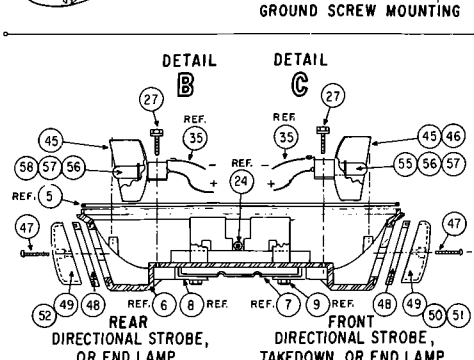
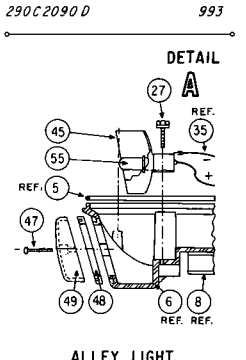
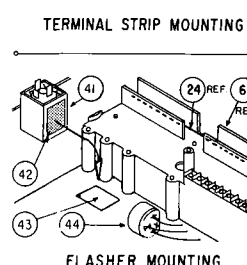
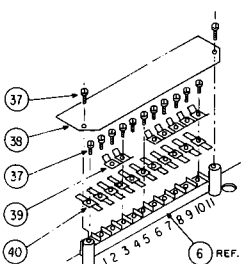
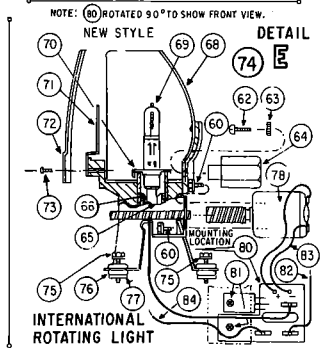
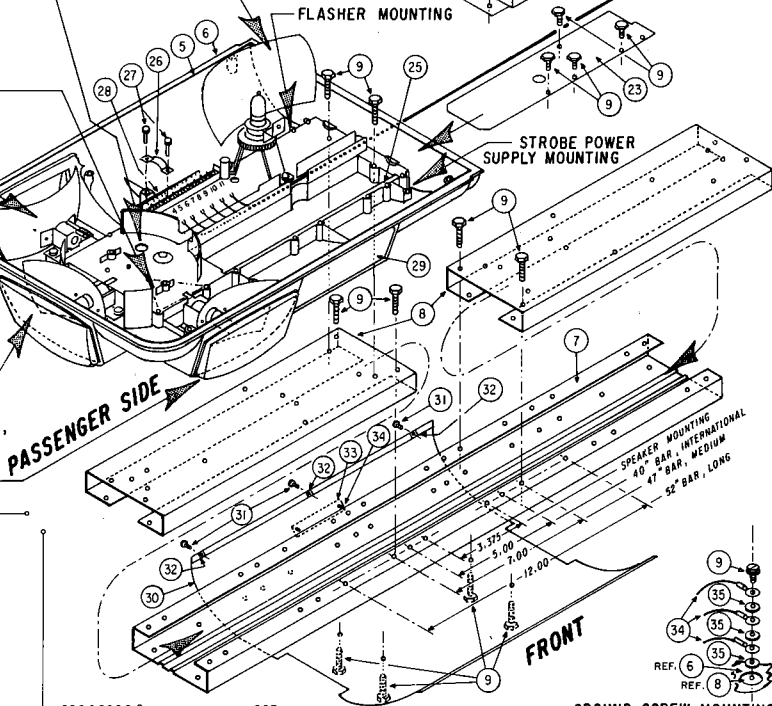
ALLEY LIGHT.  
SEE DETAIL **A**

FRONT  
DIRECTIONAL STROBE, TAKEDOWN,  
OR END LAMP.  
SEE DETAIL **C**

MODEL NUMBER (EXAMPLE)

S	I	T	S	H	*	I	-	A
---	---	---	---	---	---	---	---	---

A=(2) AMBER DOMES  
 B=(2) BLUE DOMES  
 C=(2) CLEAR DOMES  
 R=(2) RED DOMES  
 E=(2) C.I.E BLUE DOMES  
 I=40" LENGTH (INTERNATIONAL)  
 M=47" LENGTH (MEDIUM)  
 L=52" LENGTH (LONG)  
 H=(1) 100 WATT SPEAKER  
 S=(2) REAR DIRECTIONAL STROBE LIGHTS  
 T=(1) TAKEDOWN LIGHT  
 B=(2) TAKEDOWN LIGHTS  
 D=(2) FRONT DIRECTIONAL STROBE LIGHTS  
 C=(1) FRONT DIRECTIONAL STROBE LIGHTS & (1) TAKEDOWN LIGHT  
 I=(4) ALTERNATING FLASHING LIGHTS, & (2) ALLEY LIGHTS  
 BASIC STREETHAWK, WITH (4) ROTATING LIGHTS



Item No.	Description	Part Number	S	I	T	B	D	C	S	H	I	M	L
1	Grille, Upper, 40" Bar, International	8559D047B										1	
	Grille, Upper, 47" Bar, Medium (shown)	8559D049B										1	
	Grille, Upper, 52" Bar, Long	8559D049B											1
2	Dome, Clear	8559D042C											
	Dome, Red	8559D042C-01											
	Dome, Amber	8559D042C-02			2								
	Dome, Blue	8559D042C-03			A								
	Dome, Green	8559D042C-04			R								
	Dome, C.I.E. Blue	8559D042C-05											
3	No. 8 Washer, Flat Nylon	7072A218	8										
4	8-32 x 7/8 Mach. Screw, Slit. Ind. Hex Hd.	7000A302-14	8										
5	Gasket, Bulkhead, 0.125 Dia. x 57.75 Lg.	8559A091B	2										
6	Base	8559D038C	2										
7	Bracket, Channel, 25" Lg.	8559D040C	1										
8	Bracket, Channel, Extension 13.81" Lg.	8559D041C	2										
9	No. 10 x 1/2 Screw, Type B Thd. Frm. Hex.	7011A122-08	20										
10	Mounting Plate, Speaker	8559C031A									1		
11	Support, Speaker	8559C032A									1		
12	1/4-20 x 3/8 Screw, Thd. Frm. Hex. Hd.	7011A118-08									4		
13	Driver Assembly	8559C053A-01									1		
14	Washer, Flat 1.375 ID x 1.875 OD x .062	7072A137A							3				
15	Washer, Velutex 1.375 ID x 1.875 OD x .015	8283A451							2				
16	Lockwasher, 1/4 Screw, Ext. Tooth	7075A007							3				
17	1/4-20 x 1/2 Screw, Mach. Slit. Pan Hd.	7000A412-08							3				
18	Speaker Projector, Finished (shown)	8559C093A										1	1
	Speaker Projector, International	8559C036A										1	
19	Washer, Rubber, 3/4 ID x 1-5/16 OD x .052	8283A453									1		
20	Washer, Velutex, 3/4 ID x 1-5/16 OD x .097	8283A452									2		
21	Cone, Long, Gray (shown)	8283B1001A										1	1
	Cone, International, Black	8283B500-01										1	
22	Strobe Power Supply J30 (if used, 1 less item 23 req)	8559C100A					1	1	1				
23	Plate, Cover (see item 22)	8559B021A	2				1	1	1				
24	Wire Harness (pod to pod)	146B877A	1	1									
25	Gasket, Base	8559A079A	2										
26	Clamp, Cable	8559A001A	1										
27	No. 10 x 1/2 Screw, Hex. Wsh. Hd.	7017A034-08	2										
28	Cable Assembly, 11-conductor	175A572A	1										
29	Nameplate, Streethawk	8146B949A	2										
30	Grille, Lower, 40" Bar, International	8559D044B										1	
	Grille, Lower, 47" Bar, Medium (shown)	8559D045B										1	
	Grille, Lower, 52" Bar, Long	8559D046B											1
31	Screw, 8-32 x 3/8 Pan Hd.	7011A135-08	3										
32	Clip, Tinnerman	7060A018A	3										
33	Rivet, Pop, 7/32 Lg.	7099A105-14	2										
34	Nameplate (Model, Series, Volts)	8146A947A	1										
35	Wire, Terminated												6
36	Spacer, Brass	8559A000B											6
37	Screw, No. 8 x 3/8, Type B	7011A030-06	26										
38	Cover, Terminal Block	8559A009A	2										
39	Terminal, Tab 250-45"	233A184	14										
40	Terminal, Tab 250	233A181	22										
41	Flasher	8554B010B	1										
42	Velcro Loop (on flasher)	8559A147A	1										
43	Velcro Hook (on base)	8559A148A	1										
44	Connector, Sealed Beam	8443A015A-01	1										
45/48	Stationary Lights, Com. Parts, Details A-B-C												
45	Spacer, Steel (Takedown only)	8559A004A			1	2	1						
46	Stationary Light Assembly	8559A052A	6										
47	Screw, No. 6 x 3/4 Phil. Pan Hd.	7017A035-14	12										
48	Gasket, Lens	8559160B	6										
49/59	Stationary Lights, Ind. Parts, Details A-B-C												
49	Lens, Clear (Directional Strobe or Alley)	8559D043B	2	1		2	1						
50	Lens, Red (Takedown)	8559D043B-01	1	2		1							

Item No.	Description	Part Number	S	I	T	B	D	C	S	H	I	M	L
51	Lens, Amber (End Lamp)	8559D043B-02		4									
52	Lens, Black	8559D043B-03	6										
53	Lens, Blue (optional)	8559D043B-04											
54	Lens, C.I.E. Blue (optional)	8559D043B-05											
55	Lamp, 50W (Alley, Takedown or Flood)	8107A119A	2	1	2	1							
56	Lamp, 35W (End Lamp)	8548A028A	4										
57	Lamp (Directional Strobe)	8107A127B					2	1	2				
58	Lamp, Dual Fil. (Brake/Tail) (optional)	8107A095A											
59	Rotator Assy Std. (detail D)	8559B060B-01	4										
60	Screw, 4-40 x 3/16 Mach Hex Hd.	7006A016-03	8									4	
61	Motor and Worm Assembly	8559A055A	4										
	Motor and Worm Assembly, FAST	8559A055A-01	AR										
62	Screw, 10-32 x 3/8 Mach. Slit. Rd. Hd.	7000A068-06	4									4	
63	Lockwasher No. 10 Ext. Tooth	7075A026	4									4	
64	Counterweight	8559A073A	4									4	
65	Wire Lead (+)		4									4	
66	Insulator, Socket	8559185A	4									4	
67	Terminal Lug Piggy Back	224A159	4										
68	Reflector and Gear Assy (blk gear)	8559187B	4									4	
	Reflector & Gear Assy (wht gear)	8559A153A (obs)											
	Order item 59 or 74 as replacement.												
69	Lamp, 55 W (spade type)	9440A265-01	4									4	
	Lamp, 50 W (bayonet type)	8107141A	4									4	
70	Clip, Socket	8550133A	4									4	
71	Shield, Heat	8559186A	4									4	
72	Lens, Red	8559C030A											
	Lens, Amber	8559C030A01	4									4	
	Lens, Blue	8559C030A02	AR										AR
	Lens, CIE Blue	8559C030A03											
	Lens, Green	8559C030A04											
73	Screw No. 8 Type B Thd Frm., Phil Pan Hd.	7011A069-08	4									4	
74	Rotator Assy Fast (detail E)	8559B060B-02										4	
	Rotator Assy Intl (detail E)	8559B059B-02										4	
75	Screw, No. 10 x 3/4 Type B	7011A122-12											12
76	Grommet, Rubber	8108A014											12
77	Bushing	8559A098A											12
78	Motor and Worm Assembly	8559A076A											4
79	Wire, Terminated Red												4
80	Regulator, P.C. Board	200B1001B											4
81	Screw No. 6 Type B, Thd Frm	7011A041-04											8
	Lockwasher (between items 74 and 80)	7075A002											8
82	Wire, Terminated POS (+)												4
83	Wire, Terminated												4
84	Wire, Terminated GND (-)												4

DO NOT ORDER PARTS BY ITEM NUMBER.

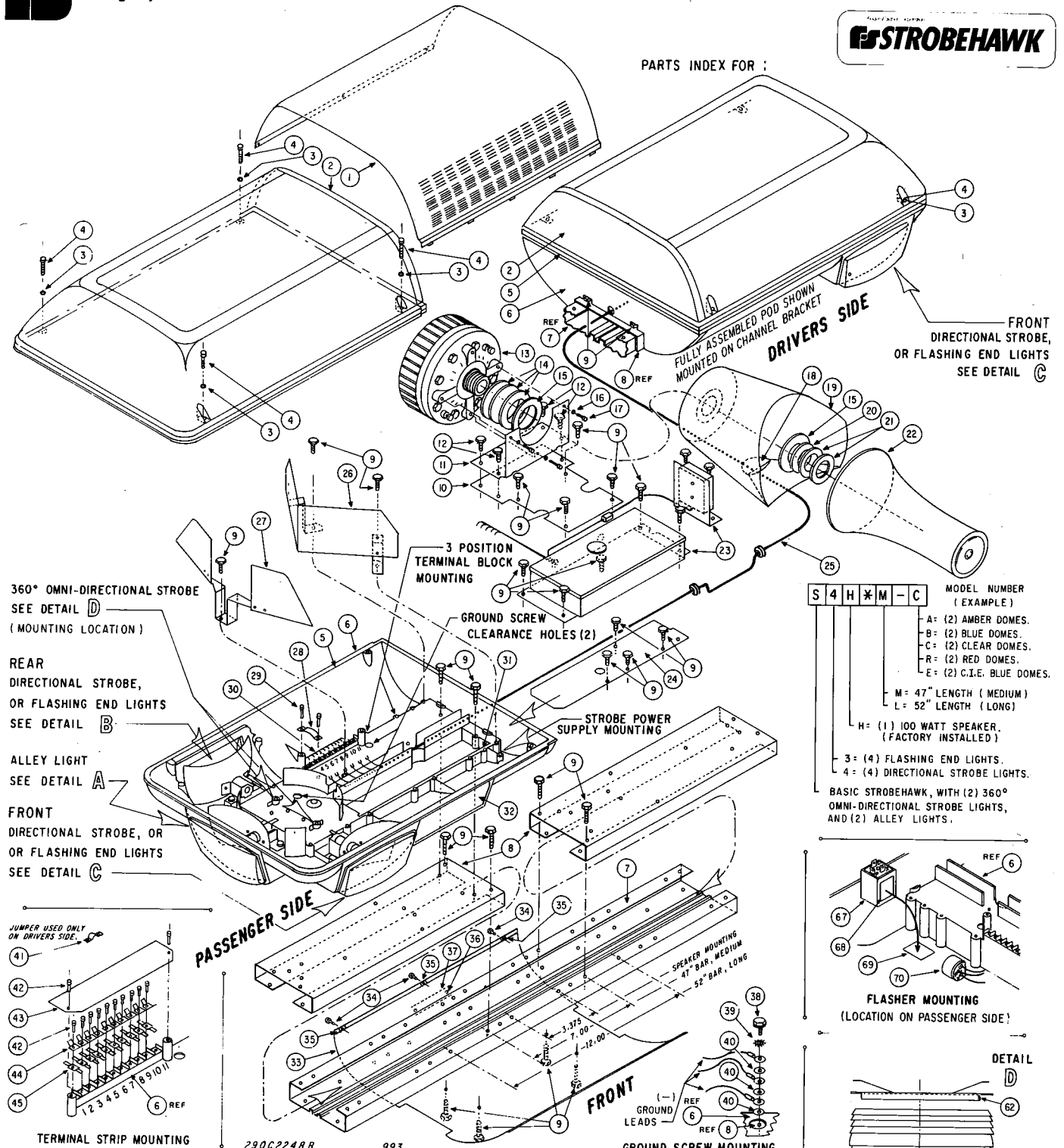
Give model, voltage, description and part number.

If a part number is not supplied, the part is NOT available.

Refer to PARTS PRICE LIST (Part No. 1001) for prices of parts.

Federal Signal Corporation  
2845 Federal Signal Drive  
University Park, IL 60466

PARTS INDEX FOR :



MODEL NUMBER (EXAMPLE)

S	4	H	M	C
---	---	---	---	---

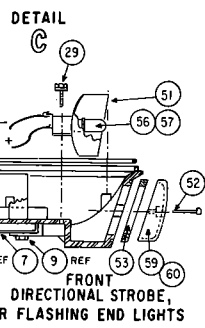
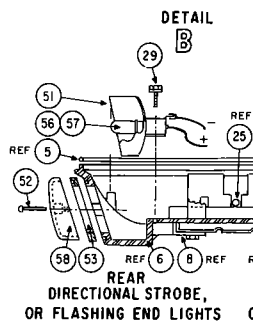
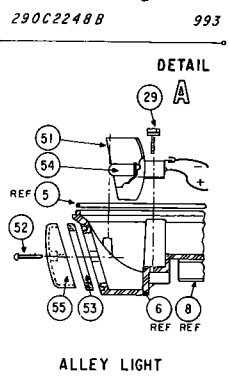
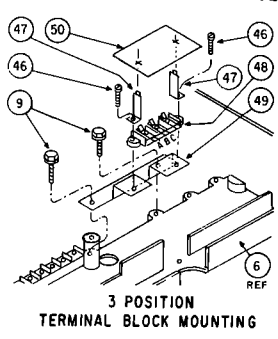
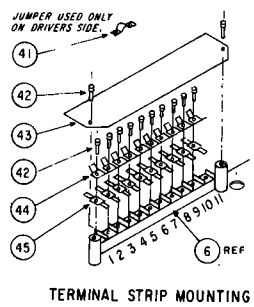
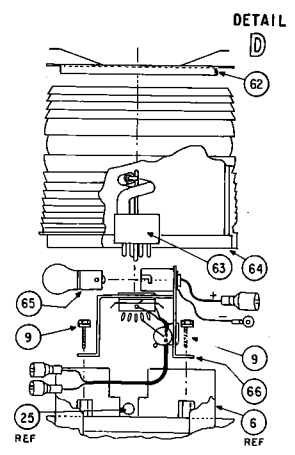
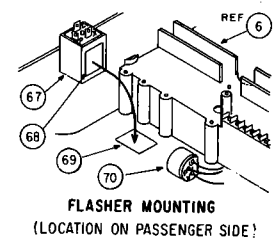
A: (2) AMBER DOMES.  
 B: (2) BLUE DOMES.  
 C: (2) CLEAR DOMES.  
 R: (2) RED DOMES.  
 E: (2) C.I.E. BLUE DOMES.

M = 47" LENGTH (MEDIUM)  
 L = 52" LENGTH (LONG)

H = (1) 100 WATT SPEAKER.  
 (FACTORY INSTALLED)

3 = (4) FLASHING END LIGHTS.  
 4 = (4) DIRECTIONAL STROBE LIGHTS.

BASIC STROBEHAWK, WITH (2) 360° OMNI-DIRECTIONAL STROBE LIGHTS, AND (2) ALLEY LIGHTS.



**STROBEHAWK™**

Printed 1994

**PPL 0226  
PARTS LIST**

Item No.	Description	Part Number	S	3	4	H	M	L	C
1	Grille, Upper, 47" Bar (shown)	8559D048B						1	
	Grille, Upper, 52" Bar	8559D049B							1
2	Dome, Clear	8559D042C							
	Dome, Red	8559D042C-01	2						
	Dome, Amber	8559D042C-02	A						
	Dome, Blue	8559D042C-03	R						
	Dome, Green	8559D042C-04							
	Dome, C.I.E. Blue	8559D042C-05							
3	Washer, #8, Flat Nylon	7072A218	8						
4	8-32 x 7/8 Mech. Screw, Slt. Ind. Hex Hd.	7000A302-14	8						
5	Gasket, Bulkhead, 0.125 Dia. x 57.75" Lg.	8559A091B	2						
6	Base	8559D038C	2						
7	Bracket, Channel 28" Lg.	8559D040C	1						
8	Bracket, Channel, Extension 13.81" Lg.	8559D041C	2						
9	No. 10 x 1/2 Screw, Type B Thd. Fm. Hex Hd.	7011A146-08	46						
10	Mounting Plate, Speaker	8559C091A				1			
11	Support, Speaker	8559C092A				1			
12	1/4-20 x 3/8 Screw, Thd. Fm. Hex Hd.	7011A118-06				4			
13	Driver Assembly, 100W	8556C059A-01				1			
14	Washer, Flat 1.375 ID x 1.875 OD x .062	7072A137A				3			
15	Washer, Vellutex 1.375 ID x 1.875 OD x .015	8283A451				2			
16	Lockwasher, 1/4 Screw, Ext. Tooth	7075A007				3			
17	1/4-20 x 1/2 Screw, Mach. Slt. Pan Hd.	7000A412-08				3			
18	Gasket, Dome	8559A005A				1			
19	Speaker Projector, Finished	8559C093A				1			
20	Washer, Rubber, 3/4 ID x 1-5/16 OD x .052	8283A453				1			
21	Washer, Vellutex, 3/4 ID x 1-5/16 OD x .097	8283A452				2			
22	Cone, Long, Gray	8283B1001A				1			
23	Strobe Power Supply J60 (incl. Capacitor Assy.)	8559C141A				1	2		
24	Plate, Cover (Item 31 required)	8559B021A				1			
25	Wire Harness (pod to pod)	175C596A				1			
26	V-Mirror Assy.	8559C125A				2			
27	Center Mirror Assy.	8559C124A				2			
28	Clamp, Cable	8559A001B				1			
29	No. 10 x 1/2 Screw, Hex Wh. Hd.	7017A034-08				14			
30	Cable Assembly, 11-conductor	175A572A				1			
31	Gasket, Base (used with item 24)	8559A079A				1			
32	Nameplate (StrobeHawk)	8146B1002A				2			
33	Grille, Lower, 47" Bar (shown)	8559D045B						1	
	Grille, Lower, 52" Bar	8559D046B							1
34	No. 10 x 3/4 Screw, Type B Thd. Fm. Hex Hd.	7011A135-08				3			
35	Clip, Tinnerman	7060A018A				3			
36	Rivet, Pop. 7/32 Lg.	7099A105-14				2			
37	Nameplate (Model, Series, Volts)	8146A947A				1			
38	Ground Screw, No. 10 x 3/4 Type B	7011A146-12				3			
39	No. 10 Lockwasher, Ext. Tooth	7075A026				3			
40	Spacer, Brass (ground screw mtg)	8559A000A				9			
41	Jumpers, Brass	233A196A				1			
42	No. 8 x 3/8 Screw Type B Thd Fm. Pan Hd.	7011A080-06				24			
43	Cover, Terminal Strip	8559A003A				2			
44	Terminal, Tab 250-45°	233A184				20			
45	Terminal, Tab 250	233A181				20			
46	6-92 x 5/8 Screw, Thd. Fm. Tapita, Pan Hd.	7011A058-10				2			
47	Latch, Terminal Cover (2 suppl. with item 49)					2			
48	Terminal Block Assy.	229A190				1			
49	Bracket, 3-position Terminal Mtg	8559A130A				1			

Item No.	Description	Part Number	S	3	4	H	M	L	C
50	Cover, Terminal Strip (w/latches -2)	164A130						1	
51/53	Stationary Lights, Com. Parts, Details A-B-C	8559A052A						6	
51	Stationary Light Assy.	7017A035-14						12	
52	No. 6 x 3/4 Screw Pan Hd.	8559160B						6	
53	Gasket, Lens	8107A119A						2	
54	Lamp, Clear, Alley Light	8559D043B						2	
55	Lamp, Flashing End Lamp, 35W	8548A028A						4	
56	Lamp, Directional Strobe	8107A127B						4	
57	Lens, Amber (rear facing end light)	8559D043B-02						2	2
58	Lens, Red (front facing, passenger side)	8559D043B-01						1	1
59	Lens, Blue (front facing, drivers side)	8559D043B-04						1	1
60	360° Omni-Directional Strobe, Detail D								
61/66	Reflector, Heat	8559C113A						2	
62	Flash Tube, Strobe	8422A420A						2	
63	Fresnel Lens, Strobe, Clear	8559C025A						2	
64	Lamp, Amber Fixation, #114A, 12-volt	8107A110A						2	
65	Bracket Assembly, Strobe	8559A051A						2	
66	Flasher Mounting								
67/70	Flasher, Alternating, 12-volt	8554B010B						1	
67	Velcro Loop (on flasher)	8559A147A						1	
68	Velcro Hook (on base)	8559A148A						1	
69	Connector, Sealed Beam	8443A015-02						1	

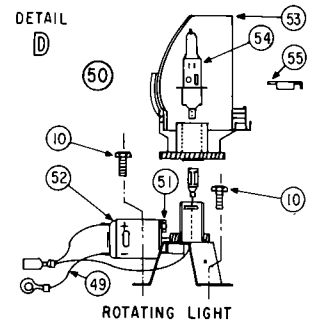
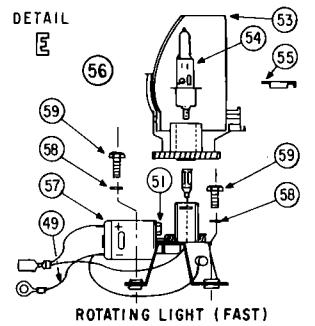
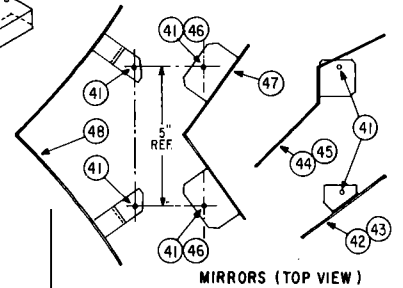
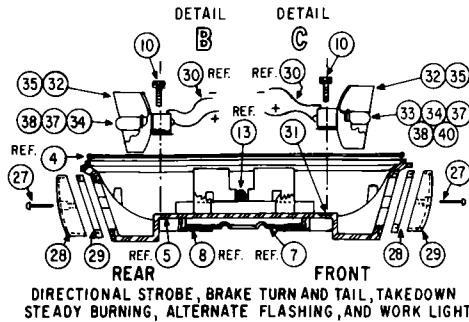
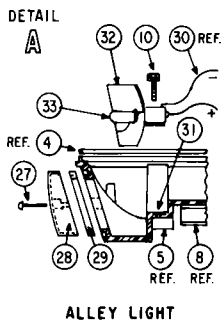
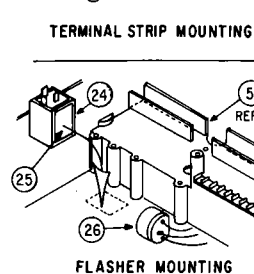
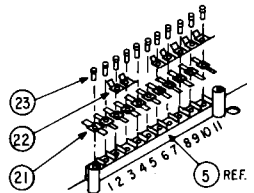
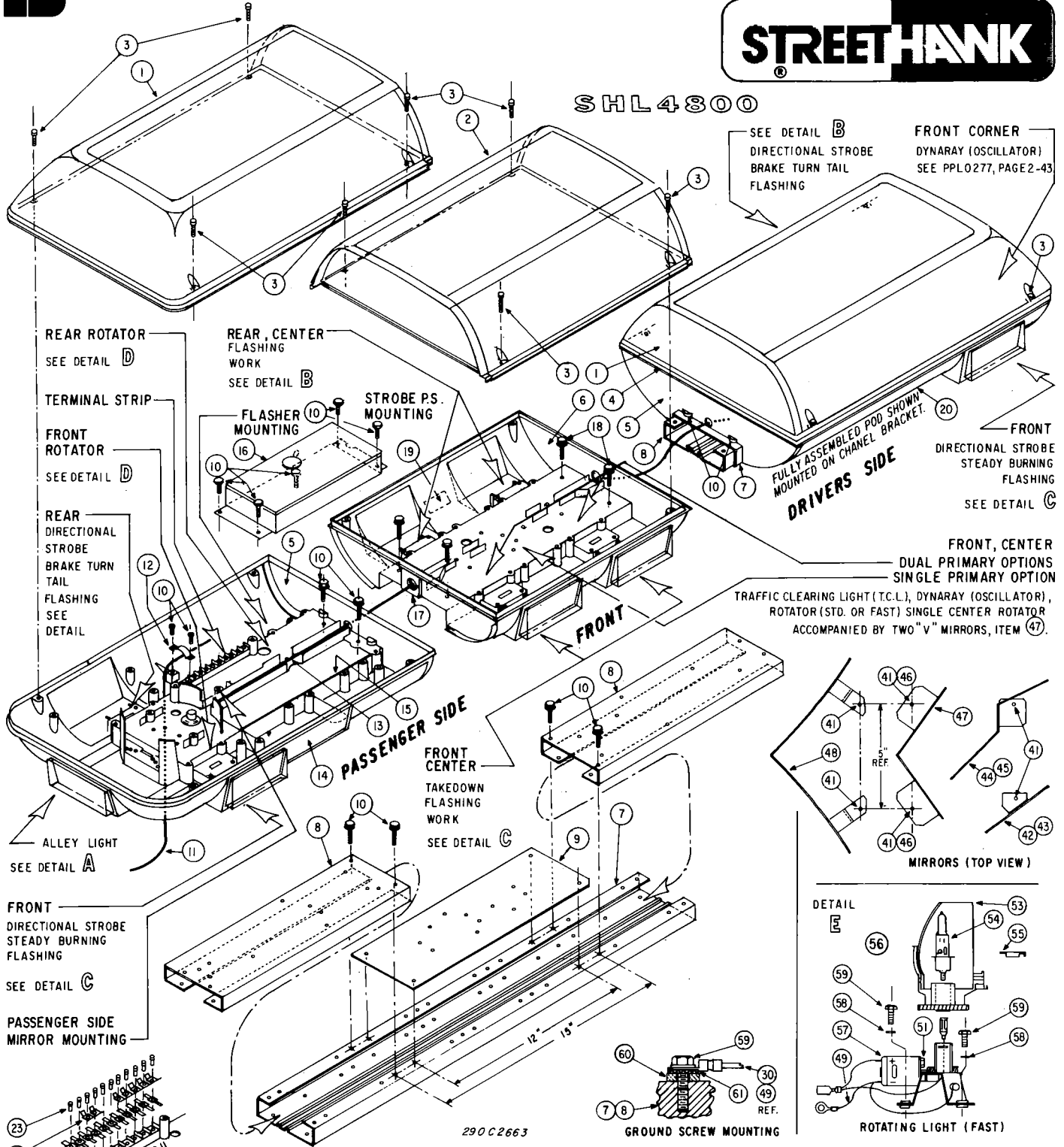
If rotator assemblies are used in conjunction with strobe assemblies, refer to StreetHawk (page 1-57) for parts.

DO NOT ORDER PARTS BY ITEM NUMBER.  
Give model, voltage, description and part number.  
If a part number is not supplied, the part is NOT available.  
Refer to PARTS PRICE LIST (Part No. 1001) for prices of parts.  
Federal Signal Corporation  
2645 Federal Signal Drive  
University Park, IL 60466

Printed in U.S.A.

# STREETHANK

SHL4800



# StreetHawk®

PPL 0280  
Parts List

Model SHL4800

Printed 1994

Item No.	Description	Part Number	Qty
1	Dome, Clear	8559D042C	2AR
	Dome, Red	8559D042C-01	
	Dome, Amber	8559D042C-02	
	Dome, Blue	8559D042C-03	
	Dome, Green	8559D042C-04	
	Dome, CIE Blue	8559D042C-05	
2	Dome, Center, Clear	8559182A	1AR
	Dome, Center, Red	8559182A-01	
	Dome, Center, Amber	8559182A-02	
	Dome, Center, Blue	8559182A-03	
	Dome, Center, Green	8559182A-04	
	Dome, Center, CIE Blue	8559182A-05	
3	Screw, Mach. 8-32x7/8 Hex Head	7000A302-14	12
4	Gasket, Bulkhead 0.125 D x 37.5 lg.	8559A091B	3
5	Base, White SHL4800	8559D038C-03	2
6	Base, Center, White SHL4800	8559181A-03	1
7	Bracket, Channel	8559D040C	1
8	Bracket, Channel, Extension	8559D041C	2
9	Plate, Base, Center	8559191A	1
10	Screw, #10x1/2 Type B Thread	70011A122-08	14
11	Cable, Incoming, 11 Cond. 15'	175773A	1
12	Clamp, Cable	8559A001	1
13	Wire Harness	146977A	1
14	Name Plate SHL4800	8146949	2
15	Gasket, Base	8559A079A	2
16	Power Supply, J30 (Strobe Opt)	8559C100A	AR
17	Gasket, Center, Base	8559221A	2
18	Screw, #10x3/4 Type B Thread	7011A122-12	4
19	Name Plate SHL	81461133B-12	1
20	Label, Warning	161A463A	1
21	Terminal, Tab 250 (Flat)	233A181A	14
22	Terminal, Tab 250 x 45 degrees	233A184A	7
23	Screw, #8 Type B Thread	7011A030-06	14
24	Flasher, Final Assembly	8554B010B	1
25	Pad Adhesive	8537A533	1
26	Connector, Flasher	8443A015-02	1
27	Screw, #6-19x7/8, Hi-Lo	7017A035-14	20
28	Lens, Clear	8559D043B	10 AR
	Lens, Red	8559D043B-01	
	Lens, Amber	8559D043B-02	
	Lens, Black	8559D043B-03	
	Lens, Blue	8559D043B-04	
	Lens, CIE Blue	8559D043B-05	
29	Gasket, Neoprene	85591610B	10
30	Wire, Terminated (ground)		AR
31	Spacer, Steel	8559A004A	2
32	Stationary Light	8559A052A	2
33	Lamp, 50W, SYLVANIA	8107A119A	2
34	Tail/Parking Light Assy. (3 leads)	8559A053A	2
35	Lamp 12V #1157	8107A095A	2
36	Adapter, Terminal (to pin 8, item 5)	233A182A	1
37	Flash Tube Assembly	8107A127B	2
38	Lamp, SYLVANIA	8548A028A	2
39	Cable Assembly (Not Shown)	146A683A	1
40	Stationary Light	8559A089A	1
41	Screw, #10x3/8 Type B Thread	7011A146-06	2

Item No.	Description	Part Number	Qty
42	Diagonal Mirror Psg. Side (shown)	8559B082B	1
43	Diagonal Mirror Drivers Side	8559B083B	1
44	Cascade Mirror, Psg Side (shown)	8559246A	1
45	Cascade Mirror, Drivers Side	8559245A	1
46	Washer, Flat	7072A020	4
47	V-Mirror	8559198A	2
48	V-Mirror Assembly	8559C125A	2
49	Wire Terminated (ground)		1
50	Rotating Light Assembly (Std)	8559B060B-01	1
51	Screw, Mach 4-40 x 1/4 Hex Head	7006A016-04	2
52	Motor and Worm Gear Assy 12v	8559A055A	1
53	Reflector and Gear Assembly	8559187B	1
54	Lamp, Halogen 55W	8440A265A-01	1
55	Clip, Socket	8550133A	1
56	Rotating Light Assembly (Fast)	8559B060B-02	1
57	Motor and Worm Gear Assy (9V)	8559A055A01	1
58	Washer, Flat	7072A020	3
59	Screw #10x3/4 Type B, Hex Wsh Hd	7011A122-12	3
60	Spacer, Brass	8559A000A	1
61	Lockwasher, #10 Ext. Tooth	7075A026	1
	Alley Light (pair). Detail A. Consists of 10, 27-33.	SA-A	
	Brake Turn and Tail (pair). Detail B-C. Consists of 10, 27-30, 34-36	SBTT-A	
	Directional Strobe. Detail B-C. Consists of 10, 16, 27-30, 32, 37	SDA-A	
	Flasher, Four Alternate See Flasher Mounting. Consists of 10, 24-26, 32, 38, 39	SFL4-A	
	Flasher, Two Alternate (qty 2) See Flasher Mounting. Consists of 10, 24-26, 32, 38, 39	SFL-A	
	Steady Burn, Red. Detail B-C. Consists of 10, 27-30, 33, 40	SCAL-A	
	Takedown. Detail B-C. Consists of 10, 27-33	STD-A	
	Work Light. Detail B-C. Consists of 10, 27-33	SWL-A	
	Diagonal Mirror (pair) Consists of 41-43	SMIR-A	
	V-Mirrors (pair) Used in center section w/ single light option. Consists of 41, 46, 47	SVMIR-A	
	Rotating Light Assembly (standard) SROT-A Detail D. Consists of 10, 49, 51-55		
	Rotating Assembly (fast) Detail D. Consists of 49, 51, 53, 57-59	SFAST-A	
	Not Shown		
	Traffic Clearing Light	refer to page 2-61	AR
	DynaRay Oscillating Light (corner)	refer to page 2-43	AR
	DynaRay Oscillating Light (center)	refer to page 2-45	AR
	Rotating Assy, International	8559B059B-02	AR

DO NOT ORDER PARTS BY INDEX NUMBER. give model, voltage, description, and part number.  
When a part number is not supplied, the part is NOT available.  
Refer to PARTS PRICE LIST (PART No. 1001) for prices of parts.

Federal Signal Corporation  
2645 Federal Signal Drive  
University Park, IL 60466