

INSTALLATION INSTRUCTIONS FOR UNIVERSAL HOOK MOUNTING KIT

SAFETY MESSAGE TO INSTALLERS AND USERS

People's lives depend on your safe installation of our products. It is important to read, understand and follow all instructions shipped with the products. In addition, listed below are some other important safety instructions and precautions you should follow:

- To properly install a light/sound system, you must have a good understanding of automotive electrical procedures and systems.
- When drilling into a vehicle structure, be sure that both sides of the surface are clear of anything that could be damaged.
- Refer to instruction sheet packed with light system for proper electrical connections.
- Avoid dimpling (denting) of roof. Place light bar mounting feet as close to gutter as possible.
- Roof damage can occur if hook adjustment bolts are overtightened. Tighten adjustment bolt just enough to prevent the light from sliding front-to-back when pulling on the mounting bracket.
- You should frequently inspect the light system to ensure that it is securely attached to the vehicle.
- File these instructions in a safe place and refer to them when maintaining and/or re-installing the product.

Failure to follow all safety precautions and instructions may result in property damage, serious injury, or death to you or others.

I. GENERAL.

If your Light Assembly was ordered with a loudspeaker, it has been installed at the factory. Speaker kits are available to allow you to add a speaker at a later date.

This instruction sheet provides instructions for installing the universal hook mounting kit. To complete the installation, it is necessary to purchase a vehicle-specific mounting hook kit.

II. UNPACKING.

After unpacking the kit, carefully check all envelopes, shipping labels, and tags before removing or destroying them. Ensure that the parts shown in the KIT CONTENTS LIST are contained in the packing carton.

III. KIT CONTENTS LIST.

Qty.	Description	Part No.
2	Bolt, 5/16-18 x 1/3/4	7000472-28
2	Bolt, 5/16-18 x 2-1/2	7000472-40
2	Bolt, 5/16-18 x 3-1/2	7000472-56
4	Nut, Hex, 3/8-16	7059A063
4	Washer, Flat, 3/8	7072A035
4	Lockwasher, Split, 3/8	7074A046
2	Mounting Foot	8559202
4	Pad, Mounting	8559203
2	Bracket, Adapter	8559206
2	Bracket, Hook Mounting	8559207
4	Bolt, Carriage, 3/8-16 x 1	8572050
2	Bolt Retainer	8559248

IV. HOOK KIT INSTALLATION.

A. AeroDynic® Series Lightbars.

1. Remove the two screws, located at the identification plate, at each end of a dome assembly. Slide both dome assemblies out about 4 or 5 inches, along the slots in the extrusion, and remove the plastic filler from the bottom of the extrusion. See figure 1.

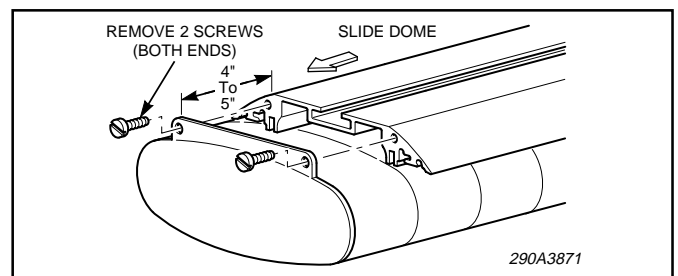


Figure 1.

2. Carefully turn the light assembly upside down.

3. Insert the two (2) rubber mounting pads into each plastic mounting foot as shown in figure 2. To allow easy insertion of the rubber pads, wet the rubber mounting pad's center nipple.

4. Assemble a hook bracket to each mounting foot using the 3/8-16 carriage bolts, 3/8 flat washers, 3/8 lockwashers, and 3/8-16 hex nuts as shown in figure 2.

NOTE

Do not tighten the nuts at this time.

5. Slide the two carriage bolts of a mounting foot assembly into the slot in the extrusion as shown

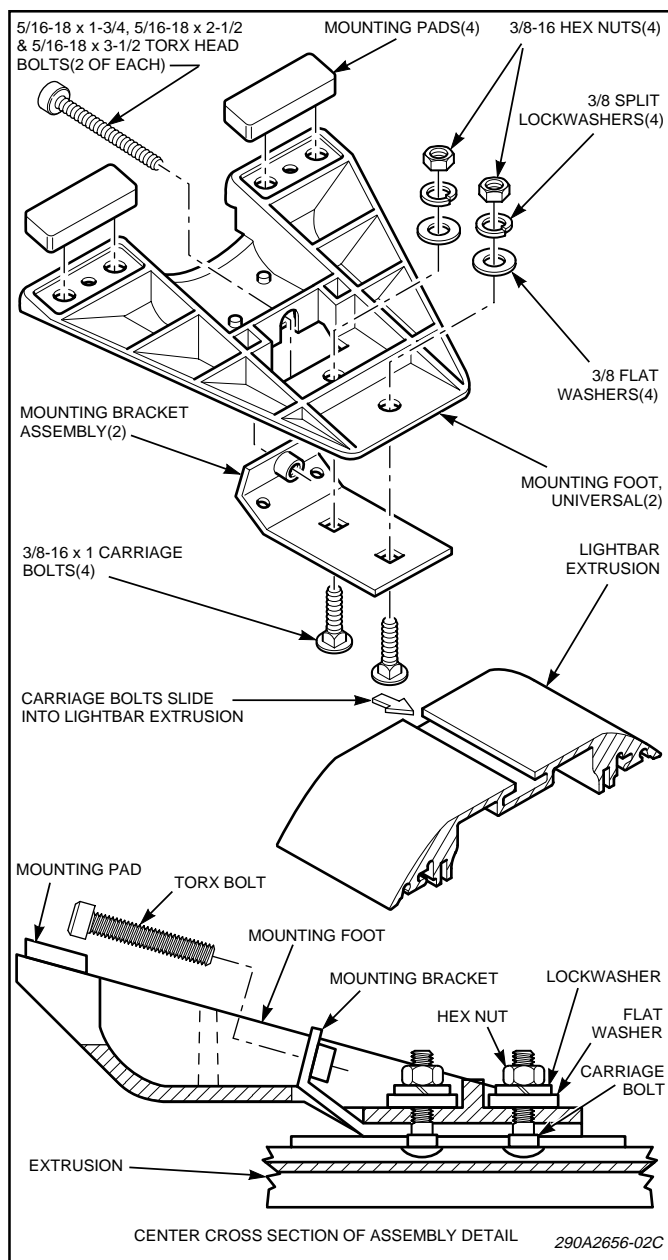


Figure 2.

in figure 2. Repeat on the other side of the light assembly.

6. Reinstall the domes.

B. StreetHawk® Lightbars.

1. Turn the light assembly over so that the bottom of the bar faces up. The unit should be placed on some soft rags or cardboard to avoid marring the plastic domes.

2. Insert the two (2) rubber mounting pads into each plastic mounting foot as shown in figure 3. To allow easy insertion of the rubber pads, wet the rubber mounting pad's center nipple.

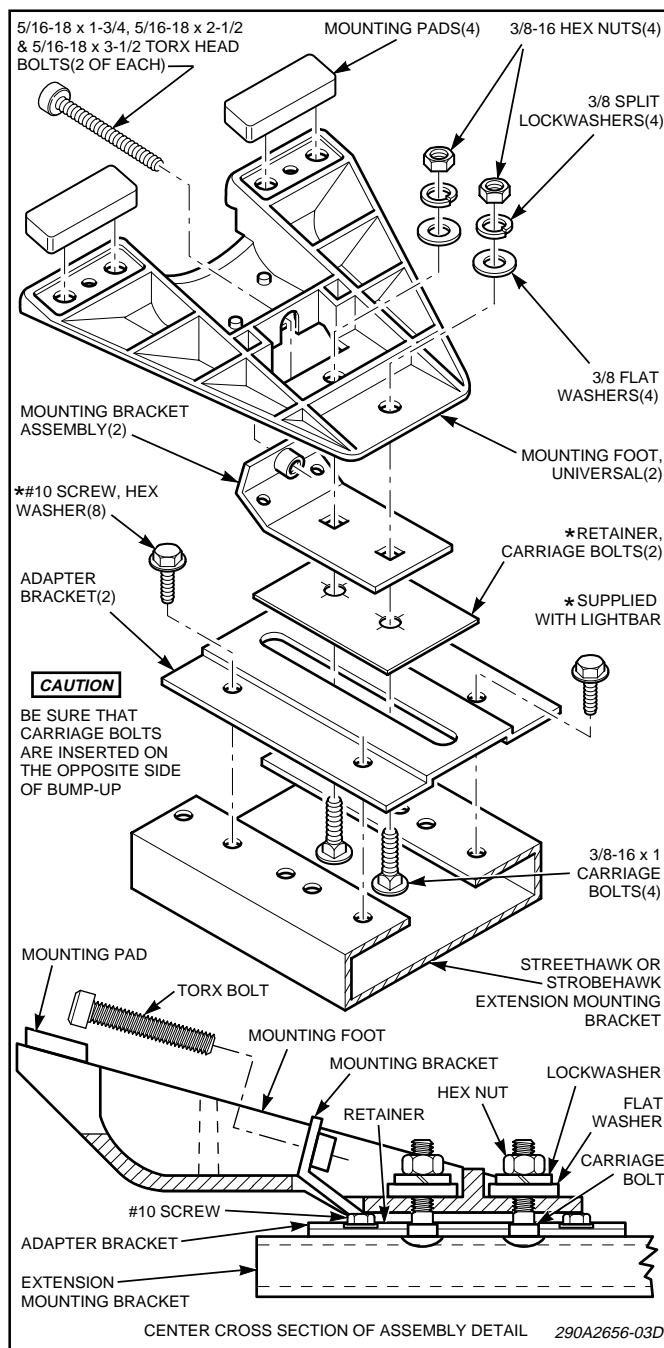


Figure 3.

NOTE

The adapter brackets, bolt retainers, and #10 hex head screws used in paragraphs IV.B.3. and IV.B.4. below are supplied in the accessory kit packed with the light assembly.

3. Assemble two 3/8-16 carriage bolts to each adapter bracket with a bolt retainer as shown in figure 3.

4. See figure 3. Assemble an adapter bracket assembly to the extension mounting bracket on each end of the light bar using eight #10 hex head screws (four for each bracket). We recommend that the adapter bracket assemblies be fastened to the appropriate holes, provided in the extension mounting brackets, that best suits your installation. Tighten securely.

5. Assemble a hook bracket and mounting foot to each adapter bracket assembly using the 3/8 flat washers, 3/8 lockwashers and 3/8-16 hex nuts as shown in figure 3.

NOTE

Do not tighten the nuts at this time.

V. INSTALLATION ON VEHICLE ROOF.

A. Place the light assembly on the vehicle roof at the desired location. Usually the unit should be installed approximately over the driver's head. Before proceeding, refer to the instructions provided with the separately purchased mounting hook kit.

B. Adjust both mounting foot assemblies in or out until the rubber mounting pads rest near the edge of the roof or gutter where the roof is the most rigid. See figure 4.

C. See figure 4. Center the unit so that the end of the Light Assembly and edge of the roof are equally spaced on each side of the vehicle. Tighten the previously installed 3/8-16 hex nuts (two on each mounting foot).

D. If the light assembly being installed is a JetSonic Series unit, cut the previously removed plastic filler so that it will fit between the mounting feet in the extrusion slot. Insert the plastic filler into the slot.

E. See figure 4. Insert the separately purchased mounting hook into the opening in the center of the mounting bracket. Install the 1-3/4", 2-1/2", or 3-1/2" stainless steel adjusting bolt (finger tight). Ensure that the hook does not interfere with the door or glass. Repeat on the other side of the light assembly.

NOTE

1-3/4", 2-1/2", or 3-1/2" long bolts (2 each) are supplied. (If longer bolts are required when installing on vans, trucks, etc., order Model No. HK-BOLT.) Use the length that best fits your vehicle.

F. Tighten each hook adjustment bolt to a maximum torque of 15 to 18 ft-lbs. Check to ensure that the light assembly does not slide front-to-back when pulling on the mounting feet.

CAUTION

Excessive tightening of the hook adjustment bolts can cause damage to the lightbar, mounting system, or vehicle roof.

G. Frequently inspect the light assembly to ensure that all fasteners and brackets are tight.

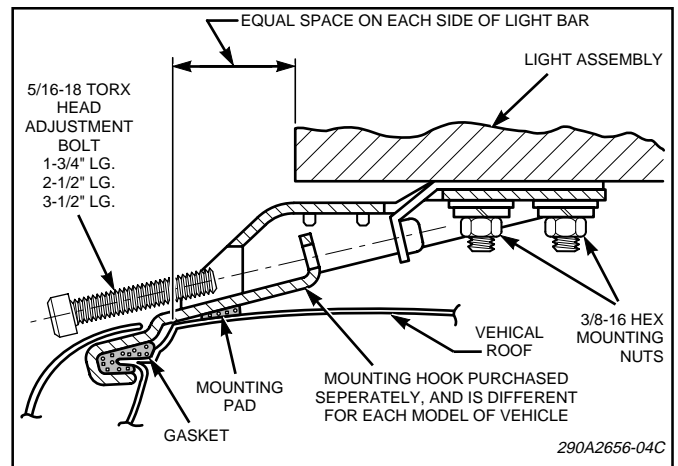


Figure 4.