

**INSTRUCTION SHEET
FOR
MODEL SBTK
BRAKE/TAIL LIGHT KIT**

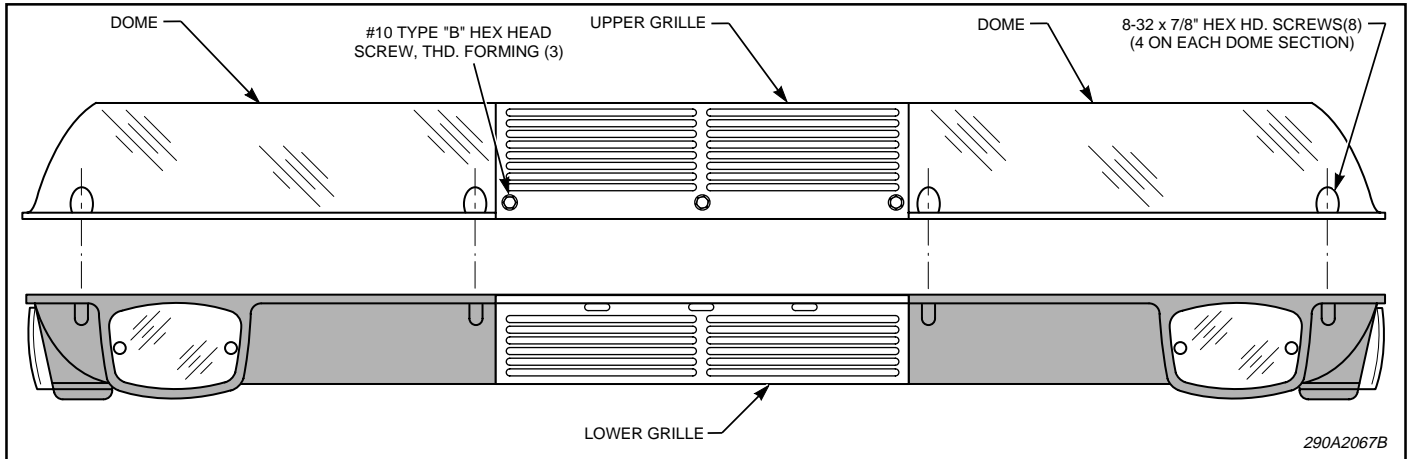


Figure 1.

A. DOME AND GRILLE REMOVAL (see Figure 1).

1. Turn-off power to Light Assembly.
2. Remove three (3) #10 type "B" hex washer head thread-forming screws which secure the upper speaker grille to the lower speaker grille. Lift upper grille away from lower grille.
3. Remove the eight (four on each side) #8-32 x 7/8 hex head screws from the front and rear edges of the dome.
4. Carefully remove the domes. Ensure that the bulkhead gasket remains tucked in its groove.

B. INSTALLATION OF SOCKET AND REFLECTOR ASSY. - TAIL LIGHT (see Figure 2).

1. Disconnect the black ground wire from the existing stationary reflector terminal and the lamp wire from its terminal.
2. Remove the two (2) #10 x 1/2 hex. washer head screws and lift the existing socket and reflector assembly away from its mounting.

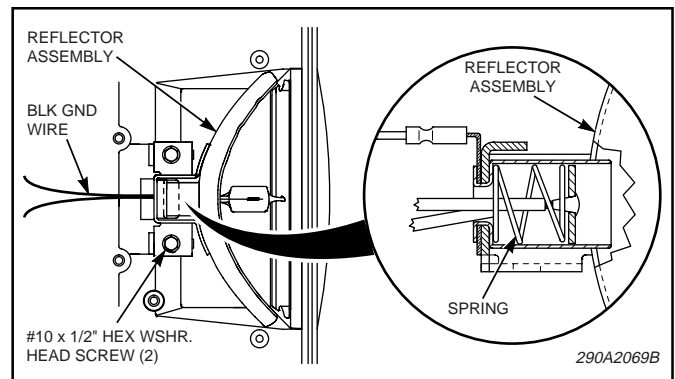


Figure 2.

3. Insert the new dual filament lamp (supplied) in the new socket and reflector assembly. Ensure that the filament and bayonet pins are oriented in the vertical position and are installed in the proper socket slots.
4. Using the two #10 x 1/2 screws removed in step 2, secure the new socket and tail light assembly in the same location as the old socket and reflector assembly. Torque to 30-35 in./lbs.

5. Re-connect the black ground wire removed in step 1. Connect the two insulated lamp terminals as shown in figure 3.

6. Perform steps 1 through 5 on the other side of the Light Assembly.

7. Replace the domes and upper speaker grille by reversing the procedure described in A. 1, 2, 3 and 4. Torque dome screws to 14-18 in./lbs. and grille screws to 20-25 in./lbs.

C. KIT CONTENTS LIST.

Qty.	Description	Part No.
2	Wire Lead, Dual (with insulated terminals)	8559A074-02
2	Spring	8444A017-02
2	Socket and Reflector Assy.	8559B062A
2	Lamp, Dual Filament	8107A095A
4	Screw, #10	7011A122-08

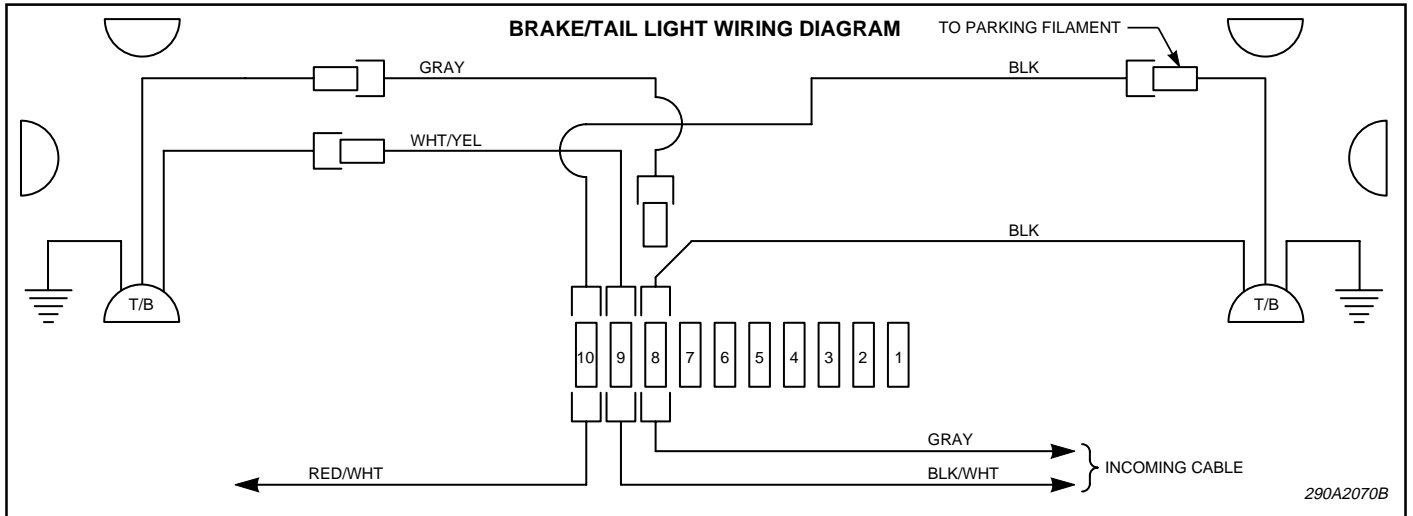


Figure 3.

290A2070B