

**INSTRUCTION SHEET  
FOR  
MODEL SFEK  
FLASHING END LAMP KIT**

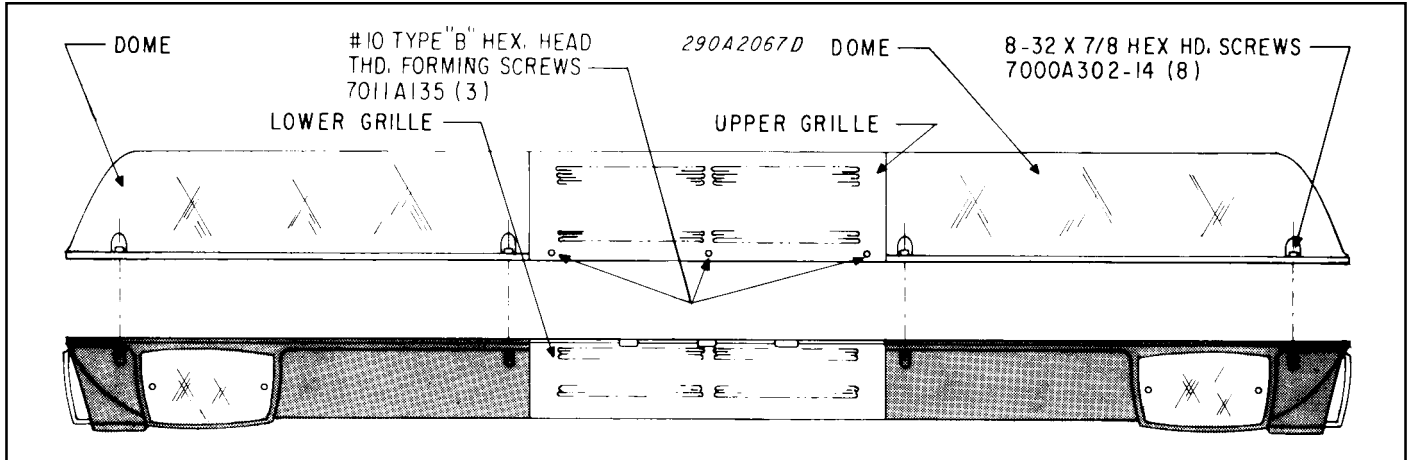


Figure 1.

**NOTE**

Before attempting to install the Model SFEK, ensure that your unit is equipped with a flasher. If not, Federal Model SFK Flasher Kit must be installed before proceeding.

**A. DOME AND GRILLE REMOVAL (see figure 1).**

1. Turn-off power to Light Assembly.
2. Remove three (3) #10 type "B" hex washer head thread-forming screws which secure the upper speaker grille to the lower speaker grille. Lift upper grille away from the lower grille.
3. Remove the eight (four on each side) #8-32 x 7/8 hex head screws from the front and rear edges of the dome.
4. Carefully remove the domes. Ensure that the bulkhead gasket remains tucked in its groove.

**B. INSTALLATION OF STATIONARY LIGHT ASSEMBLY (see figure 2).**

1. Secure the stationary light assembly with two (2) #10 x 1/2 hex washer head screws (supplied).

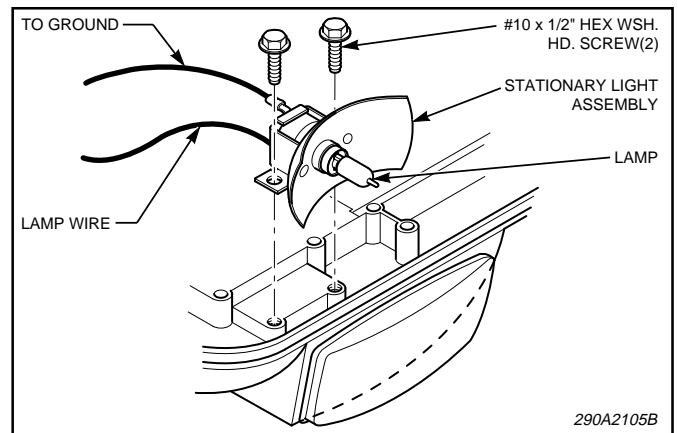


Figure 2.

**WARNING**

A serious injury may result if lamp is touched when hot. Always allow lamp to cool before removing. Halogen lamps are pressurized and if broken can result in flying glass. Always wear gloves and eye protection when handling the lamps.

2. Connect the ground wire and lamp wire as shown in figure 3. When installing the lamp, do not touch glass portion. If glass end has been handled, it should be carefully cleaned with a grease solvent.
3. Perform installation procedure on other applicable stationary light assemblies.

### C. REPLACEMENT OF DOME AND GRILLE.

Reverse the procedure described in A.1, 2, 3 and 4. Torque dome screws to 14-18 in./lbs. and grille screws to 20-25 in./lbs.

### D. KIT CONTENTS LIST.

Qty.	Description	Part No.
2	Stationary Light Assembly	8559A052
2	Lamp, 35 Watt Halogen	8548A028
2	Cable Assembly	146A683
4	Screw, #10 x 1/2 Hex Washer Hd.	7011A122-08

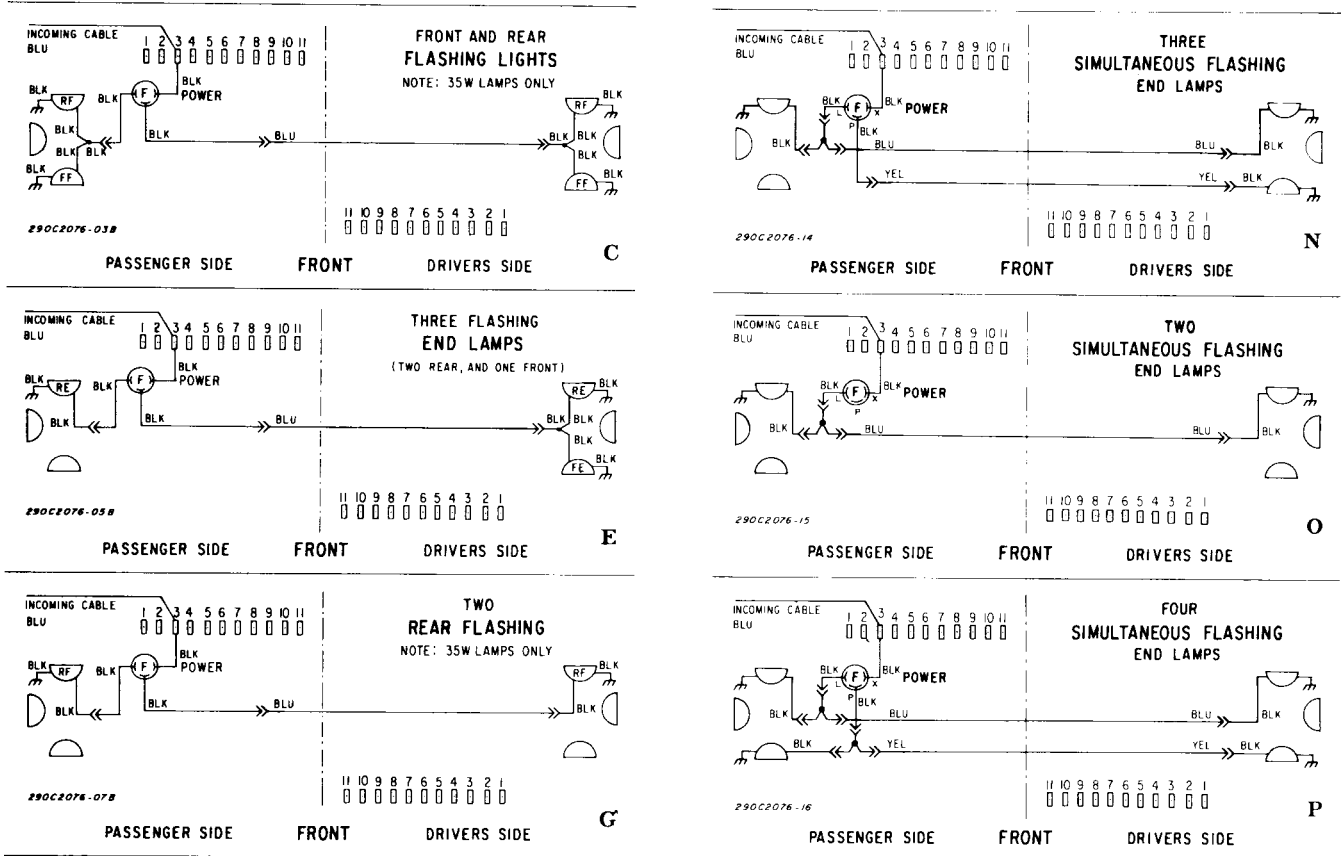


Figure 3.