

**INSTRUCTION SHEET
 FOR
 MODEL SFL2K
 FLASHING LIGHT KIT**

SAFETY MESSAGE TO INSTALLERS

People's lives depend on your safe installation of our products. It is important to read, understand and follow all instructions shipped with this product. In addition, listed below are some other important safety instructions and precautions you should follow:

- To properly install this kit: you must have a good understanding of automotive electrical procedures and systems, along with proficiency in the installation and use of safety warning equipment.
- File these instructions in a safe place and refer to them when maintaining and/or reinstalling the product.

Failure to follow all safety precaution and instructions may result in property damage, serious injury, or death to you or others.

A. GENERAL.

The Model SFL2K flashing light kit is designed for installation in a Federal All Light StreetHawk® lightbar.

After unpacking the Model SFL2K, carefully check all envelopes, shipping labels and tags before removing or destroying them. Ensure that the parts listed in the appropriate KIT CONTENTS LIST are contained in the packing carton.

B. KIT CONTENTS LIST.

Qty	Description	Part No.
6	Scr. #10 Hex. Hd. Thd. Frm.	7011A122-08
1	Connector	8443A015-02
2	Lamp, 12V, 35 watt	8548A028
1	Flasher Assy.	8554B010
2	Stationary Light	8559A052
1	Velcro Loop	8559A147
1	Velcro Hook	8559A148
2	Lockwasher, Ext. Th. #10	7075A026
2	Ground Spacer	8559A000
2	Wire Tie	150A109

C. DOME REMOVAL (see figure 1).

1. Turn off power to the Light Assembly.
2. Remove the #8-32 x 7/8 hex head screws from the front and rear edges of the dome.
3. Carefully remove the domes. Ensure that the bulkhead gasket remains tucked in its groove.

WARNING

Added lighting options may cause excessive current draw. Before proceeding with installation, ensure that conductors are not overloaded. Using the current requirements shown in table 1, calculate the total current requirement with the currently installed options. The total current requirement must not exceed 50-amperes.

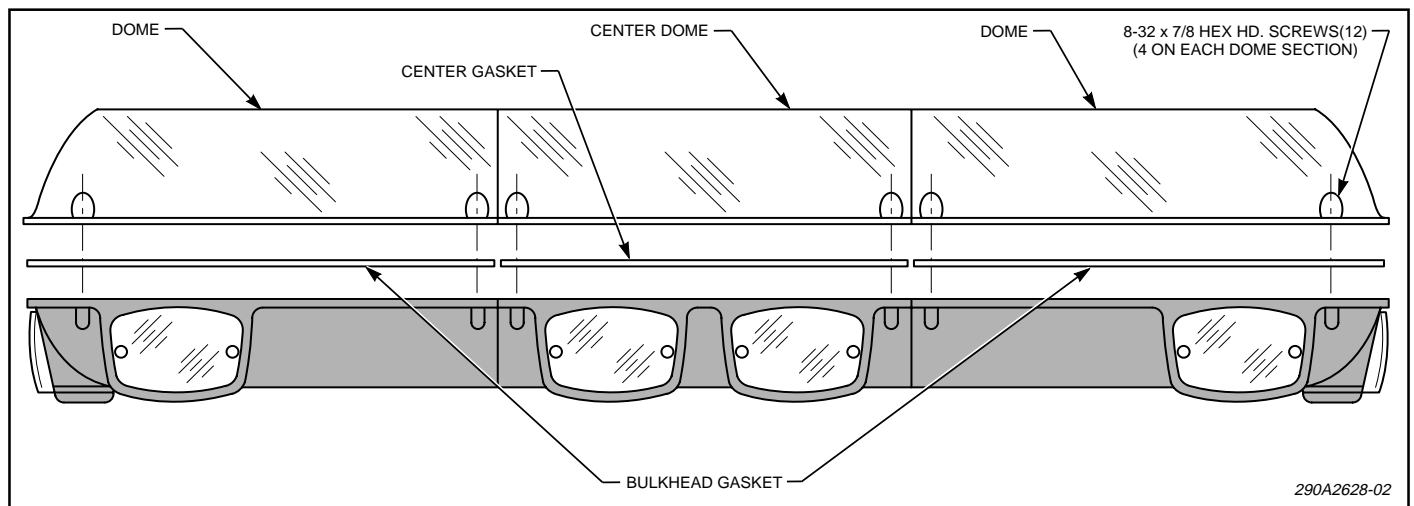


Figure 1.

Option	Current Requirement	See Note
Right Alley	4.0 amperes	
Left Alley	4.0 amperes	
Flashing(2)	2.74 amperes	
Take Down	4.0 amperes	
Work Light	4.0 amperes	
Dir. Strobe	10.0 amperes	A
Rotator	4.3 amperes	B
TCL	4.0 amperes	
DynaRay	4.3 amperes	
Tail Light	0.59 amperes	
Left Turn	2.10 amperes	
Right Turn	2.10 amperes	
Cal	4.3 amperes	
Ground	—	C

Notes:

A. One J-30 power supply with two directional strobes requires 5.0 amperes. Two J-30 power supply with two directional strobes requires 10.0 amperes.

B. The incoming cable's red 12AWG conductor is rated at 35 amperes. The internal wiring harness uses 18 AWG conductors rated at 13 amperes each. DO NOT overload the conductors.

C. The sum of all option's current requirements shall not exceed 50 amperes.

Table 1. Option Current Requirements.

D. INSTALLATION.

WARNING

To avoid electrical shock and/or wiring damage, ensure that ALL power to the lightbar is disconnected BEFORE proceeding with installation.

1. Stationary Light Installation.

- a. See figure 2. Place the stationary light assemblies in position at the desired locations.
- b. See figure 2. Secure each assembly in position using two #10 x 1/2" hex head thread-forming screws. Torque the screws to 30 - 55 in-lbs.

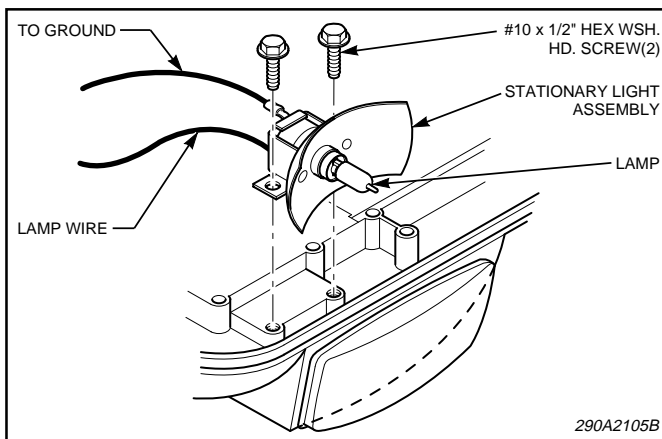


Figure 2.

2. Flasher Installation.

- a. See figure 3. Remove the backing from the velcro loop pad and affix the pad to the flasher. Remove the backing from the velcro hook pad and affix the pad to the lightbar housing as shown in figure 3.
- b. Install the flasher by mating the hook and loop surfaces.

E. WIRING.

WARNING

Added lighting options may cause excessive current draw. Ensure that conductors are not overloaded. Using the current requirements shown in table 1, calculate the total current requirement with the currently installed options. The total current requirement must not exceed 50-amperes.

1. See figure 4. Attach the black wires terminated with a ring terminal on each stationary light assembly to the lightbar's metal channel/extrusion using a #10 x 1/2" hex head thread-forming screw, lockwasher, and ground spacer.
2. See the applicable wiring diagram in figure 5. Using the applicable wires in the lightbar's wiring harness, attach the female terminal on each stationary light assembly's black wire to the appropriate terminals of the molded-in terminal strip.

WARNING

To prevent personal injury and/or damage to vehicle components, in the event of a short circuit in the power cable, install a fuse in each incoming cable conductor.

CAUTION

Interference with a rotating reflector can damage the reflector or wires. Ensure that wires are dressed to prevent any interference.

3. Dress the wires with wire ties.

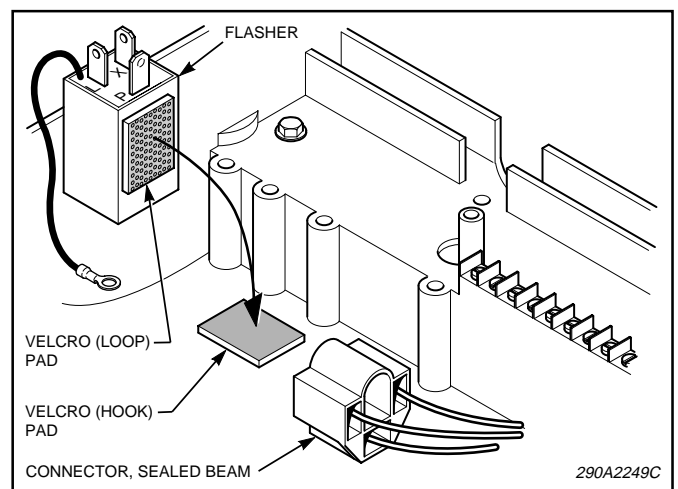


Figure 3.

NOTE

Any of the lightbar functions can be activated by applying 12VDC to the appropriate control line. The heavy black lead (-) must be connected to vehicle ground to perform a function check.

4. Before replacing the domes, test each function by applying 12VDC to the appropriate control line.

WARNING

A serious injury may result if lamp is touched when hot. Always allow lamp to cool before removing. Halogen lamps are pressurized and if broken can result in flying glass. Always wear gloves and eye protection when handling the lamps.

CAUTION

Service life of lamp will be shortened if glass portion is touched. If glass has been handled, clean carefully with a grease solvent.

5. Replace the dome assemblies and secure with the previously removed screws. Torque dome screws to 14 - 18 in-lbs.

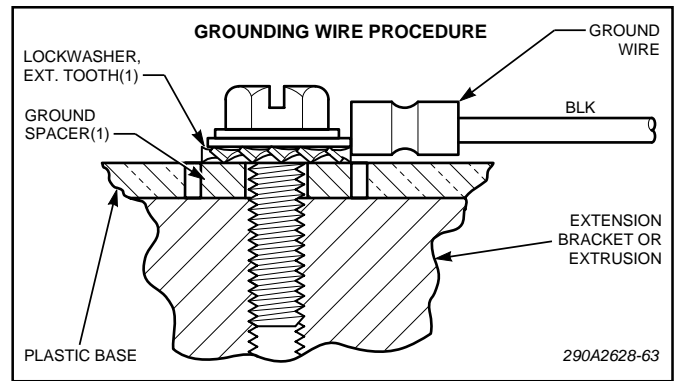


Figure 4.

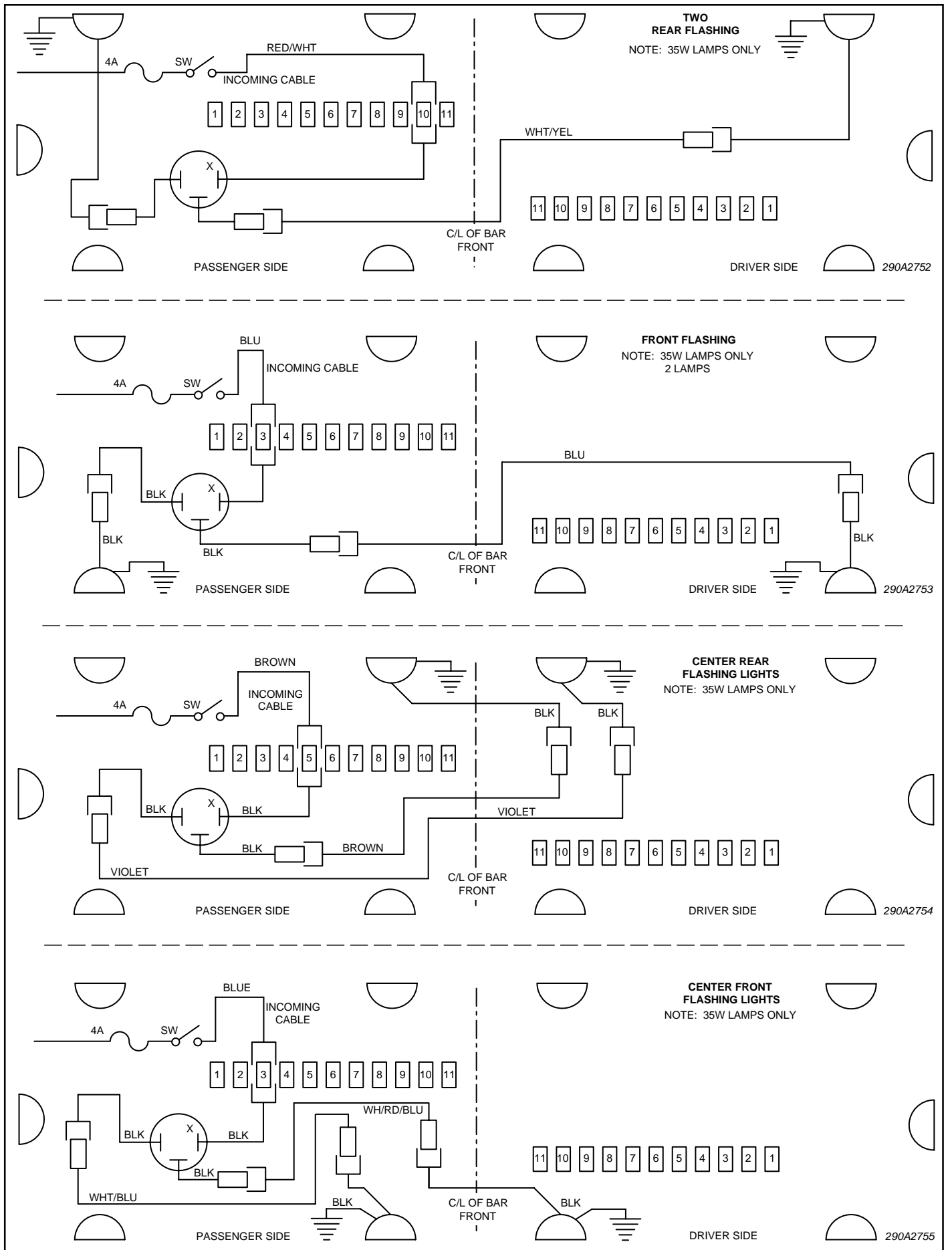


Figure 5.