

**INSTRUCTION SHEET
FOR
MODEL SFLK
FLOODLIGHT KIT**

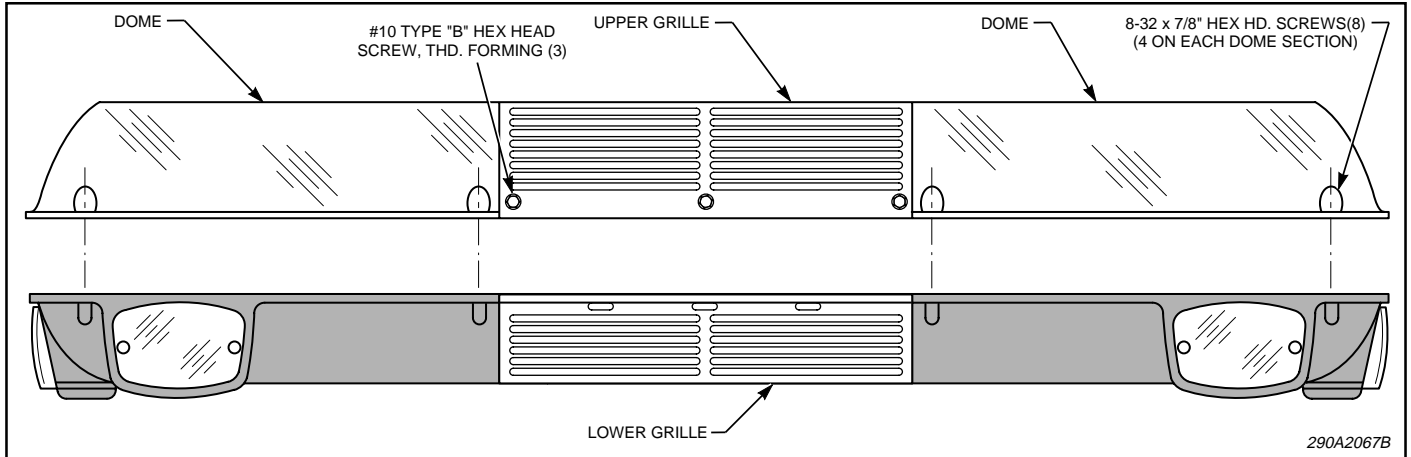


Figure 1.

**A. DOME AND GRILLE REMOVAL
(see figure 1).**

1. Turn-off power to Light Assembly.
2. Remove three (3) type "B" hex washer head thread-forming screws which secure the upper speaker grille to the lower speaker grille. Lift upper grille away from lower grille.
3. Remove the eight (four on each side) #8-32 x 7/8 hex head screws from the front and rear edges of the dome.
4. Carefully remove the domes. Ensure that the bulkhead gasket remains in its proper position.

B. INSTALLATION OF STATIONARY LIGHT ASSEMBLY (see figure 2).

1. Secure the stationary light assembly to the pod with two (2) #10 x 1/2 hex washer head screws (supplied).
2. Connect the ground wire and lamp wire as shown in figure 3. When installing the lamp, do not touch glass portion. If glass end has been handled, it should be carefully cleaned with a grease solvent.
3. Perform installation procedure on other side of light.

C. REPLACEMENT OF DOME AND GRILLE.

- Reverse the procedure described in A.1, 2, 3 and 4. Torque dome screws to 14-18 in./lbs. and grille screws to 20-25 in./lbs.

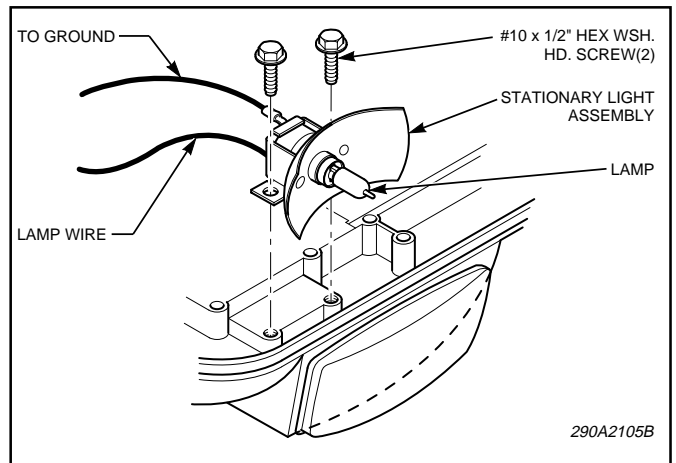


Figure 2.

D. KIT CONTENTS LIST.

Qty.	Description	Part No.
2	Stationary Light Assembly	8559A089
2	Lamp, 50 Watt Halogen	8107A119
4	Screw, #10 x 1/2 Hex. Wash. Hd.	7011A122-08

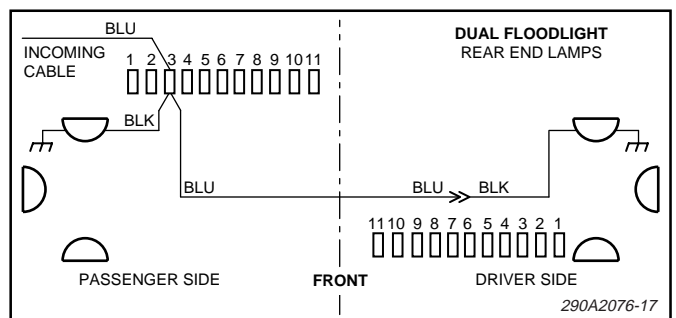


Figure 3.