

WHELEN[®]

ENGINEERING COMPANY INC.

51 Winthrop Road
 Chester, Connecticut 06412-0684
 Phone: (860) 526-9504
 Fax: (860) 526-4078
 Internet: www.whelen.com
 Sales e-mail: autosale@whelen.com
 Canadian Sales e-mail: canadiansales@whelen.com
 Customer Service e-mail: custserv@whelen.com

Installation Guide: Control Point Module for WeCan[®] Lightbars

Overview -

Note: If installing a WeCan lightbar into a system that includes either a Whelen CenCom Sapphire or Whelen Control, the Control Point Module is no longer required. The lightbar can be plugged directly into either of the previously mentioned units. In that event, please refer to the applicable instructional material for connection information.

The Control Point Module serves as the 'brains' of the Whelen WC Series lightbar. The module is programmed with the WeCan™ Programming Software via the USB port and in turn, provides the necessary signals that allow the lightbar to function in the desired manner.

As represented in the WeCan™ Programming software, each of the 18 inputs may be programmed to activate any number or combination of the installed lightbar components. This is accomplished by applying +12VDC to an input. The default configurations for specific lightbars are shown on page 2.

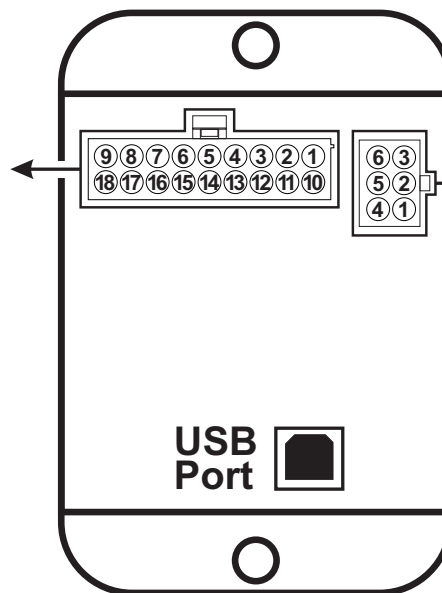
Important - The pattern override feature will override all active LED lighthoods with the pattern override flash pattern.

Programming Procedure -

IMPORTANT - It is not necessary to program this device unless changes to the default configuration (for example pattern or switch control changes) are desired.

1. Connect a USB cable from the host PC to the module's USB port.
2. Start the WeCan software on the host PC and open the configuration to be programmed.
3. Click on the "WeCan" button on the menu bar. Select "Control Point" then "Program" from the fly-out.
4. A window will open to confirm that you are about to program a Control Point Module. Confirm that the USB cable is connected to both the module and the PC and then press "OK" to continue. The software will display a window when the programming procedure has been successfully completed.
5. Confirm proper operation of the module.

Refer to the appropriate table on page 2 for information on the default configuration for your application.



LIGHTBAR CABLE CONNECTOR

POS	COLOR	FUNCTION
1	RED ¹	+12VDC
2	None	
3	BLACK	GROUND
4	GREEN ²	COMM. A
5	BLK/WHT ²	SHIELD
6	GREY ²	COMM. B

¹ Connect to an ignition controlled circuit that can accommodate an additional 250mA load.

² from lightbar

For warranty information regarding this product, visit www.whelen.com/warranty

LIBERTY, JUSTICE, FREEDOM, FREEDOM 2 (SEQUENCE)

Pos	Color	Function
1	GRN	Front Pattern 1 - Ultra Scan
2	GRN/WHT	Front Pattern 2 - CA Ultra
3	GRN/BLK	Front Pattern 3 - CA Single Ultra Scan
4	WHT/RED	Front Pattern 4 - CA Bar
5	WHT	Driver Alley
6	YEL	Pass Alley
7	WHT/VIO	AUX
8	WHT/GRN	Right Traffic Advisor or Passenger BTT
9	WHT/ORG	Cruise Lights
10	BLU	Rear Pattern 1 - Ultra Scan
11	BLU/WHT	Rear Pattern 2 - CA Ultra
12	BLU/BLK	Rear Pattern 3 - CA Single Ultra Scan or Tail
13	WHT/BRN	Rear Pattern - CA Bar
14	WHT/BLK	Take-Downs Steady
15	WHT/BLU	Flashing Take-Downs/Alley
16	RED/WHT	Steady Override
17	WHT/YEL	Left Traffic Advisor or Driver BTT
18	VIO	Low Power

DUO INNER EDGE XLP

Pos	Color	Function
1	GRN	Alt Driver-Passenger SA 75
2	GRN/WHT	Alt Side To Side SA 75
3	GRN/BLK	In Out SA 75
4	WHT/RED	Alt Driver-Passenger ASYNC
5	WHT	Driver Outboard DUO Steady
6	YEL	Passenger Outboard DUO Steady
7	WHT/VIO	CA Steady
8	WHT/GRN	Outboard DUO Flash Single 150
9	WHT/ORG	Cruise Lights
10	BLU	CA Bar Pattern
11	BLU/WHT	Ultra Scan Bar Pattern
12	BLU/BLK	CA Single Ultra Scan Bar Pattern
13	WHT/BRN	ZZ CA 75 Bar Pattern
14	WHT/BLK	Center DUO Steady
15	WHT/BLU	Alt Side To Side DUO Double Flash 75
16	RED/WHT	All DUO Steady
17	WHT/YEL	Center DUO Flash Single 75
18	VIO	Low Power

DUO LIBERTY

Pos	Color	Function
1	GRN	Front Pattern 1 - Duo Ultra
2	GRN/WHT	Front Pattern 2 - Duo Single Ultra
3	GRN/BLK	Front Pattern 3 - Duo Bar
4	WHT/RED	Passenger Corner Steady
5	WHT	Driver Alley Steady
6	YEL	Passenger Alley Steady
7	WHT/VIO	AUX
8	WHT/GRN	Right Traffic Advisor or Passenger BTT
9	WHT/ORG	Cruise Lights
10	BLU	Rear Pattern 1 - Duo Ultra
11	BLU/WHT	Rear Pattern 2 - Duo Single Ultra
12	BLU/BLK	Rear Pattern 3 - Duo Bar or Tail
13	WHT/BRN	Driver Corner Steady
14	WHT/BLK	Take-downs Steady
15	WHT/BLU	Flashing Take-Downs/Alley
16	RED/WHT	Front Steady Duo
17	WHT/YEL	Left Traffic Advisor or Driver BTT
18	VIO	Low Power

LEGACY, LIBERTY II & FREEDOM IV SOLO

Pos	Color	Function
1	GRN	Front Pattern 1 - Ultra Scan
2	GRN/WHT	Front Pattern 2 - CA Bar
3	GRN/BLK	Front Pattern 3 - CA Single Ultra Scan
4	WHT/RED	Front Pattern 4 - Alternating SA 75
5	WHT	Driver Alley
6	YEL	Passenger Alley
7	WHT/VIO	AUX
8	WHT/GRN	Right Traffic Advisor or Passenger BTT
9	WHT/ORG	Cruise Lights
10	BLU	Rear Pattern 1 - Ultra Scan
11	BLU/WHT	Rear Pattern 2 - CA Bar
12	BLU/BLK	Rear Pattern 3 - CA Single Ultra Scan or Tail
13	WHT/BRN	Rear Pattern 4 - Alternating SA 75
14	WHT/BLK	Take-Downs Steady
15	WHT/BLU	Flashing Take-Downs/Alley
16	RED/WHT	Front/Rear Warning Steady
17	WHT/YEL	Left Traffic Advisor or Driver BTT
18	VIO	Low Power

TRIO LIBERTY

Pos	Color	Function
1	GRN	Front Pattern 1 - Duo Ultra
2	GRN/WHT	Front Pattern 2 - Duo Single Ultra
3	GRN/BLK	Front Steady-Tri
4	WHT/RED	Passenger Corner-Tri
5	WHT	Driver Alley
6	YEL	Pass Alley
7	WHT/VIO	AUX
8	WHT/GRN	Right Traffic Advisor
9	WHT/ORG	Cruise Lights
10	BLU	Rear Pattern 1 - DUO Ultra
11	BLU/WHT	Rear Pattern 2 - DUO Single Ultra
12	BLU/BLK	Rear Steady-Tri
13	WHT/BRN	Driver Corner Steady-Tri
14	WHT/BLK	Take-Downs Steady
15	WHT/BLU	Flashing Alley/Take-Downs
16	RED/WHT	All Bar Steady-DUO
17	WHT/YEL	Left Traffic Advisor
18	VIO	Low Power

LEGACY, LIBERTY II & FREEDOM IV DUO

Pos	Color	Function
1	GRN	Front Pattern 1 - Ultra Scan
2	GRN/WHT	Front Pattern 2 - CA Bar
3	GRN/BLK	Front Pattern 3 - CA Single Ultra Scan
4	WHT/RED	Front Pattern 4 - Alternating SA 75
5	WHT	Driver Alley
6	YEL	Passenger Alley
7	WHT/VIO	AUX
8	WHT/GRN	Right Traffic Advisor or Passenger BTT
9	WHT/ORG	Cruise Lights
10	BLU	Rear Pattern 1 - Ultra Scan
11	BLU/WHT	Rear Pattern 2 - CA Bar
12	BLU/BLK	Rear Pattern 3 - CA Single Ultra Scan or Tail
13	WHT/BRN	Rear Pattern 4 - Alternating SA 75
14	WHT/BLK	Take-Downs Steady
15	WHT/BLU	Flashing Take-Downs/Alley
16	RED/WHT	Front/Rear Warning Steady
17	WHT/YEL	Left Traffic Advisor or Driver BTT
18	VIO	Low Power

2X2 LIBERTY, JUSTICE, FREEDOM, FREEDOM 2

Pos	Color	Function
1	GRN	Front Corners SA 75
2	GRN/WHT	Front Outboards SA 75
3	GRN/BLK	Front Inboards SA 75
4	WHT/RED	Front Center & Middle SA 75
5	WHT	Driver Alley or Passenger BTT
6	YEL	Passenger Alley
7	WHT/VIO	AUX
8	WHT/GRN	Right Traffic Advisor
9	WHT/ORG	Cruise Lights
10	BLU	Rear Corners SA 75
11	BLU/WHT	Rear Outboards SA 75
12	BLU/BLK	Rear Inboards SA 75 or Tail
13	WHT/BRN	Rear Center & Middle SA 75
14	WHT/BLK	Take-Downs Steady or Driver BTT
15	WHT/BLU	Flashing Alley/Take-Downs
16	RED/WHT	All Bar Pattern (Ultra Scan)
17	WHT/YEL	Left Traffic Advisor
18	VIO	Low Power

LEGACY & LIBERTY II TRIO

Pos	Color	Function
1	GRN	Front Pattern 1 - Duo Ultra
2	GRN/WHT	Front Pattern 2 - Long Flash Trio
3	GRN/BLK	Front Pattern 3 - Color 2 Steady
4	WHT/RED	Passenger Endcap Steady
5	WHT	Driver Alley Steady
6	YEL	Passenger Alley Steady
7	WHT/VIO	All Bar ZigZag Blast
8	WHT/GRN	Right Traffic Advisor
9	WHT/ORG	Cruise Lights
10	BLU	Rear Pattern 1 - Duo Ultra
11	BLU/WHT	Rear Pattern 2 - Long Flash Trio
12	BLU/BLK	Rear Pattern 3 - Color 2 Steady or Color 3 Steady
13	WHT/BRN	Driver Endcap Steady
14	WHT/BLK	Take-Downs Steady
15	WHT/BLU	Flashing Take-Downs/Alley
16	RED/WHT	Steady Override
17	WHT/YEL	Left Traffic Advisor
18	VIO	Low Power