

JETSONIC™

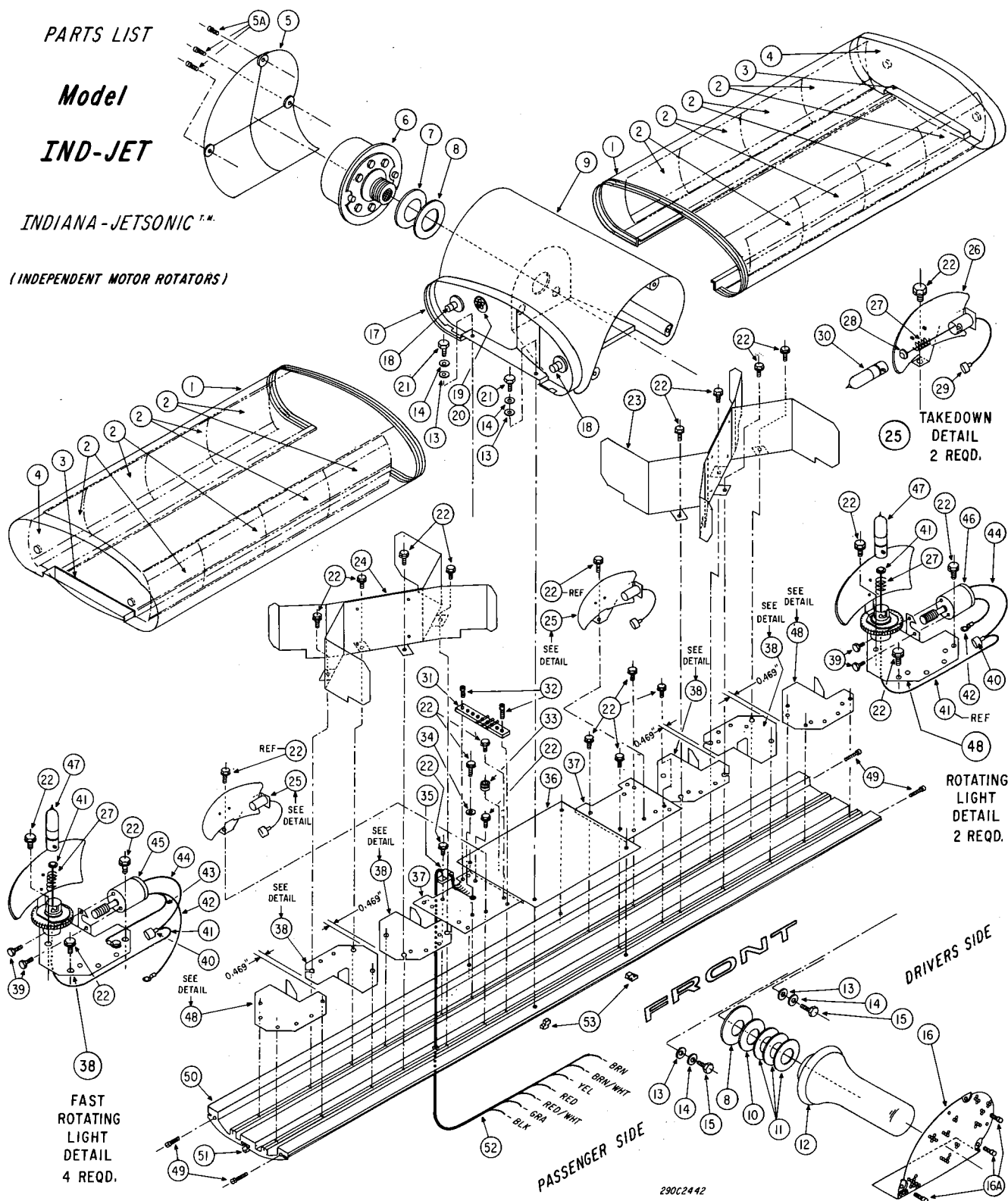
PARTS LIST

Model

IND-JET

INDIANA-JETSONIC™

(INDEPENDENT MOTOR ROTATORS)



JETSONIC® Model IND-JET

PPL 0248
PARTS LIST

Printed 1994

Item No.	Description	Part No.	Qty.
1	Dome, Clear	8552D054B	2
2	Insert, Clear	JSDI*C	16 AR
	Insert, Red	JSDI*R	
	Insert, Amber	JSDI*A	
	Insert, Blue	JSDI*B	
	Insert, Green	JSDI*G	
3	Gasket, Dome	8552B047B	2
4	Insert, End, Clear	JSIEC*C	2 AR
	Insert, End, Red	JSIEC*R	
	Insert, End, Amber	JSIEC*A	
	Insert, End, Blue	JSIEC*B	
	Insert, End, Green	JSIEC*G	
5	Door, Speaker Housing	8552D059A	1
5A	Screw, 8-32 x 3/8, Phl. Hd.	7000A109-06	3
6	Driver, 100W	8556C053A-01	1
7	Washer, Steel	7072A137A	1
8	Washer, Velutex	8283A451	2
9	Housing, Speaker	8552D057A	1
10	Washer	8283A453	1
11	Washer, Neoprene Rubber	8283A452	3
12	Cone, Long	8283B1001A	1
13	Washer, 1/4 Flat	7072A028	2
14	Lockwasher, 1/4 Split	7074A015	2
15	Screw, 1/4-20 x 5/8, Hex. Hd.	7000A311-10	2
16	Grille, Speaker	8552C053A	1
16A	Screw, 8-32 x 1/4, Hex. Hd.	7000A109-04	3
17	Gasket, Bulkhead	8552A055A	2
18	Bumper, Lens, Blk.	8552A056A	4
19	Filter	8552A062A	2
20	Plug, Vent	8552A063A	2
21	Screw, 1/4-20 x 3/4, Hex. Hd.	7000A311-12	4
22	Screw, #10 Type B Thd. Frm., Hex. Wsh. Hd.	7011A122-06	24
23	Mirror Assembly, Drivers Side	8552325A	1
24	Mirror Assembly, Passenger Side	8552324A	1
25	Takedown Light Assembly (individual parts - 26 thru 29)	8552A269A	2
26	Reflector Assembly	8552B253A	AR
27	Spring	8444A017-02	AR
28	Contact and Wire Lead	8444A017-04	AR
29	Terminal, Quick Disconnect	224A216-02	AR
30	Lamp, 50W, Takedown	8107A119A	2
31	Terminal Block (7 position)	229212A	1
32	Screw, 8-32 x 1/2 Thd. Frm., Phl. Pan Hd.	7011A026-08	2
33	Grommet	8108A014	1
34	Lockwasher, #10 Int. Tooth	7075A014	1
35	Clamp, Cable	8542A028A-02	1
36	Plate, Center	8552C261A	1
37	Plate, Mounting	8552C250A	2
38	Mechanism, Rotating Light, FAST (individual parts 39 - 47)	8552C266A-01	4
39	Screw, 4-40 x 3/16, Hex. Hd.	7006A016-03	12
40	Terminal, Insulated		6
41	Lead and Contact (lamp +)	8444A017-04	6
42	Wire, Terminated (motor ground)		6
43	Wire, Terminated (FAST ground)		4
44	Wire, Cut (motor +)		6
45	Assembly, Motor and Worm Gear, FAST	8559A055A-01	4
46	Assembly, Motor and Worm Gear	8559A055A	2
47	Lamp, 50W	8107141A	6
48	Mechanism, Rotating Light	8552C266A	2
49	Screw, 1/4-20 x 5/8 Machine, Slt. Truss Hd.	7000A460-10	4
50	Extrusion, Machined	8552D222A	1
51	Extrusion, Plastic	8552A285A	1
52	Cable, Power	175A572A	1
53	Gasket, Extrusion	8552A103A	4

DO NOT ORDER PARTS BY ITEM NUMBER.

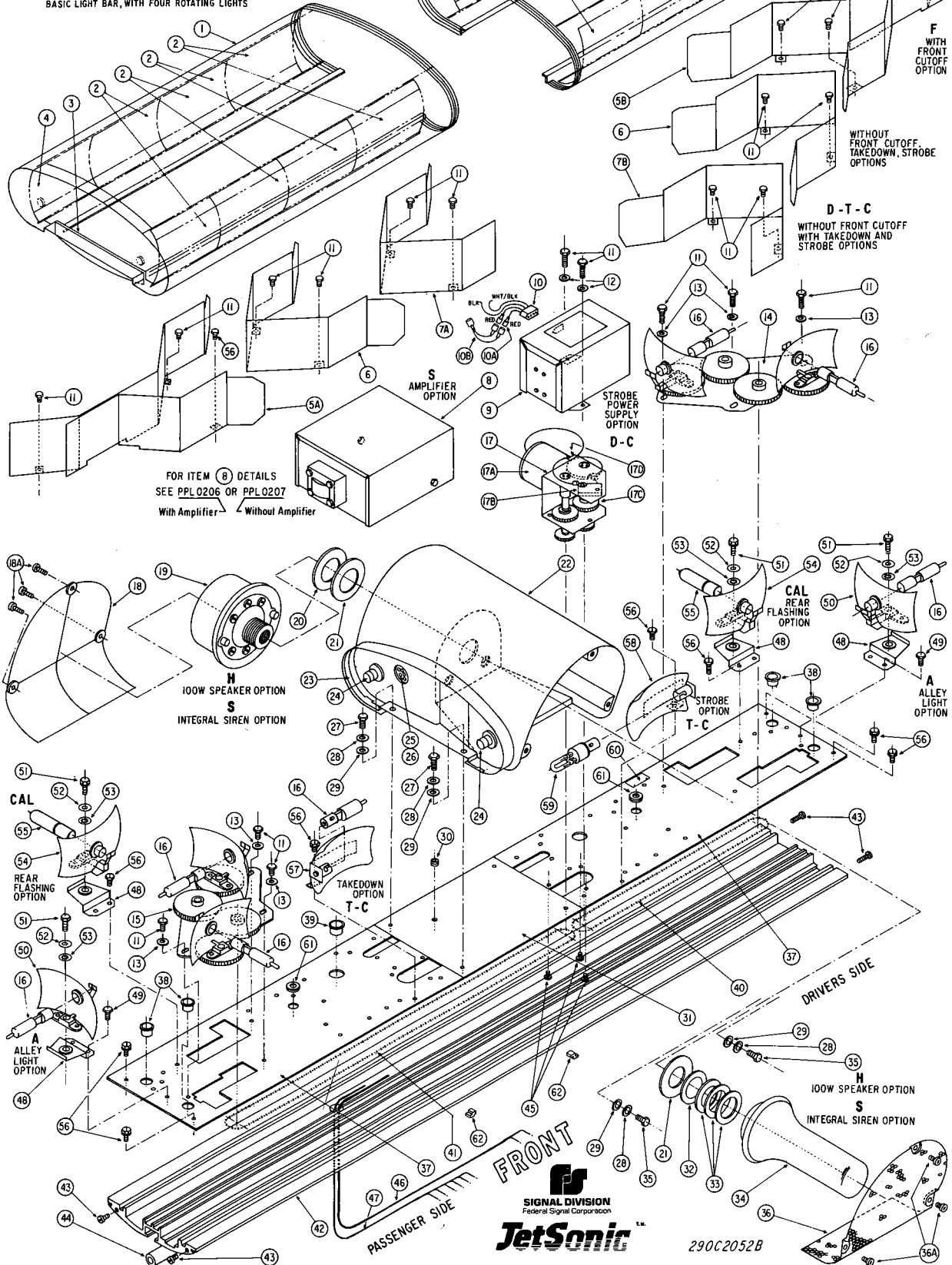
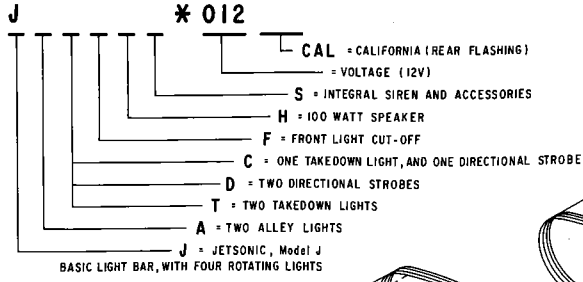
Give model, description and part number.

When a part number is not supplied, the part is NOT available.

Refer to PARTS PRICE LIST (Part No. 1001) for prices of parts.

Federal Signal Corporation
2645 Federal Signal Drive
University Park, IL 60466

Printed in U.S.A.



JS 4800 Series

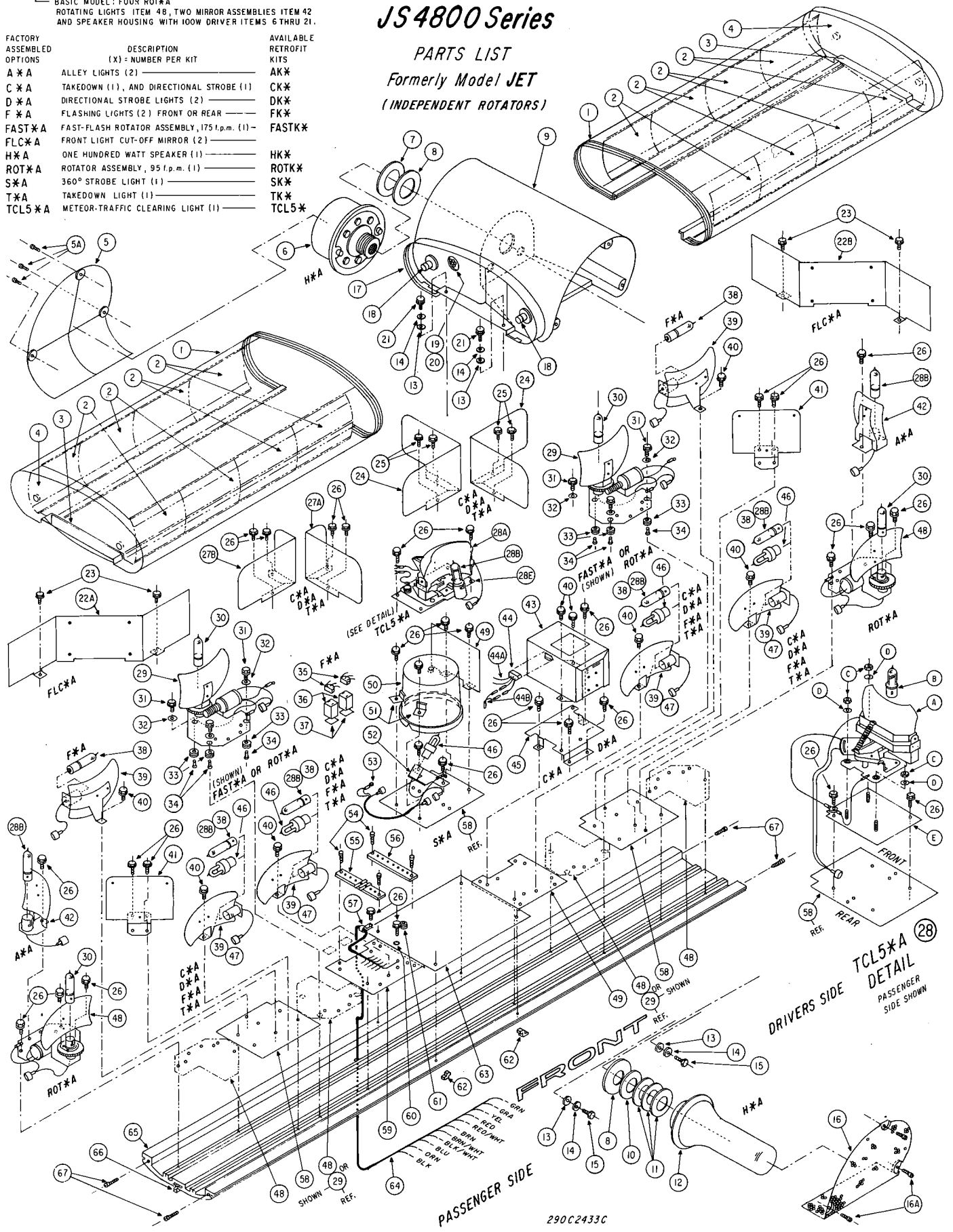
LENGTH
BASIC MODEL: FOUR ROT*A
ROTATING LIGHTS ITEM 48, TWO MIRROR ASSEMBLIES ITEM 42
AND SPEAKER HOUSING WITH 100W DRIVER ITEMS 6 THRU 21.

JETSONIC™

JS 4800 Series

PARTS LIST
Formerly Model JET
(INDEPENDENT ROTATORS)

FACTORY ASSEMBLED OPTIONS	DESCRIPTION (X) = NUMBER PER KIT	AVAILABLE RETROFIT KITS
A * A	ALLEY LIGHTS (2)	AK*
C * A	TAKEDOWN (1), AND DIRECTIONAL STROBE (1)	CK*
D * A	DIRECTIONAL STROBE LIGHTS (2)	DK*
F * A	FLASHING LIGHTS (2) FRONT OR REAR	FK*
FAST * A	FAST-FLASH ROTATOR ASSEMBLY, 175 l.p.m. (1)	FASTK*
FLC * A	FRONT LIGHT CUT-OFF MIRROR (2)	
H * A	ONE HUNDRED WATT SPEAKER (1)	HK*
ROT * A	ROTATOR ASSEMBLY, 95 l.p.m. (1)	ROTK*
S * A	360° STROBE LIGHT (1)	SK*
T * A	TAKEDOWN LIGHT (1)	TK*
TCL5 * A	METEOR-TRAFFIC CLEARING LIGHT (1)	TCL5*



JS 4800 Series
Formerly JetSonic® Model JET

Printed 1994

PPL0245
PARTS LIST

Item No.	Description	Part No.	QTY	UNIT	ASSEMBLY	REV	DATE	BY
1	Dome, Clear	8552D054B	2					
2	Insert, Clear	JSDI*C						
	Insert, Red	JSDI*R	16					
	Insert, Amber	JSDI*A	AR					
	Insert, Blue	JSDI*B						
	Insert, Green	JSDI*G						
3	Gasket, Dome	8552B047B	2					
4	Insert, End, Clear	JSEFC*C						
	Insert, End, Red	JSEFC*R	2					
	Insert, End, Amber	JSEFC*A	AR					
	Insert, End, Blue	JSEFC*B						
	Insert, End, Green	JSEFC*G						
	Insert, End, Red, w/cut-out	JSECA*R	0	2				
	Insert, End, Amber, w/cut-out	JSECA*A	0	AR				
	Insert, End, Blue, w/cut-out	JSECA*B	0	AR				
	Insert, End, Green, w/cut-out	JSECA*G	0					
5	Door, Speaker Housing	8552D059A	1					
5A	8-32 x 3/8 Screw, Plt. Hd.	7000A109-06	3					
5B	Driver, 100W	8552C059A-01	0					
6	Washer, Steel	7072A137A	0					
7	Washer, Velutex	8283A451	0					
8	Housing, Speaker	8552D057A	1					
9	Washer	8283A453	0					
10	Washer, Neoprene Rubber	8283A452	0					
11	Cone, Long	7072A028	0					
12	Washer, 1/4 Flat	7072A015	0					
13	Lockwasher, 1/4 Split	7000A311-10	0					
14	Grille, Speaker	8552C059A	1					
15	8-32 x 1/4 Screw, Hex. Hd.	7000A109-04	3					
16	Gasket, Bulkhead	8552A055A	2					
17	Bumper, Lens, Blk.	8552A056A	4					
18	Filter	8552A062A	2					
19	Plug, Vent	8552A063A	2					
20	Front Light Cut-Off Mirror	7000A311-12	4					
21	Passenger Side	8552C301A	0					
22	Driver's Side	8552C301A-01	0					
23	10-32 x 3/8 Screw, Tapite, Hex. Wash. Hd.	7011A067-06	0					
24	V-Mirror, Full (optional, used in place of item 27)	8552C245A	0	2				
25	8-32 x 5/16 Screw, Hex. Wash. Hd., Thd. Frm.	7011A148-05	0	4				
26	#10 Type B Thd. Frm. Screw, Hex. Wash. Hd.	7011A122-06	20	2	2			
27A	V-Mirror, Strobe/Takedown, Drivers Side	8552C248A-01	0	1	1			
27B	V-Mirror, Strobe/Takedown, Passenger Side	8552C248A	0	1	1			
28	Mechor - Traffic Clearing Light (complete whdw.)	TCL*5	0					1
28A	TCL*5 Mechanism Assembly	8431C001C-01	0					1
28B	Lamp, 50W, A*A, T*A, TCL*5	8107A119A	0	2				1
28C	Nut, Hex. #10-32	7059A014	0					3
28D	Washer, Flat #10	7072A020	0					3
28E	Plate, Adaptor	8552A264A	0					1
29	Rotating Light Mech. FAST*A (2 shown)	8552C266A-01	0					1
	Motor Assembly - FAST (only)	8559A055A-01	0					2
			0					AR

Item No.	Description	Part No.	QTY	UNIT	ASSEMBLY	REV	DATE	BY
30	Lamp, 50W	8107A141A	0					
31	Screw, 8-32 x 1/2, Hex. Wash. Hd., Thd. Frm.	7011A148-08	0					2
32	Washer	7072A009	0					6
33	Grommet, Rubber	8108A014	0					6
34	Spacer	8559A088A	0					6
35	Connector, Flasher F*A	8443A015B-04	0					2/1
36	Flasher Assembly	8554B010B	0					2/1
37	Pad, Adhesive	8537A533A	0					2/1
38	Lamp, 35W, F*A, T*A	8548A028A	0					2
39	Reflector Assembly (etched finish) F*A (only)	8552A269A-01	0					2
40	Screw, 10-32 x 3/8, Hex. Wash. Hd., Tapite	7011A067-06	0	2	2			1
41	Mirror Assembly	8552C289A	2					
42	Alley Light Assembly A*A	8552A288A	0	2				
43	Strobe Power Supply	J22*	0					1
44	Connector, Strobe Power	139A141	0					1
44A	Wire, Terminated		0					1
44B	Cable Assembly, Strobe	146A664A	0					1
45	Bracket, Strobe Mounting	8552C251A	0					1
46	Flash Tube Assembly, Strobe C*A, D*A	8107A127B	0					2
47	Reflector Assembly (bright finish) C*A, D*A, T*A	8552A269B	0	1	2			
48	Rotating Light Mechanism, ROT*A (only)	8552C286A	4					1
	Motor Assembly ROT*A (only)	8559A055A	AR					
49	Shield, Light	8552B289A	0					2
50	Dome, Fresnel, Clear	8550C096-06	0					2
51	Bracket, Clip	8552B287A	0					4
52	Bracket and Socket Assembly	8559A290A	0					2
53	Cable Assembly, Strobe	146B790A	0					2
54	Screw, 8-32 x 1/2, Plt. Pan Hd., Thd. Frm.	7011A062-08	4					
55	Terminal Block (7 pos. KT46 on 4 & 5)	229A202A-01	1					
56	Terminal Block (7 pos)	229A202A	1					
57	Clamp, Cable	8542A028-02	1					
58	Plate, Option	8552B286A	2					
59	Lockwasher, #10 Int. Tooth	8552C250A	2					
60	Grommet	7076A014	1					
61	Gasket, Extrusion	8108A014	1					
62	Gasket, Extrusion	8552A103A	4					
63	Plate, Center	8552C261A	1					
64	Cable, Power	175A672A	1					
65	Extrusion, Machined	8552D222A	1					
66	Extrusion, Plastic	8552A285A	1					
67	Screw, Mach. 1/4-20 x 5/8, Sil. Truss	7000A480-10	4					
	Not Shown:							
	Nameplate, JetSonic	8146B876A	2					
	Nameplate, Model I.D.	8146A940A	1					
	Label, Warning	161A463A	1					

DO NOT ORDER PARTS BY ITEM NUMBER.

Give model, description and part number.

When a part number is not supplied, the part is NOT available.

Refer to PARTS PRICE LIST (Part No. 1001) for prices of parts.

Federal Signal Corporation
2645 Federal Signal Drive
University Park, IL 60466

Printed in U.S.A.

JETSTREAM™

PARTS LIST

Model JL

JL *012
 = VOLTAGE (12V)
 F = FRONT LIGHT CUTOFF
 C = ONE TAKEDOWN LIGHT, AND ONE DIRECTIONAL STROBE
 D = TWO DIRECTIONAL STROBES
 T = TWO TAKEDOWN LIGHTS
 A = TWO ALLEY LIGHTS
 JL = JETSTREAM, Model JL

BASIC LIGHT BAR, WITH FOUR ROTATING LIGHTS,
TWO FRONT FLASHING LIGHTS, AND TWO REAR FLASHING

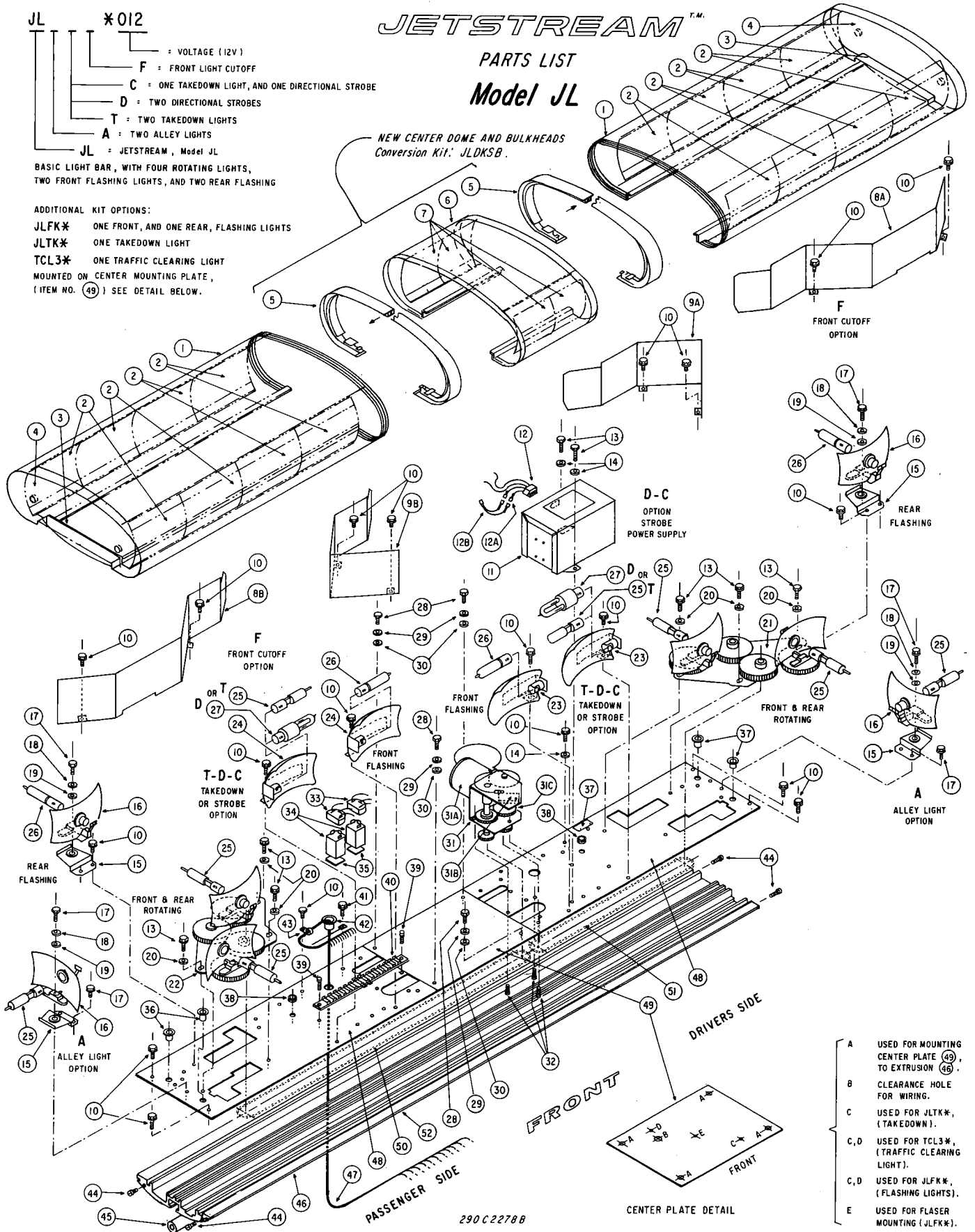
ADDITIONAL KIT OPTIONS:

JLFK* ONE FRONT, AND ONE REAR, FLASHING LIGHTS

JLTK* ONE TAKEDOWN LIGHT

TCL3* ONE TRAFFIC CLEARING LIGHT
MOUNTED ON CENTER MOUNTING PLATE,
(ITEM NO. 49) SEE DETAIL BELOW.

NEW CENTER DOME AND BULKHEADS
Conversion Kit: JLDKSB.



290 C 2278 B

Model JL Jetstream™ Light Bar

Item No.	Description	Part No.	JL	A	C	D	T	F
1	Dome, Clear	8552D054B	2					
2	Insert, Clear	JSDI*C						
	Insert, Red	JSDI*R	16					
	Insert, Amber	JSDI*A	AR					
	Insert, Blue	JSDI*B						
	Insert, Green	JSDI*G						
3	Gasket, Dome	8552B047B	2					
4	Insert, End, Clear	JSIEC*C						
	Insert, End, Red	JSIEC*R	2					
	Insert, End, Amber	JSIEC*A	AR					
	Insert, End, Blue	JSIEC*B						
	Insert, End, Green	JSIEC*G						
	Insert, End, Red, W/Cut-out	JSIECA*R	0					
	Insert, End, Amber, W/Cut-out	JSIECA*A	0	2				
	Insert, End, Blue, W/Cut-out	JSIECA*B	0	AR				
	Insert, End, Green, W/Cut-out	JSIECA*G	0					
5	Bulbhead & Gasket Assy (includes A & B below)	8552348A	2					
5A	Bulbhead	8552319A	AR					
5B	Gasket, Bulbhead	8552349A	AR					
6	Dome, New Center	8552314A	1					
7	Insert, Center, Clear	JSSI*C						
	Insert, Center, Red	JSSI*R						
	Insert, Center, Amber	JSSI*A	4					
	Insert, Center, Blue	JSSI*B	AR					
	Insert, Center, Green	JSSI*G						
	Insert, Center, Black	JSSI*BK						
8A	Mirror Assy, Driver Side	8552C296A	0					1
8B	Mirror Assy, Passenger Side	8552C297A	0					1
9	Mirror, V, Driver Side	8552C225A-01	1					
	Mirror, V, Passenger Side	8552C225A	1					
10	Screw, No. 10 Type B, Hex Hd.	7011A122-06	15	4	4	4	4	4
11	Power Supply, Strobe (J22)	J22*	0	1	1			
12	Connector, Strobe Power	139A141	0	1	1			
12A	Wire, Terminated		0	1	1			
12B	Cable Assembly, Strobe	146A664A	0	1				
13	Screw, 10-32 x 3/8 Hex Hd.	7011A067-06	6	2	2			
14	Lockwasher, No.10 Internal Tooth	7075A014	0	3	3			
15	Bracket, Lamp	8552A145A	2	2				
16	Reflector, Socket, Contact Assy.	8552A179A	2	2				
17	Screw, 10-32 x 1/4 Hex Hd.	7011A067-04	2	6				
18	Washer, Flat, No. 12	7072A022	2	2				
19	Lockwasher, No. 10 Internal Tooth	7075A014	2	2				
20	Washer, Flat, No.10	7072A010	6					
21	Gear Cluster Mechanism, Driver Side	8552C147A	1					
22	Gear Cluster Mechanism, Passenger Side	8552C147A-01	1					
23	Bracket, Lamp, Driver Side	8552A226A	1	1	1	1	1	1
24	Bracket, Lamp, Passenger Side	8552A227A	1	1	1	1	1	1

Item No.	Description	Part No.	JL	A	C	D	T	F
25	Rotating Light (replacements)							
25A	Lamp, T-4 Halogen (795)	8107A119A	4	2	1		2	
25B	Gear & Collector Ring Assembly	8552A180A	AR					
25C	Reflector, Gear & Contact Assy.	8552A178A	AR					
25D	Contact Assembly	8552A031A	AR					
26	Lamp, T-4 Halogen (796)	8548A028A	4					
27	Flash Tube Assembly, Strobe	8107A127B	0	1	2			
28	Screw, 1/4-20 x 3/8 Hex Hd.	7000A311-06	4					
29	Lockwasher, 1/4 Split	7074A015	4					
30	Washer, 1/4 Flat	7072A028	4					
31	Gear Shaft & Motor Bracket Assembly	8552C162A	1					
31A	Motor	8422B111-32-01	1AR					
31B	Microswitch	8552A112A	1AR					
31C	Worm Gear Clutch Assembly	8542A039A	AR					
32	Screw, 8-32 x 3/8 Hex Hd.	7011A054-06	3					
33	Connector, Sealed Beam	8443A015-04	2					
34	Flasher	8554B010B	2					
35	Fastener, Adhesive Pad	8597A538A	2					
36	Bushing, Snap	8552A041A	4					
37	Nameplate, Model JL	8146A940A	1					
38	Bushing, Nylon, 3/8ID	231A144	2					
39	Screw, 8-32 x 1/2 Thd. Form. Pan Hd.	7011A062-08	2					
40	Block, Terminal (14)	229A201	1					
41	Screw, Type B, #10 x 1/2 Hex Hd.	7011A122-08	1					
42	Bushing, Snap	8552A064A	1					
43	Clamp, Cable, 7/16	8542A028A-02	1					
44	Screw, 1/4-20 x 5/8 Trs. Hd.	7000A460-10	4					
45	Tubing, Extrusion Gasket	8552A104A	1					
46	Extrusion, Machined		1					
47	Cable, Power	175A572A	1					
48	Plate, Mounting		2					
49	Plate, Center	8552C042A-01	1					
50	Chain Drive, Passenger Side	8552A169A	1					
51	Chain Drive, Driver Side	8552A170A	1					
52	Label, WARNING	161A463A	1					
Not Shown	Brush Assembly	8552A011A						

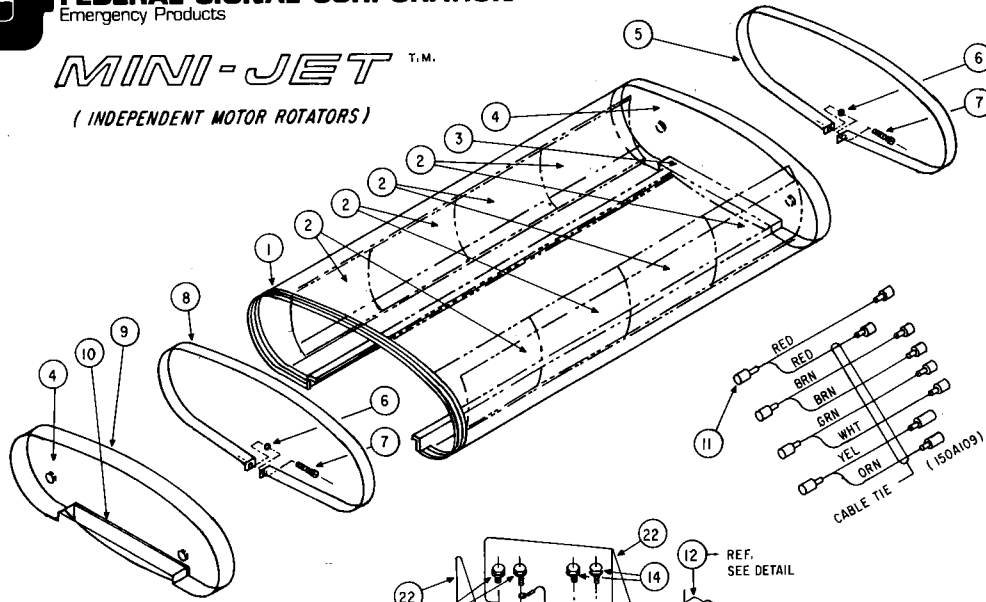
•NOTE: New Center Dome (6) to be used with Bulkheads (5) ONLY!
For converting from old center domes with retention bands, to New Center Dome with Bulkheads, order kit JLDKSB.

DO NOT ORDER PARTS BY ITEM NUMBER.
Give model, voltage, description and part number.
When a part number is not supplied, the part is NOT available.
Refer to PARTS PRICE LIST (PPL 1001) for prices of parts.

Federal Signal Corporation
2645 Federal Signal Drive
University Park, Illinois 60466

MINI-JET T.M.

(INDEPENDENT MOTOR ROTATORS)

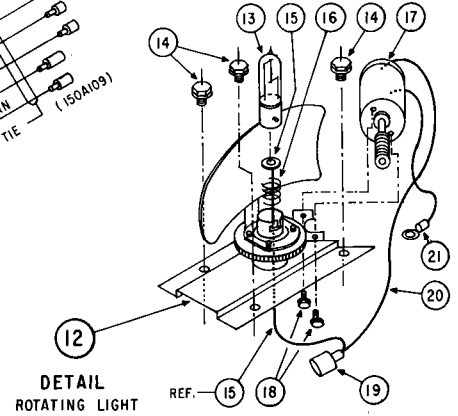
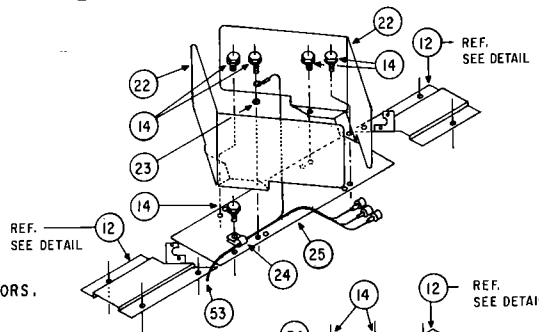


PARTS LIST FOR MODELS

- JM**
- JM-FAST**
- JM-FL**
- JM-TCL**

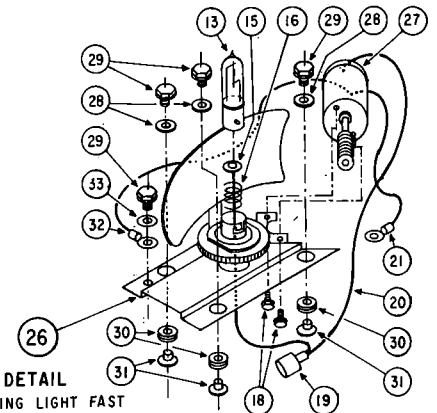
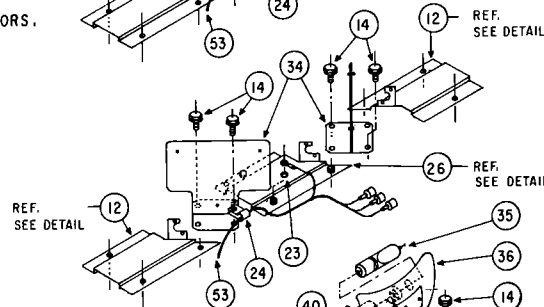
JM

2 ROTATING LIGHTS, AND 2 MIRRORS.



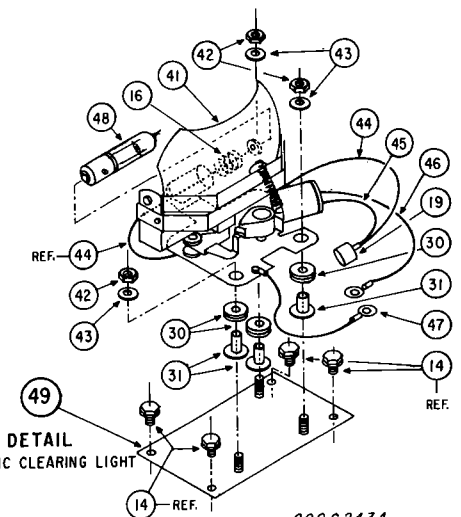
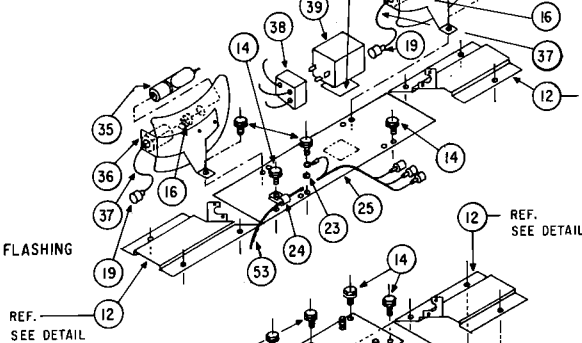
JM-FAST

2 ROTATING LIGHTS, AND 1 FAST ROTATING LIGHT.



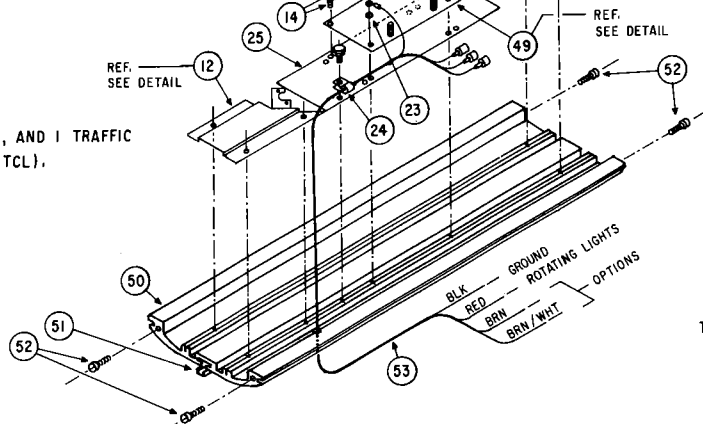
JM-FL

2 ROTATING LIGHTS, AND 2 FLASHING (OR WORK) LIGHTS.



JM-TCL

2 ROTATING LIGHTS, AND 1 TRAFFIC CLEARING LIGHT (TCL).

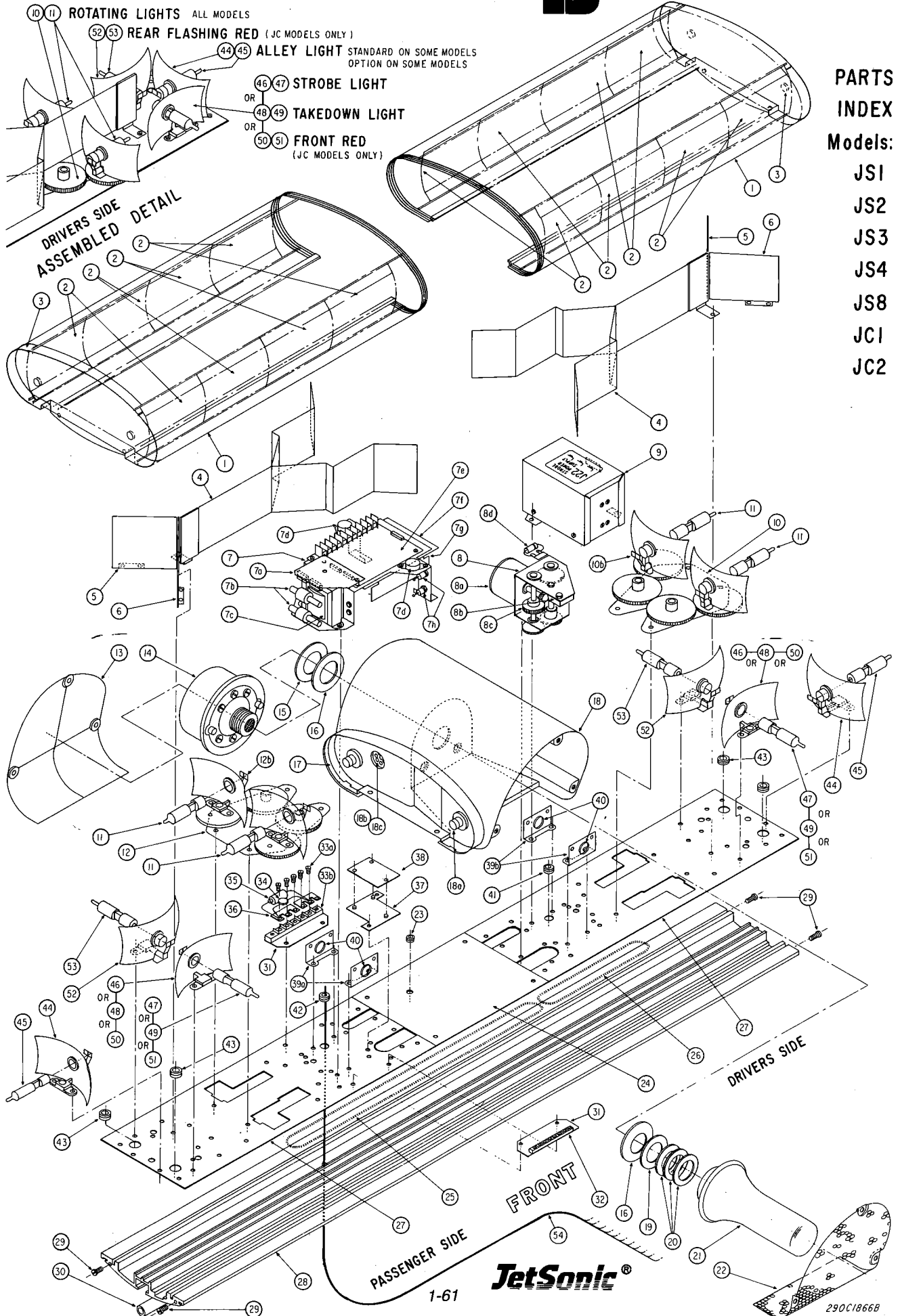


290C2434

Item No.	Description	Part No.	Q	BY	WF	RF
1	Dome, Clear	8552D054B	1	1	1	1
2	Insert, Clear	JSDI*C	8	8	8	8
	Insert, Red	JSDI*R	AR	AR	AR	AR
	Insert, Amber	JSDI*A				
	Insert, Blue	JSDI*B				
	Insert, Green	JSDI*G				
3	Gasket, Dome	8552B047B	1	1	1	1
4	Insert, End, Clear	JSIEC*C	2	2	2	2
	Insert, End, Red	JSIEC*R	AR	AR	AR	AR
	Insert, End, Amber	JSIEC*A				
	Insert, End, Blue	JSIEC*B				
	Insert, End, Green	JSIEC*G				
5	Retaining Band, Dome (17.5" long)	8552B237A-01	1	1	1	1
6	Washer, Flat, Fiber	7072A171A	2	2	2	2
7	6-32 x 1/2 Mach. Screw, Rd. Hd.	7000A059-08	2	2	2	2
8	Retaining Band, Endcap (18.5" long)	8552B237A	1	1	1	1
9	Endcap, Clear	8552286A	1	1	1	1
10	Gasket, Endcap	8552B047B-01	1	1	1	1
11	Wire Harness	146624A	1	1	1	1
12	Rotator Assembly	8552308A	2	2	2	2
13	Lamp, 50W	8107141A	2	3	2	3
14	Screw, 8-32 x 3/8, Hex. Wash. Hd., Thd. Frm.	7011A103-06	7	11	11	11
15	Wire Lead	8444A017-07	2	3	2	2
16	Spring	8444A017-02	2	3	4	3
17	Motor & Worm Gear Assembly	8559A055A	2	2	2	2
18	Screw, 4-40 x 3/16, Hex. Hd., Ind. Int. Sems	7006A016-03	4	6	4	4
19	Terminal (motor & light +)		2	3	4	0
20	Wire, Cut, 6"		2	3	2	0
21	Wire, Terminated		2	3	2	0
22	Mirror, "v", 55°	8552305B	2	0	0	0
23	Lockwasher, #10, Int. Tooth	7075A014	1	1	1	1
24	Clamp, Cable	8542A028A-01	1	1	1	1
25	Baseplate	8552310A	1	0	1	1
26	Rotator Assembly, Fast	8552306A-01	0	1	0	0
27	Motor & Worm Gear Assembly, Fast	8559A055A-01	0	1	0	0
28	Washer, Flat #8	7072A020	0	3	0	0
29	Screw, 8-32 x 5/8 Hex. Wash. Hd., Thd. Frm.	7011A135-10	0	3	0	0
30	Grommet, Rubber	8106A014	0	3	0	3
31	Spacer	8559A088A	0	3	0	3
32	Wire, Terminated (chassis ground)		0	1	0	0
33	Lockwasher, #10, Ext. Tooth	7075A026	0	1	0	0
34	Mirror Assembly	8552320A	0	2	0	0
35	Lamp, 35W	8549A028A	0	0	2	0
36	Light Assembly	8552A269A-01	0	0	2	0
37	Wire, Lead	8444A017-04	0	0	2	0
38	Connector	8443A015B-02	0	0	1	0

Item No.	Description	Part No.	Q	BY	WF	RF
39	Flasher	8554B010B	0	0	1	0
40	Fastener, Adhesive	8537A533A	0	0	1	0
41	Mechanism Assembly, TCL*5	8431C001B-01	0	0	0	1
42	10-32 Hex. Nut, Dbl. Chamf.	7059A014	0	0	0	3
43	Washer, Flat, #10	7072A020	0	0	0	3
44	Wire, Lead, Red (light +)		0	0	0	1
45	Wire, Cut, Red (motor +)		0	0	0	1
46	Wire, Terminated, Blk (motor -)		0	0	0	1
47	Wire, Terminated, Blk (light -)		0	0	0	1
48	Lamp, 50W	8107A119A	0	1	0	0
49	Plate, Adaptor	8552A264A	0	0	0	1
50	Extrusion, Machined	8552302A	1	1	1	1
51	Extrusion, Plastic	8552A285A-01	1	1	1	1
52	Screw, Mach., 1/4-20 x 5/8, Slit. Truss Hd.	7000A460-10	4	4	4	4
53	Cable, Power, 15 ft.	175664A	1	1	1	1
	Not Shown:					
	Label, Mini-Jet	8146B1040	1	1	1	1
	Label, Warning	161A463A	1	1	1	1
	Label, JetStream	81461066	1	1	1	1
	Label, Nameplate, Model	8146A940A	1	1	1	1
	Mounting Kit, Magnetic	JMMK	AR	AR	AR	AR
	Mounting Kit, Permanent	JMPK	AR	AR	AR	AR

DO NOT ORDER PARTS BY ITEM NUMBER.
Give model, description and part number.
When a part number is not supplied, the part is NOT available.
Refer to PARTS PRICE LIST (Part No. 1001) for prices of parts.
Federal Signal Corporation
2645 Federal Signal Drive
University Park, IL 60466



- PARTS INDEX**
- Models:**
- JS1
 - JS2
 - JS3
 - JS4
 - JS8
 - JC1
 - JC2

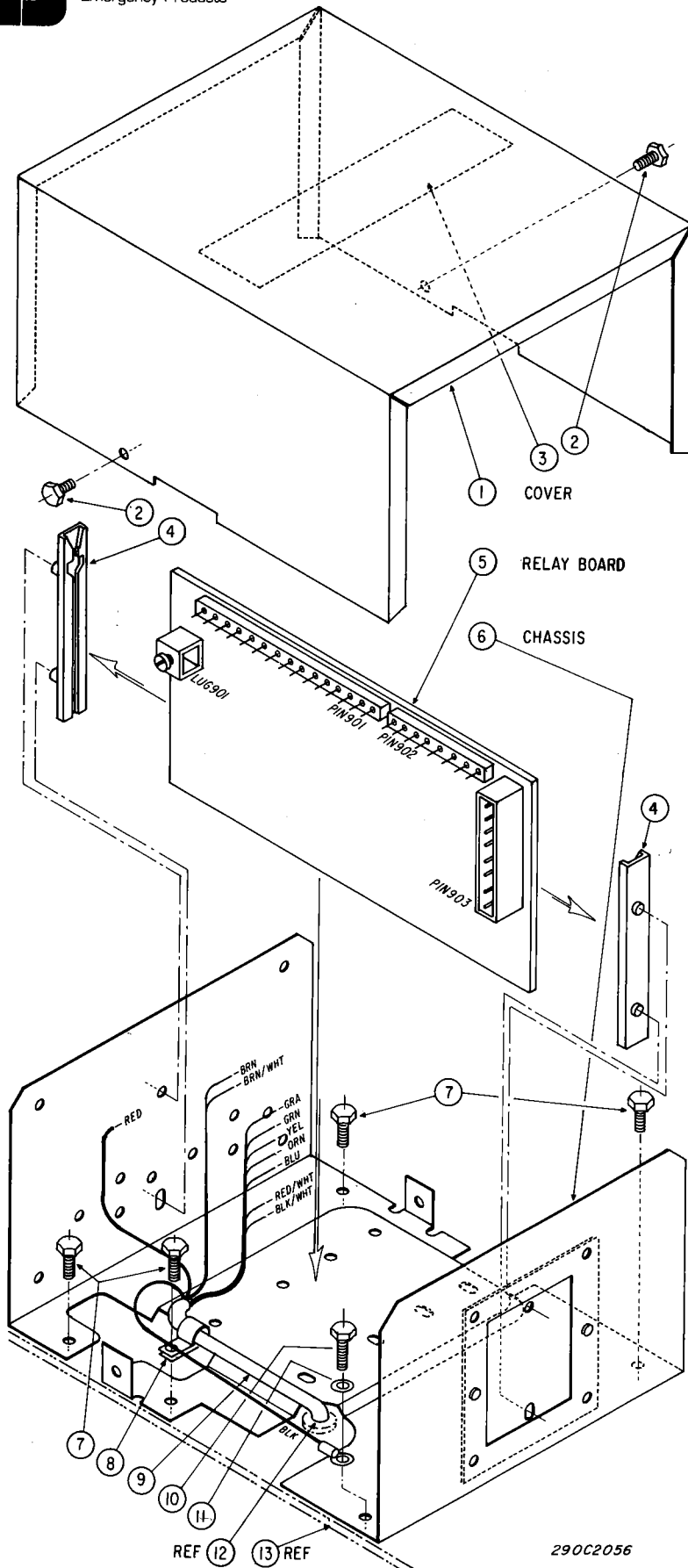
PPL 0189
PARTS LIST

Item No.	Description	Part No.	JS1		JS2		JS3		JS4		JS8		JCI		JC2	
			W/S	W/T	W/S	W/T	W/S	W/T	W/S	W/T	W/S	W/T	W/S	W/T	W/S	W/T
1	Dome, Clear	8552D064B	2	2	2	2	2	2	2	2	2	2	2	2	2	2
2	Insert, Clear	JSD1*G	16	16	16	16	16	16	16	16	16	16	16	16	16	16
	Insert, Red	JSD1*R	AR	AR	AR	AR	AR	AR	AR	AR	AR	AR	AR	AR	AR	AR
	Insert, Amber	JSD1*A														
	Insert, Blue	JSD1*B														
	Insert, Green	JSD1*G														
3	Insert, End, Clear	JSD1*G	2	2	2	2	2	2	2	2	2	2	2	2	2	2
	Insert, End, Red	JSD1*R	AR	AR	AR	AR	AR	AR	AR	AR	AR	AR	AR	AR	AR	AR
	Insert, End, Amber	JSD1*A														
	Insert, End, Blue	JSD1*B														
	Insert, End, Green	JSD1*G														
	Insert, End, Red, W/Outout	JSD1CA*R	2	2	2	2	2	2	2	2	2	2	2	2	2	2
	Insert, End, Amber, W/Outout	JSD1CA*A	AR	AR	AR	AR	AR	AR	AR	AR	AR	AR	AR	AR	AR	AR
	Insert, End, Blue, W/Outout	JSD1CA*B														
	Insert, End, Green, W/Outout	JSD1CA*G														
4	Mirror Assembly, Long (double)		2	2	2	2	2	2	2	2	2	2	2	2	2	2
	Mirror Assembly, Long (single)		0	0	0	0	0	0	0	0	0	0	0	0	0	0
	Mirror Assembly, Short (rear)		2	2	2	2	2	2	2	2	2	2	2	2	2	2
	Onit on JC Models															
6	Mirror Assembly, Short (front)		2	0	0	2	0	0	0	2	0	0	0	0	0	0
	Onit with Strobe and Takedown															
7	Amplifier Chassis Assembly		0	0	0	1	1	0	1	0	0	0	0	0	0	1
7A	Noise Inhibitor P.C. Board	143A110	0	0	0	1	1	0	1	0	0	0	0	0	0	1
7B	Fuse Holder		0	0	0	2	2	0	2	0	2	0	0	0	2	2
7C	Transformer, Output, 100W		0	0	0	1	1	0	1	0	0	0	0	0	0	1
7D	Transistor, 2N5885	125B432A	0	0	0	2	2	0	2	0	2	0	0	0	2	2
7E	Interface P.C. Board		0	0	0	1	1	0	1	0	0	0	0	0	0	1
7F	Siren Module P.C. Board		0	0	0	1	1	0	1	0	0	0	0	0	0	1
7G	Air Horn P.C. Board (optional)		0	0	0	OP	OP	0	OP	0	0	0	0	0	OP	OP
7H	Rectifier, 368AR, 15A, 60V	115A311	0	0	0	2	2	0	2	0	2	0	0	0	2	2
8	Motor Bracket, Gear & Shaft Assy.		1	1	1	1	1	1	1	1	1	1	1	1	1	1
	Motor Bracket, Gear & Shaft Assy. (Calif.)		0	0	0	0	0	0	0	0	0	0	0	0	0	0
8A	Motor (replacement)	8422B111-25-01	AR	AR	AR	AR	AR	AR	AR	AR	AR	AR	AR	AR	AR	AR
8B	Switch, Micro (replacement)	8552A112A	AR	AR	AR	AR	AR	AR	AR	AR	AR	AR	AR	AR	AR	AR
8C	Worm Gear (replacement)	8542A039A	AR	AR	AR	AR	AR	AR	AR	AR	AR	AR	AR	AR	AR	AR
8D	Diode, Motor (replacement)	115A318A	AR	AR	AR	AR	AR	AR	AR	AR	AR	AR	AR	AR	AR	AR
8E	Solenoid Kit	8552A120A	AR	AR	AR	AR	AR	AR	AR	AR	AR	AR	AR	AR	AR	AR
9	J22 Strobe Power Supply	J22*	0	1	0	0	1	0	0	0	0	0	0	1	0	0
10	Gear Cluster Mechanism Assembly :															
	Driver's Side (2 rotating lights)		1	1	1	1	1	1	1	1	1	1	1	1	1	1
	Driver's Side (1 rotating light)		0	0	0	0	0	0	0	0	0	0	0	0	0	0
10A	Retaining Ring E (for rotating reflector shaft)	8550A022A	AR	AR	AR	AR	AR	AR	AR	AR	AR	AR	AR	AR	AR	AR
10B	Reflector, Socket & Contact Assembly	8552A179A	AR	AR	AR	AR	AR	AR	AR	AR	AR	AR	AR	AR	AR	AR
11	Lamp, 74 Halogen	8107A119A	4	4	4	4	4	4	4	4	4	4	4	4	4	4
11A	Lamp Contact Assembly	8552A031A	AR	AR	AR	AR	AR	AR	AR	AR	AR	AR	AR	AR	AR	AR
12	Gear Cluster Mechanism Assembly :															
	Passenger Side (2 rotating lights)		1	1	1	1	1	1	1	1	1	1	1	1	1	1
	Passenger Side (1 rotating light)		0	0	0	0	0	0	0	0	0	0	0	0	0	0
12A	Retaining Ring E (for rotating reflector shaft)	8550A022A	AR	AR	AR	AR	AR	AR	AR	AR	AR	AR	AR	AR	AR	AR
12B	Reflector, Socket & Contact Assembly	8552A179A	AR	AR	AR	AR	AR	AR	AR	AR	AR	AR	AR	AR	AR	AR
13	Door, Speaker Housing	8552D059A	1	1	1	1	1	1	1	1	1	1	1	1	1	1
14/21	OPTIONAL EQUIPMENT															
14	Driver, Speaker, SA70	8283B433-01	1AR	1AR	1AR	1AR	1AR	1AR	1AR	1AR	1AR	1AR	1AR	1AR	1AR	1AR
	Driver, Speaker, SA370, 100W	8556C053A-01														
15	Washer, Steel	7072A137A	1	1	1	1	1	1	1	1	1	1	1	1	1	1
16	Washer, Velutex	8283A451	2	2	2	2	2	2	2	2	2	2	2	2	2	2
17	Gasket, Bulkhead	8552A055A	2	2	2	2	2	2	2	2	2	2	2	2	2	2

KEY : W/S - With/Strobe, W/T - With/Takedown
 AR - AS REQUIRED
 OP - OPTIONAL
 0 - NOT REQUIRED
 2/1/0 - 2 OR 1 OR 0 (OPTIONAL)
 2/1 - 2 OR 1 (OPTIONAL)

DO NOT ORDER PARTS BY ITEM NUMBER.
 Give model, voltage, description, and part number.
 When a part number is not supplied, the part is NOT available.
 Refer to PARTS PRICE LIST (Part No. 1001) for prices of parts.
 Federal Signal Corporation
 2645 Federal Signal Drive
 University Park, IL 60466

**CHASSIS ASSEMBLY,
JetSonic (JS)
WITHOUT AMPLIFIER**



**Chassis Assembly, JetSonic®(JS)
Without Amplifier**

PPL 0207

Printed 1994

PARTS LIST

Item No.	Description	Part No.	Qty.
1	Cover	8552C160A	1
2	6-32 x 3/16 Screw, Hex Hd., Indent	7000A309-03	2
3	Gasket, JS	8552A083-01	1
4	Guide, Card	8552A066A	2
5A	Board, P.C. Assy. Relay	200C912C	1AR
5B	Board, P.C. Assy. Relay (California)	200C957B	1AR
6	Chassis, Sub-Assy.	8552D193A	1
7	#10 x 3/8 Type B Thd. Frm. Screw, Hex Wsh. Hd.	7011A122-06	4
8	Clamp, Cable	8542A028-02	1
9	•Cable Assembly	175A546A	0
10	#10 x 1/2 Type B Thd. Frm. Screw, Hex Wsh. Hd.	7011A122-0	1
11	#10 Lockwasher, Int. Tooth	7075A014	1
12	•Bushing, Snap (2836)	8552A064A	0
13	•Plate, Mounting		0
• 0 Qty. indicates for reference only, parts called out on PPL 0205.			

DO NOT ORDER PARTS BY ITEM NUMBER.
Give model, description, and part number.
When a part number is not supplied, the part is NOT available.
Refer to PARTS PRICE LIST (Part No. 1001) for prices of parts.

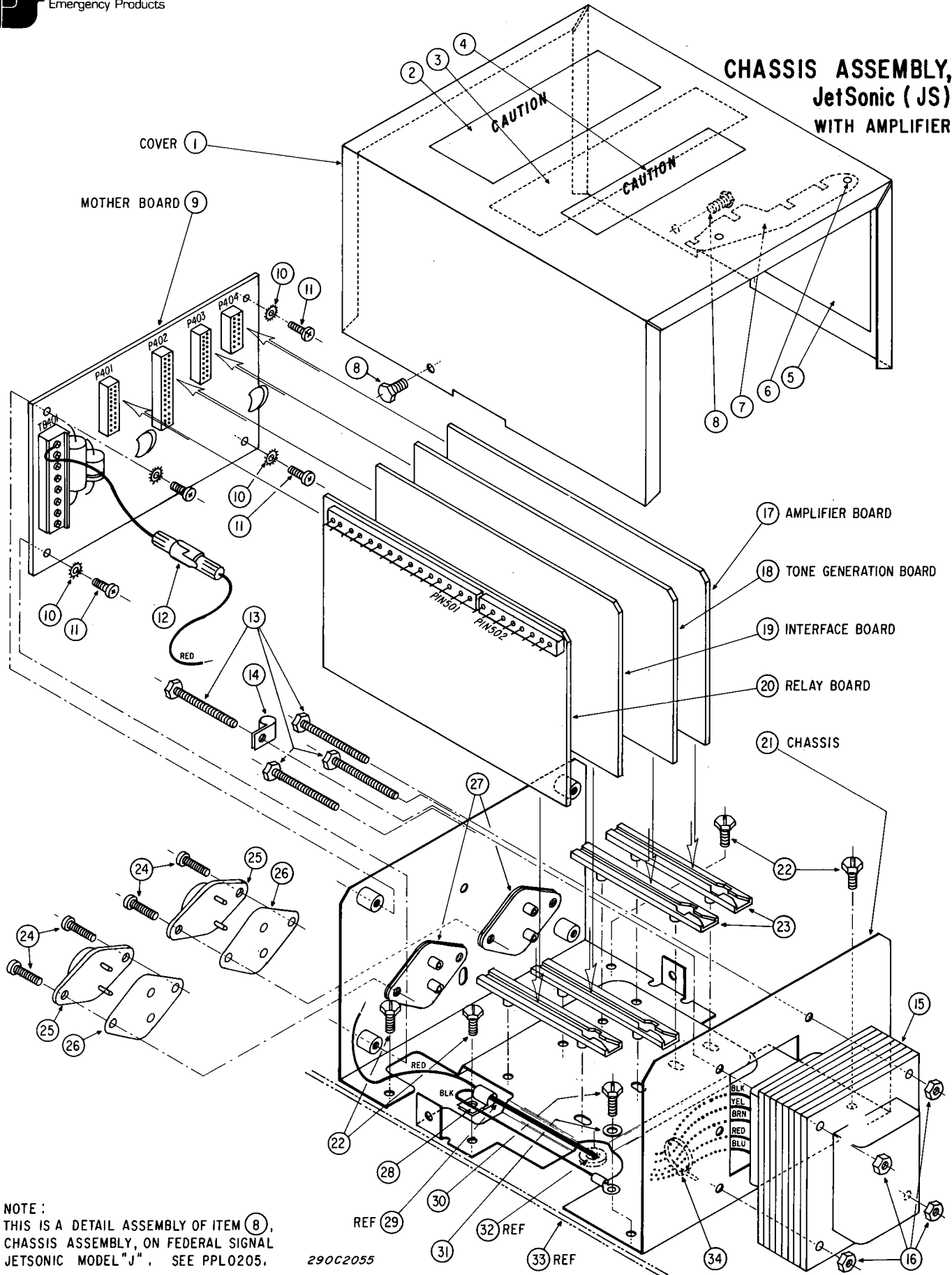
Federal Signal Corporation
2645 Federal Signal Drive
University Park, IL 60466

Printed in U.S.A.

NOTE: THIS IS A DETAIL ASSEMBLY OF ITEM (8),
CHASSIS ASSEMBLY, ON FEDERAL SIGNAL
JETSONIC MODEL "J". SEE PPL 0205.

290C2056

**CHASSIS ASSEMBLY,
JetSonic (JS)
WITH AMPLIFIER**



NOTE:
THIS IS A DETAIL ASSEMBLY OF ITEM (8),
CHASSIS ASSEMBLY, ON FEDERAL SIGNAL
JETSONIC MODEL "J". SEE PPL0205.

290C2055

**Chassis Assembly, JetSonic (JS)
With Amplifier**

PPL 0206
PARTS LIST

Printed 1994

Item No.	Description	Part No.	Qty.
1	Cover, Amplifier	8552C160A	1
2	Label, Caution	161A383	1
3	Gasket, JS	8552A083-01	1
4	Label, Caution	161A384	1
5	Label, JetSonic With Siren	8146A939	1
6	Rivet, Brass, Semi-Tubular	7097A111-14	2
7	Guide, PC Board Alignment	8552C165A	1
8	8-32 x 1/4 Screw, Hex Hd., Taptite	7011A043-04	2
9A	Board, P.C. Assembly, Mother Board	200C895A	1AR
9B	California Interface	200C959A	1AR
10	#6 Lockwasher, Ext. Tooth	7075A002	4
11	6-32 x 3/8 Screw, Pan Hd., Phl.	7000A404-06	4
12	Fuse Assembly	200A911A	1
13	6-32 x 1-1/4 Screw, Hex Hd., Indent	7000A309-20	4
14	Clamp, Cable	150A117	1
15	Transformer	120C151A-03	1
16	6-32 Nut, Hex, Ext. Keps	7058A035	4
17	Board, P.C. Assembly, Amplifier	200C897C	1
18	Board, P.C. Assembly, Tone Generation	200C898A	1
19	Board, P.C. Assembly, Interface	200C896A	1
20	Board, P.C. Assembly, Relay	200C894B	1
21	Chassis, Sub-Assembly	8552C175A	1
22	#10 x 3/8 Type B Thd. Frm. Scr., Hex Wsh. Hd.	7011A122-06	4
23	Guide, Card	8552A066A	4
24	#6 Type B Sht. Mtl. Screw, Pan Hd., Phl.	7011A041-08	4
25	Transistor, Power, 2N5885, NPN	125B432A	2
26	Insulator, Transistor, Thermal Conductive	235A123A-01	2
27	Socket, Transistor	138A125	2
28	Clamp, Cable	8542A028A-02	1
29	•Cable, Power	175A544A	0
30	#10 x 1/2 Type B Thd. Frm. Scr., Hex Wsh. Hd.	7011A122-08	1
31	#10 Lockwasher, Int. Tooth	7075A014	1
32	•Bushing, Snap (2836)	8552A064A	0
33	•Plate, Mounting	8552D161A	0
34	Clamp, Cable Tie Wrap	150A109	1
	• 0 Qty. indicates for reference only, parts called out on PPL 0205.		

DO NOT ORDER PARTS BY ITEM NUMBER.

Give model, description, and part number.

Refer to PARTS PRICE LIST (Part No. 1001) for prices of parts.

Federal Signal Corporation
2645 Federal Signal Drive
University Park, IL 60466

Printed in U.S.A.

JSL 4800

LENGTH
ALL LIGHT LIGHTBAR
BASIC MODEL: FOUR ROT*A ROTATING LIGHTS ITEM 34
AND TWO MIRROR ASSEMBLIES ITEM 27.

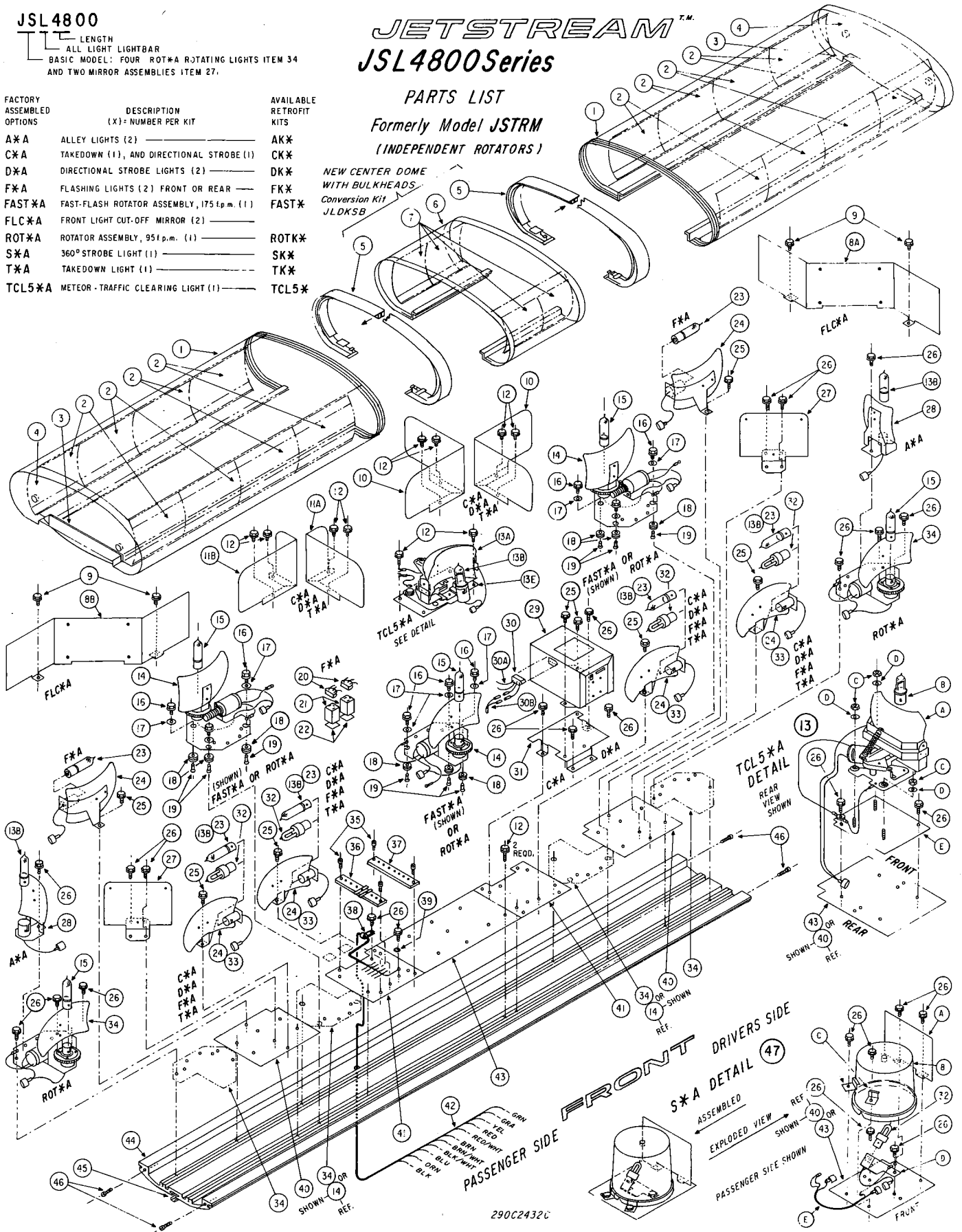
JETSTREAM™
JSL4800Series

PARTS LIST

Formerly Model JSTRM
(INDEPENDENT ROTATORS)

FACTORY ASSEMBLED OPTIONS	DESCRIPTION (X) = NUMBER PER KIT	AVAILABLE RETROFIT KITS
A*A	ALLEY LIGHTS (2)	AK*
C*A	TAKEDOWN (1), AND DIRECTIONAL STROBE (1)	CK*
D*A	DIRECTIONAL STROBE LIGHTS (2)	DK*
F*A	FLASHING LIGHTS (2) FRONT OR REAR	FK*
FAST*A	FAST-FLASH ROTATOR ASSEMBLY, 175 l.p.m. (1)	FAST*
FLC*A	FRONT LIGHT CUT-OFF MIRROR (2)	ROTK*
ROT*A	ROTATOR ASSEMBLY, 95 l.p.m. (1)	SK*
S*A	360° STROBE LIGHT (1)	TK*
T*A	TAKEDOWN LIGHT (1)	TCL5*
TCL5*A	METEOR - TRAFFIC CLEARING LIGHT (1)	

NEW CENTER DOME WITH BULKHEADS
Conversion Kit
JLDKSB



290C2432C

JSL 4800 Series
Formerly JetStream Model JSTRM

Printed 1994

PPL 0244
PARTS LIST

Item No.	Description	Part No.	JSTRM	A*A	C*A	D*A	F*A	FAST*A	FLC*A	S*A	T*A	TCL5*A
1	Dome, Clear	8552D064	2									
2	Insert, Clear	JSDI*C	16									
	Insert, Red	JSDI*R	AR									
	Insert, Amber	JSDI*A										
	Insert, Blue	JSDI*B										
	Insert, Green	JSDI*G										
3	Gasket, Dome	8552B047B	2									
4	Insert, End, Clear	JSEIC*C	2									
	Insert, End, Red	JSEIC*R	AR									
	Insert, End, Amber	JSEIC*A										
	Insert, End, Blue	JSEIC*B										
	Insert, End, Green	JSEIC*G										
	Insert, End, Red, w/cut-out	JSEICAR	0									
	Insert, End, Amber, w/cut-out	JSEICAA	0	2								
	Insert, End, Blue, w/cut-out	JSEICAB	0	AR								
	Insert, End, Green, w/cut-out	JSEICAG	0									
5	Bulbhead & Gasket Assembly	8552348A	2									
5A	Bulbhead (only)		AR									
5B	Gasket, Bulbhead (only)	8552349A	AR									
6	Dome, New Center	8552314A	1									
7	Insert, Center, Clear	JSSI*C	4									
	Insert, Center, Red	JSSI*R	AR									
	Insert, Center, Amber	JSSI*A										
	Insert, Center, Blue	JSSI*B										
	Insert, Center, Green	JSSI*G										
	Insert, Center, Black	JSSI*BK										
8	Front Light Cut-Off Mirror FLC*A		0									
8A	Passenger Side	8552C301A	0									
8B	Driver's Side	8552C301A-01	0									
9	Screw, 10-32 x 1/2 Taplite, Hex. Wash. Hd.	7011A06708	0									
10	V-Mirror, Full (optional, used in place of item 11)	8552C245A	0	2	2							
11A	V-Mirror, Strobe/Takedown, Drivers Side	8552C248A-01	0	1	1							
11B	V-Mirror, Strobe/Takedown, Passenger Side	8552C248A	0	1	1							
12	Screw, 8-32 x 5/16, Thd. Frm., Hex. Wash. Hd.	7011A14805	0	4	4							
13	Meteor - Traffic Clearing Light (complete w/hardware)	TCL5*	0									
13A	TCL5* Mechanism Assembly	8431C001C-01	0									
13B	Lamp, 60W A*A, T*A, TCL5*	8107A119A	0	2								
13C	Nut, Hex #10-32	7059A014	0									
13D	Washer, Flat #10	7072A090	0									
13E	Plate Adaptor	8552A264A	0									
14	Rotating Light Mechanism, FAST*A (3 shown)	8552C266A-01	0									
	Motor Assembly - FAST (only)	8559A055A-01	0									
15	Lamp, 60W	8107141A	0									
16	Screw, 8-32 x 1/2, Hex. Wash. Hd., Thd. Frm.	7011A14808	0									
17	Washer	7072A009	0									
18	Grommet, Rubber	8109A014	0									
19	Spacer	8559A088A	0									
20	Connector, Flasher F*A	8449A015B-04	0									2/1

Item No.	Description	Part No.	JSTRM	A*A	C*A	D*A	F*A	FAST*A	FLC*A	S*A	T*A	TCL5*A
21	Flasher Assembly	8554B010B	0									
22	Pad, Adhesive	8537A533A	0									
23	Lamp, 35W F*A and T*A	8549A028A	0									
24	Reflector Assembly (etched finish) F*A (only)	8552A269A-01	0									
25	Screw, 10-32 x 3/8, Hex. Wash. Hd. Taplite	7011A06706	0									
26	Screw, #10 x 3/8 Type B Thd. Frm., Slit. Hex. Wash. Hd.	7011A12206	22									
27	Mirror Assembly	8552C299A	2									
28	Alley Light Assembly A*A	8552A268A	0	2								
29	Strobe Power Supply	J22*012	0									
30	Connector, Strobe Power	139A141	0									
30A	Wire, Terminated		0	1	1							
30B	Cable Assembly, Strobe	146A664A	0	1	1							
31	Bracket, Strobe Mounting	8552C261A	0	1	1							
32	Flash Tube Assembly, Strobe C*A, D*A, S*A	8107A127B	0	1	2							
33	Reflector Assembly (bright finish) C*A, D*A, T*A	8552A269A	0	2	2							
34	Rotating Light Mechanism, ROT*A (only)	8552C266A	4									
	Motor Assembly ROT*A (only)	8559A055A	AR									
36	Screw, 8-32 x 1/2 Phil. Pan Hd., Thd. Frm.	7011A06208	4									
36	Terminal Block (7 pos. KTW6 on 4 & 5)	229A202A-01	1									
37	Terminal Block (7 pos.)	229A202A	1									
38	Clamp, Cable	854A028A-02	1									
39	Lockwasher, #10 Int. Tooth	7075A014	1									
40	Plate, Option	8552B265A	2									
41	Plate, Mounting	8552C250A	2									
42	Cable, Power	175A572A	1									
43	Plate, Center	8552B271A	1									
44	Extrusion, Machined	8552D222A	1									
45	Extrusion, Plastic	8552A285A	1									
46	Screw, Mach., 1/4-20 x 5/8, Slit. Truss Hd.	7000A460-10	4									
47	360° Strobe	S*A	0									
47A	Shield, Light	8552B289A	0									
47B	Dome, Fresnel (clear)	8550C095A-06	0									
47C	Bracket, Clip	8552B287A	0									
47D	Bracket & Socket Assembly	8552A290A	0									
47E	Cable Assembly, Strobe	146B796A	0									
	Not Shown											
	Nameplate, JetSonic	8146B876A	2									
	Nameplate, Model I.D.	8146A940A	1									
	Label, Warning	161A463A	1									

• NOTE: New Center Dome (6) to be used with Bulbheads (6) ONLY!
For conversion from old center domes with retention bands, to New Center Dome with Bulbheads, order kit JLDKSB.

DO NOT ORDER PARTS BY ITEM NUMBER.
Give model, description and part number.
When a part number is not supplied, the part is NOT available.
Refer to PARTS PRICE LIST (Part No. 1001) for prices of parts.
Federal Signal Corporation
2645 Federal Signal Drive
University Park, IL 60466

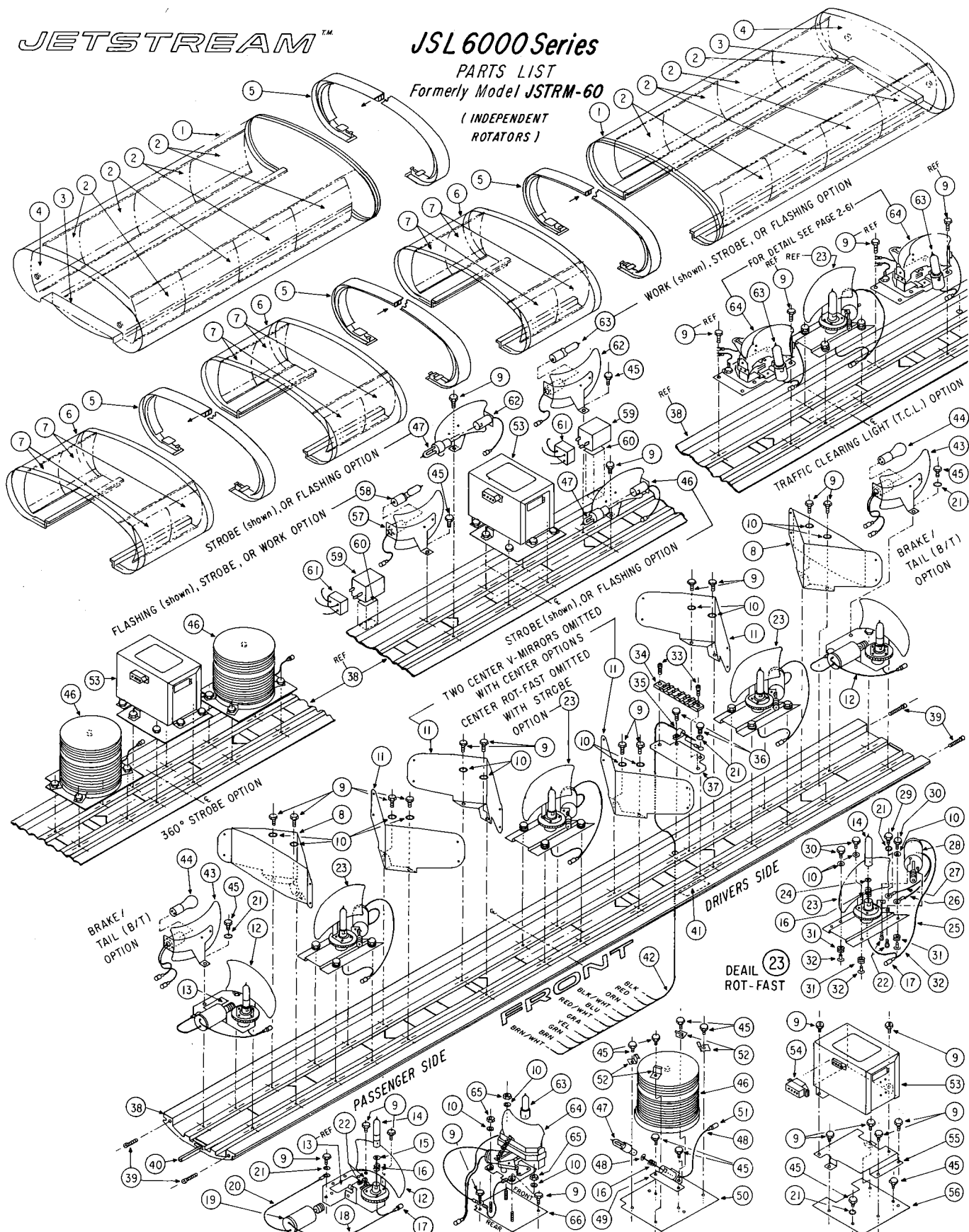
Printed in U.S.A.

JETSTREAM™

JSL 6000 Series

PARTS LIST
Formerly Model JSTRM-60

(INDEPENDENT
ROTATORS)



290C2501B

12 DETAIL: ROT (Rotating Light)

64 DETAIL: T.C.L.

46 DETAIL: 360° STROBE

53 DETAIL: J22

JSL 6000 Series

Formerly JetStream Model JS1RM-60

Printed 1994

PPL 0253
PARTS LIST

Item No.	Description	Part No.	STANDARD	B/T	360° STROBE	DIR STROBE	T.C.L.	F	W
1	Dome, Clear	8552D064B	2						
2	Insert, Clear	JSDI*C							
	Insert, Red	JSDI*R	16						
	Insert, Amber	JSDI*A	AR						
	Insert, Blue	JSDI*B							
	Insert, Green	JSDI*G							
3	Gasket, Dome	8552B047B	2						
4	Insert, End, Clear	JSIEC*C							
	Insert, End, Red	JSIEC*R	2						
	Insert, End, Amber	JSIEC*A	AR						
	Insert, End, Blue	JSIEC*B							
	Insert, End, Green	JSIEC*G							
5	Bulkhead & Gasket Assembly	8552348A	4						
6	Dome, Center, Clear	JSCI-C	3						
7	Insert, Center, Clear	JSCI-R							
	Insert, Center, Red	JSCI-A	12						
	Insert, Center, Amber	JSCI-B	AR						
	Insert, Center, Blue	JSCI-G							
	Insert, Center, Green								
8	V-Mirror Assembly (end)	8552341A	2	2	2	2	2	2	2
9	#10 Screw x 3/8 Type B Thd. Frm., Slit Hex Wash. Hd.	7011A122-06	18	18	4	6	2		
10	#10 Washer, Flat	7072A020	21	21	18	18	18	18	18
11	V-Mirror	8552305B	4	4	2	2	2	2	2
12	ROT Reflector Mech. Assembly	8552C266A	2						
13	Nameplate, JS1RM	81461087-05	1						
14	Lamp, 795 Vert. Filament	8107141A	5	5	4	4	4	4	4
15	Lead & Contact	8444A017-04	2						
16	Spring	8444A017-02	5	5	4	4	4	4	4
17	Terminal, Insulated		5	5	4	4	4	4	4
18	Lead (motor pos.)		2						
19	Motor (only)	8559A055A	2						
20	Lead (motor neg.)		2						
21	#10 Lockwasher, Int. Tooth	7075A014	8	8	1				
22	4-40 x 3/16 Mach. Screw, Hex Hd. Indented	7006A016-03	10	10	8	8	8	8	8
23	ROT-FAST Reflector Mech. Assembly	8552308A-01	3	3	2	2	2	2	2
24	Lead (lamp pos.)	8444A017-07	3	3	2	2	2	2	2
25	Lead (motor pos.)		3	3	2	2	2	2	2
26	Lead (motor neg.)		3	3	2	2	2	2	2
27	Lead (motor grd.)		3	3	2	2	2	2	2
28	Motor & Worm Gear Assembly	8559A055A-01	3	3	2	2	2	2	2
29	8-32 x 5/16 Screw, Thd. Frm., Hex Wash. Hd.	7011A148-05	3	3	2	2	2	2	2
30	#10 Screw x 5/8, Type B Thd. Frm., Slit Hex Wash. Hd.	7011A135-10	9	9	6	6	6	6	6
31	Crommet	8108A014	9	9	6	6	6	6	6

DO NOT ORDER PARTS BY ITEM NUMBER.

Give model, description and part number.

When a part number is not supplied, the part is NOT available.

Refer to PARTS PRICE LIST (Part No. 1001) for prices of parts.

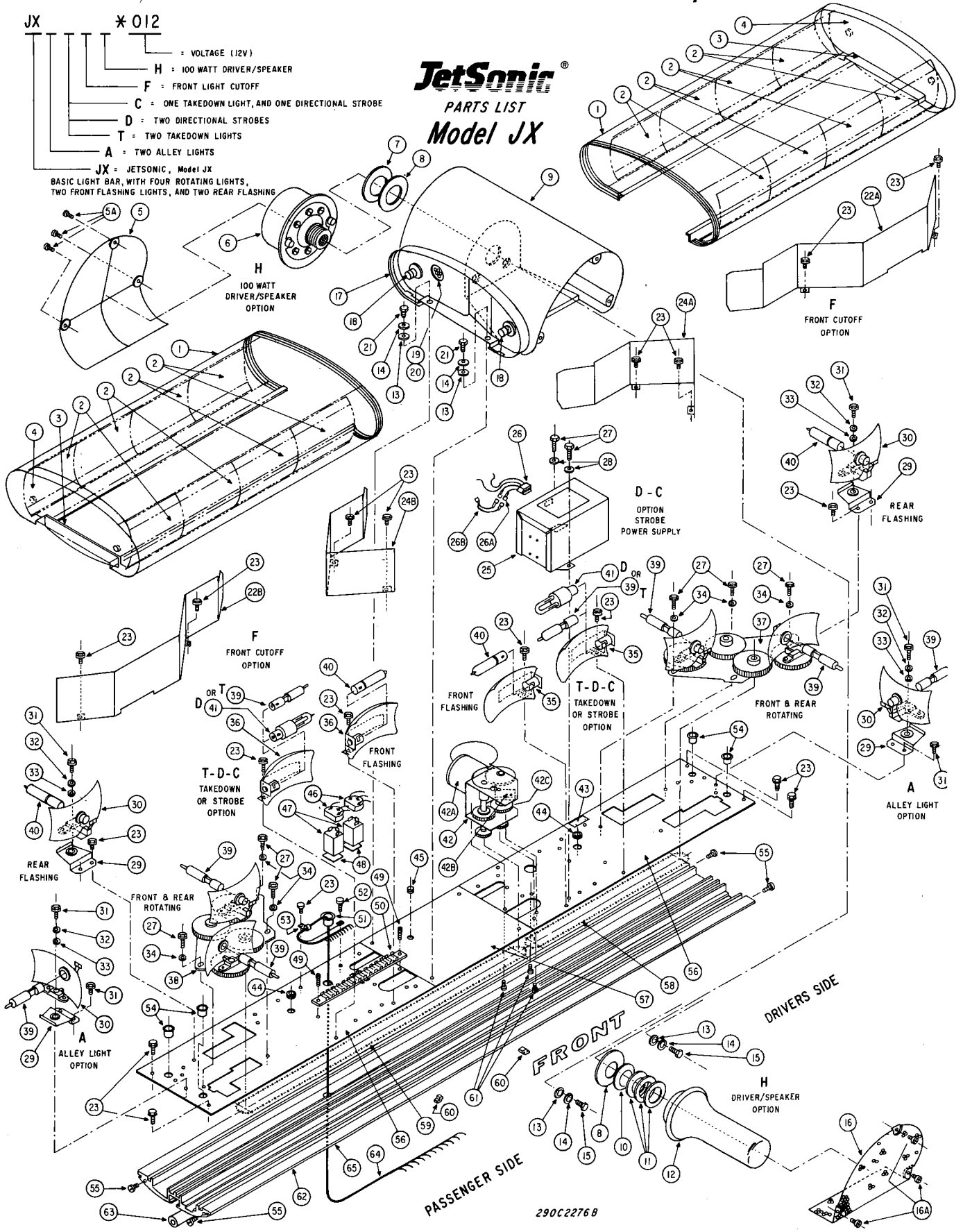
Federal Signal Corporation

2645 Federal Signal Drive

University Park, IL 60466

Printed in U.S.A.

JetSonic®
PARTS LIST
Model JX



JX * 012

- = VOLTAGE (12V)
- H = 100 WATT DRIVER/SPEAKER
- F = FRONT LIGHT CUTOFF
- C = ONE TAKEDOWN LIGHT, AND ONE DIRECTIONAL STROBE
- D = TWO DIRECTIONAL STROBES
- T = TWO TAKEDOWN LIGHTS
- A = TWO ALLEY LIGHTS

JX = JETSONIC, Model JX
BASIC LIGHT BAR, WITH FOUR ROTATING LIGHTS,
TWO FRONT FLASHING LIGHTS, AND TWO REAR FLASHING

H
100 WATT
DRIVER/SPEAKER
OPTION

F
FRONT CUTOFF
OPTION

D - C
OPTION
STROBE
POWER SUPPLY

REAR
FLASHING

F
FRONT CUTOFF
OPTION

FRONT
FLASHING

T - D - C
TAKEDOWN
OR STROBE
OPTION

FRONT & REAR
ROTATING

A
ALLEY LIGHT
OPTION

REAR
FLASHING

FRONT & REAR
ROTATING

A
ALLEY LIGHT
OPTION

DRIVERS SIDE

FRONT

H
DRIVER/SPEAKER
OPTION

PASSENGER SIDE

290C22768

PARTS LIST

Item No.	Description	Part No.	JX	A	C	D	T	F	H
1	Dome, Clear	8552D054B	2						
2	Insert, Clear	JSDI*C							
	Insert, Red	JSDI*R							
	Insert, Amber	JSDI*A	16						
	Insert, Blue	JSDI*B	AR						
	Insert, Green	JSDI*G							
3	Gasket, Dome	8552B047B	2						
4	Insert, End, Clear	JSIEC*C							
	Insert, End, Red	JSIEC*R							
	Insert, End, Amber	JSIEC*A	2						
	Insert, End, Blue	JSIEC*B	AR						
	Insert, End, Green	JSIEC*G							
	Insert, End, Red, W/Cut-out	JSIECA*R	0						
	Insert, End, Amber, W/Cut-out	JSIECA*A	0	2					
	Insert, End, Blue, W/Cut-out	JSIECA*B	0	AR					
	Insert, End, Green, W/Cut-out	JSIECA*G	0						
5	Door, Speaker Housing	8552D059A	1						
5A	Screw, 8-32 x 3/8 Phl. Hd	7000A109-06	3						
6	Driver, 100 Watt	8556C053A	0						1
7	Washer, Steel	7072A137A	0						1
8	Washer, Velutex	8283A451	0						2
9	Housing, Speaker	8552D057A	1						
10	Washer	8283A453	0						1
11	Washer, Neoprene Rubber	8283A452	0						3
12	Cone, Long	8283B1001A	0						1
13	Washer, 1/4 Flat	7072A028	6						2
14	Lockwasher, 1/4 Split	7074A015	6						2
15	Screw, 1/4-20 x 5/8 Hex Hd.	7000A311-10	0						2
16	Grille, Speaker	8552C059A	1						
16A	Screw, 8-32 x 1/4 Phl. Hd	7000A109-04	3						
17	Gasket, Bulkhead	8552A055A	2						
18	Bumper, Lens, Blk.	8552A056A	4						
19	Filter	8552A062A	2						
20	Plug, Vent	8552A063A	2						
21	Screw, 1/4-20 x 3/4 Hex Hd.	7000A311-12	4						
22A	Mirror Assembly, Driver Side	8552C296A	0						1
22B	Mirror Assembly, Passenger Side	8552C297A	0						1
23	Screw, Type B, #10 x 3/8 Hex Hd.	7011A122-06	15	2	2	2			
24A	Mirror, Driver Side	8552C225A-01	1						
24B	Mirror, Passenger Side	8552C225A	1						
25	Strobe Power Supply (J22)	J22*	0						1
26	Connector, Strobe Power	139A141	0						1
26A	Wire, Terminated		0						1
26B	Cable Assembly, Strobe	146A664A	0						1
27	Screw, 10-32 x 3/8 Hex Hd.	7011A067-06	6	2	2	2			
28	Lockwasher, No. 10 Int. Tooth	7075A014	0						2
29	Bracket, Lamp	8552A145A	2						2
30	Reflector, Socket, Contact Assembly	8552A179A	2						2

Item No.	Description	Part No.	JX	A	C	D	T	F	H
31	Screw, 10-32 x 1/4 Hex Hd.	7011A067-04	2	6					
32	Washer, No. 12 Flat	7072A022	2	2					
33	Lockwasher, No. 10 Int. Tooth	7075A014	2	2					
34	Washer, No. 10 Flat	7072A010	6						
35	Bracket, Lamp, Driver Side	8552A227A	1						1
36	Bracket, Lamp, Passenger Side	8552A226A	1						1
37	Gear Cluster Mechanism, Driver Side	8552C147A	1						
38	Gear Cluster Mechanism, Passenger Side	8552C147A-01	1						
39	Rotating Light (replacements)								
39A	Lamp, T-4 Halogen (795)	8107A119A	4	2	1				2
39B	Gear & Collector Ring Assembly	8552A180A	AR						
39C	Reflector, Gear & Contact Assembly	8552A178A	AR						
39D	Contact Assembly	8552A031A	AR						
40	Lamp, T-4 Halogen (796)	8548A028A	4						
41	Flash Tube Assembly, Strobe	8107A127B	0						1
42	Gear Shaft & Motor Bracket Assembly	8552C162A	1						
42A	Motor	8422B111-92-01	1AR						
42B	Microswitch	8552A112A	1AR						
42C	Worm Gear Clutch Assembly	8542A039A	AR						
43	Nameplate, Model JX	8146A940	1						
44	Bushing, Nylon	231A144	2						
45	Grommet	8108A014	1						
46	Connector, Sealed Beam	8443A015-04	2						
47	Flasher	8554B010B	2						
48	Pad, Adhesive	8552A230A	2						
49	Screw, 8-32 x 1/2 Pan Hd.	7011A062-08	2						
50	Block, Terminal (14)	229A201	1						
51	Bushing, Snap	8552A064A	1						
52	Screw, Ground, No. 8 Thd. Form.	7011A122-08	1						
53	Clamp, Cable, 7/16	8542A028A	1						
54	Bushing, Snap	8552A041A	4						
55	Screw, 1/4-20 x 5/8, Slotted	7000A460-10	4						
56	Plate, Mounting		2						
57	Plate, Center	8552C042A-01	1						
58	Chain Drive, Driver Side - 26 inches	8552A170A	1						
59	Chain Drive, Passenger Side - 47 inches	8552A169A	1						
60	Gasket, Extrusion	8552A103A	4						
61	Screw, 8-32 x 3/8 Hex Hd.	7011A054-06	3						
62	Extrusion, Machined		1						
63	Tubing, Extrusion Gasket	8552A104A	1						
64	Cable, Power	175A572A	1						
65	Label, WARNING	161A463	1						
	NOT SHOWN								
	Brush Assembly	8552A011A							

DO NOT ORDER PARTS BY ITEM NUMBER.

Give model, voltage, description and part number.

When a part number is not supplied, the part is NOT available.

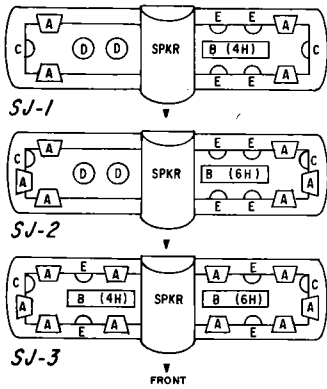
Refer to PARTS PRICE LIST (PPL 1001) for prices of parts

Federal Signal Corporation

2645 Federal Signal Drive

University Park, Illinois 60466

Printed in U.S.A.



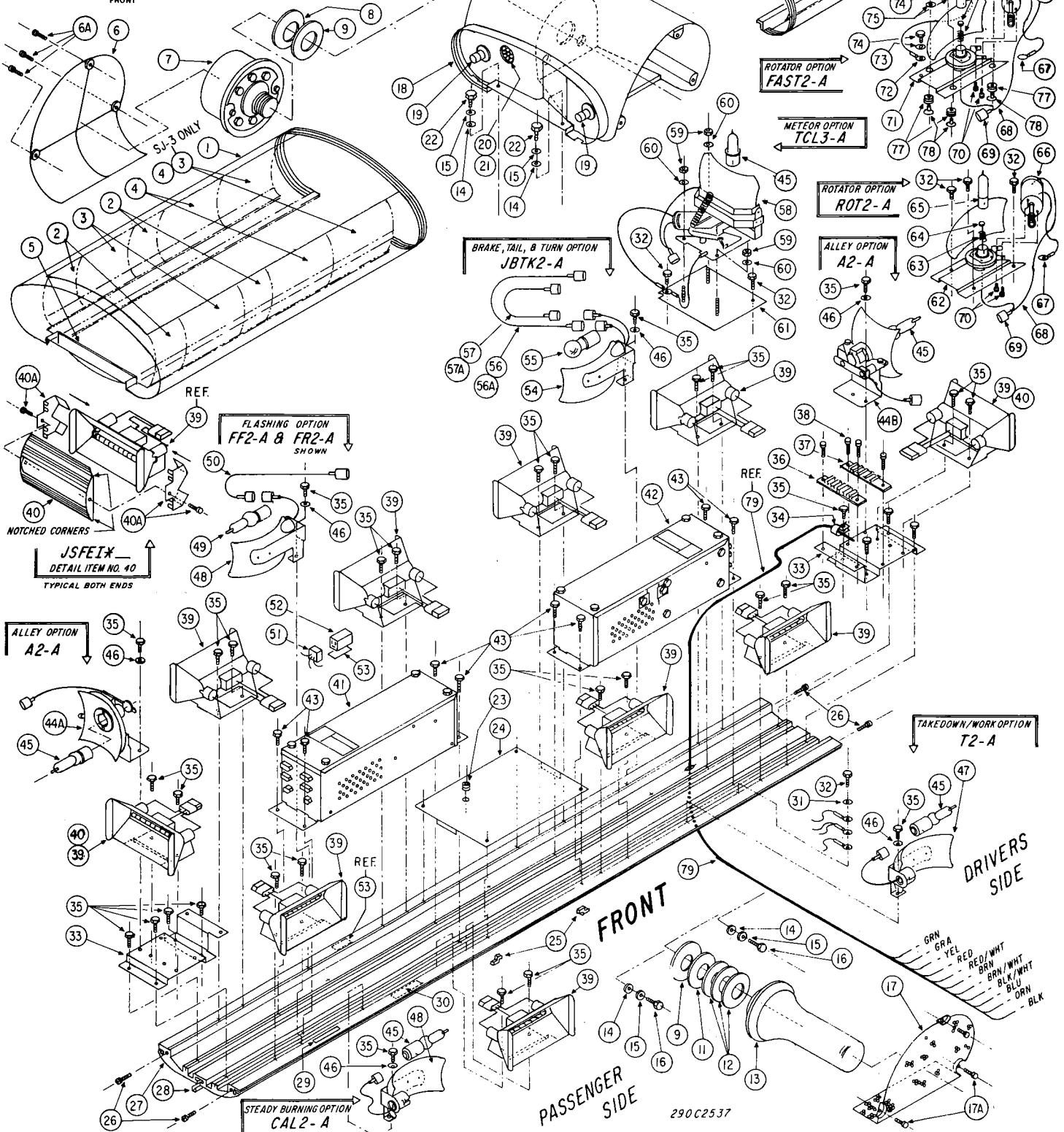
SYM	DESCRIPTION	MODEL
A	STROBE HEADS	
B	POWER SUPPLY	
OPTIONS:		
C	ALLEY LIGHTS	A2-A
D	ROTATING LIGHTS	95 FRM ROT2-A 175 FRM FAST2-A METEOR (T.C.L.) TCL3-A
E	ALTERNATE FLASHING	FRONT FF2-A REAR RF2-A
	TAKEDOWN/WORK	T2-A
	BRAKE, TURN, TAIL	JBTK2-A
	STEADY BURNING	CAL2-A

JETSTROBE T.M.

FEDERAL SIGNAL CORPORATION
Emergency Products

PARTS LIST FOR MODELS:

SJ-1, SJ-2, & SJ-3 (SHOWN BELOW)



JETSTROBE™
Models SJ-1, SJ-2, and SJ-3

Item No.	Description	Part No.	SJ-1	SJ-2	SJ-3
1	Dome, Clear	8552D054B	2	2	2
2	Insert, Clear	JSH*C			
	Insert, Red	JSH*R			
	Insert, Amber	JSH*A	8	8	8
	Insert, Blue	JSH*B	AR	AR	AR
	Insert, Green	JSH*G			
3	Insert, Clear (for strobes only)	JSH*C			
	Insert, Red	JSH*R			
	Insert, Amber	JSH*A	4	4	8
	Insert, Blue	JSH*B	AR	AR	AR
	Insert, Green	JSH*G			
4	Insert, Clear (for options)	JSDJ*C			
	Insert, Red	JSDJ*R			
	Insert, Amber	JSDJ*A	8	8	4
	Insert, Blue	JSDJ*B	AR	AR	AR
	Insert, Green	JSDJ*G			
5	Gasket, Dome	8552D047B	2	2	2
6	Door, Speaker Housing	8552D059A	1	1	1
7A	Screw, 8-32 x 3/8, Phl. Hd.	7000A109-06	3	3	3
8	Driver, 100W	8556C065A	1	1	1
9	Washer, Steel	7072A187A	1	1	1
10	Housing, Speaker	8283A451	2	2	2
11	Washer, Velutex	8283A453	1	1	1
12	Washer, Neoprene Rubber	8283A462	3	3	3
13	Cone, Long	8283B1001A	1	1	1
14	Washer, 1/4 Flat	7072A028	6	6	6
15	Lockwasher, 1/4 Split	7074A015	6	6	6
16	Screw, 1/4-20 x 5/8, Hex. Hd.	7000A311-10	2	2	2
17	Grille, Speaker	8552C053A	1	1	3
18	Gasket, Bulkhead	8552A055A	2	2	2
19	Bumper, Lens, Blk.	8552A056A	4	4	4
20	Filter	8552A062	2	2	2
21	Plug, Vent	8552A063A	2	2	2
22	Screw, 1/4-20 x 3/4, Hex. Hd.	7000A311-12	4	4	4
23	Plate, Center	8108A014	1	1	1
24	Gasket, Extrusion	8552C281A	1	1	1
25	Screw, Mach. 1/4-20 x 5/8, Sbk. Trus. Hd.	8552A103A	4	4	4
26	Extrusion, Machined	7000A460-10	4	4	4
27	Extrusion, Plastic	8552927A	1	1	1
28	Nameplate, Model SJ-1	81461101	1	1	1
29	Nameplate, Model SJ-2	81461101-02	0	0	0
30	Label, Warning	81461101-04	0	0	1
31	Lockwasher, Int. Tooth	161A469	1	1	1
32	Screw, Ground, #10 Tapite, Hex. Wash. Hd.	7075A014	1	1	1
33	Plate, Mounting	7011A122-06	2	2	2
34	Clamp, Cable	8552956A	2	2	2
35	Screw, 8-32 x 3/8 Thd. Frm., Hex. Wash. Hd.	8542A028-02	1	1	1
36	Terminal Block, TB1	7011A103-06	16	20	28
37	Terminal Block, TB2	229224A	1	1	1
38	Screw, 8-32 x 1/2 Phl. Pan Hd., Thd. Frm.	229225A	1	1	1
39	Reflector Assembly, Strobe	7011A062-08	4	4	4
40	Fresnel Insert, Clear (end facing strobes only)	8552335A	4	6	10
	Fresnel Insert, Red	JSEI*C			
	Fresnel Insert, Amber	JSEI*R			
	Fresnel Insert, Blue	JSEI*B			
	Fresnel Insert, Green	JSEI*G			
40A	Included with each Insert, 2, 4-40 Screws and 2 Insert Clips	JSEI*G	0	2	2
	Insert Clip	8552358A		AR	AR
	40 Screw	7011A053-04			

Item No.	Description	Part No.	SJ-1	SJ-2	SJ-3
41	Power Supply (4 head)	8552331A	1	0	1
42	Power Supply (6 head)	8552332B	0	1	1
43	Screw, 8-32 x 1/2 Thd. Frm., Hex. Wash. Hd.	7011A103-08	4	4	8
44A	A2-A Alley Light Option	8552366A	1	1	1
44B	Reflector Assembly, Right	8552367A	1	1	1
45	Lamp 50W (alley, TD, steady burn, & TCL)	8107A119A	AR	AR	AR
46	Lockwasher, Int. Tooth	7075A025	2	2	2
	T2-A Take-down Option				
47	Reflector Assembly (alum-ox-lux)	8552973A	2	2	2
48	Reflector Assembly (etched & anodized)	8552973-01	2	2	2
	FP2-A or FP2-A Flashing Option				
49	Lamp, 35W	8548A028A	2	2	2
50	Wire, Terminated	8443A015-02	1	1	1
51	Connector	8554B010B	1	1	1
52	Flasher Assembly	8537A639A	1	1	1
53	Pad, Adhesive				
54	Reflector Assembly (etched w/2 conductors)	8552374A	2	2	2
55	Lamp, 12V, #1157	8107A095	2	2	2
56	Wire, Terminated, Vb. 12 in. (shown)		1	1	1
56A	Wire, Terminated, Wht./Orn., 37 in. (2nd light)		1	1	1
57	Wire, Terminated, Wht./Yel., 34 in. (shown)		1	1	1
57A	Wire, Terminated, Wht./Yel., 22 in. (2nd light)		1	1	1
	TCL Option (replaces power supply on SJ-1 & SJ-2)				
58	TCL Mechanical Assembly	TCL*3	1	1	1
59	Nut, Hex. 10-32	7059A014	3	3	3
60	Washer, Flat #10	7072A020	3	3	3
61	Plate, Adapter	8552A284A	1	1	1
	ROT2-A (replaces power supply on SJ-1 & SJ-2)				
62	Rotating Light Mechanism, 95 FPM (8552308)	ROT2-A	2	2	0
63	Spring	8444A017-02	2	2	0
64	Wire Lead	8444A017-07	2	2	0
65	Lamp, 50W	8107141A	2	2	0
66	Motor & Worm Gear Assembly	8559A055A	2	2	0
67	Wire, Terminated		2	2	0
68	Wire, Cut 6 in.		2	2	0
69	Terminal (motor and light +)		2	2	0
70	Screws, 4-40 x 3/16, Hex. Hd., Ind. Int. Sems	7006A016-03	4	4	0
	FAST2-A (replaces power supply on SJ-1 & SJ-2)				
71	Rotating Light Mechanism, 175 FPM (8552508-01)	FAST2-A	2	2	0
72	Wire Terminated (chassis ground)		2	2	0
73	Lockwasher, #10, Ext. Tooth	7075A026	2	2	0
74	Screw, 8-32 x 5/8, Hex. Wash. Hd., Thd. Frm.	7011A135-10	4	4	0
75	Washer, Flat #8	7072A020	6	6	0
76	Motor & Worm Gear Assembly, Fast	8559A055A-01	2	2	0
77	Grommet, Rubber	8108A014	6	6	0
78	Spacer	8559A088A	6	6	0
79	Cable, Power (11 conductor)	175A572A	1	1	1
	Not Shown (refer to PPL0255 for reference)				
	Harness, Wiring, Power (2 conductor)	175720A	1	1	1
	Harness, Wiring, Controls (3 conductor)	175721A	1	1	1
	Harness, Wiring, Power & Control (4 conductors)	175722A	0	0	1
	Harness, Wiring, Options (5 conductors)	175723A	1	1	1
	Harness, Wiring, Strobes (for 6 head P.S.)	175724A	0	1	1
	Harness, Wiring, Strobes (for 4 head P.S.)	175725A	1	0	1

DO NOT ORDER PARTS BY ITEM NUMBER.
Give model, description and part number.
When a part number is not supplied, the part is NOT available.
Refer to PARTS PRICE LIST (Part No. 1001) for prices of parts.
Federal Signal Corporation
2645 Federal Signal Drive
University Park, IL 60466
Printed in U.S.A.

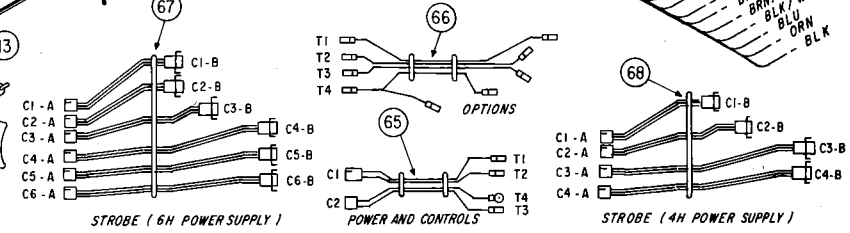
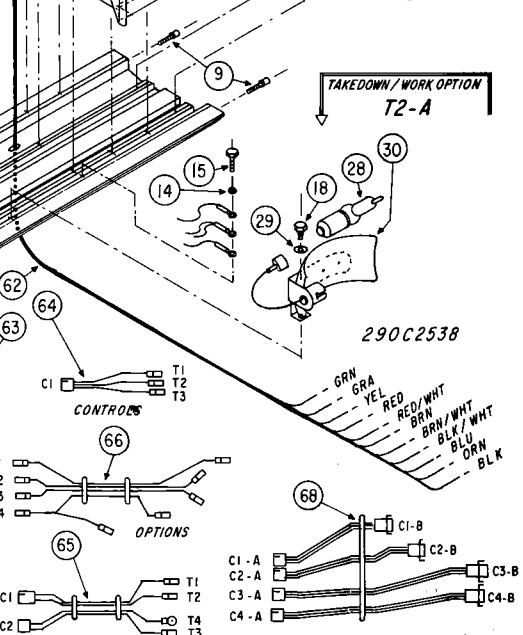
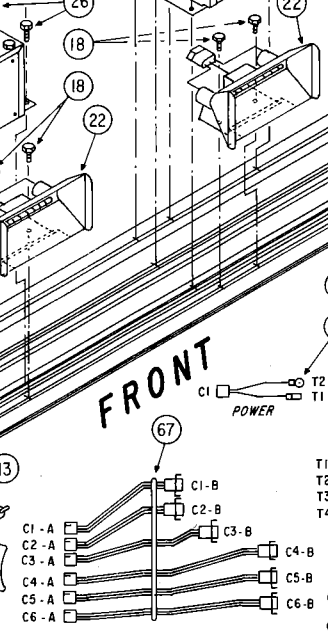
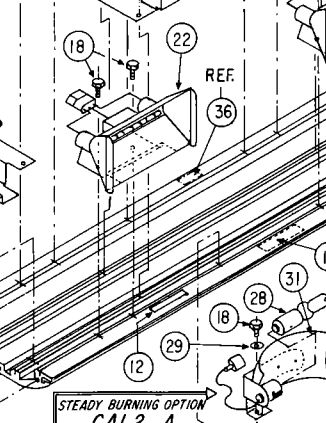
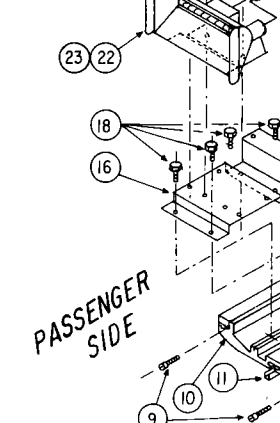
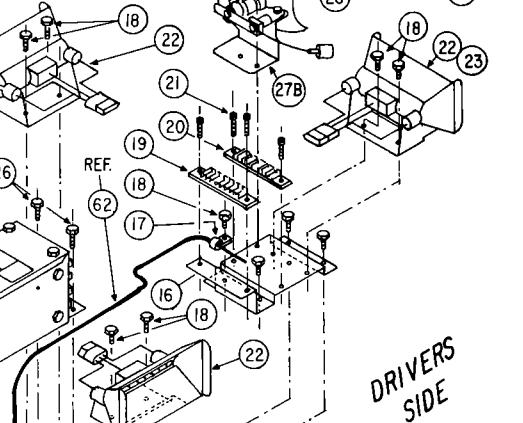
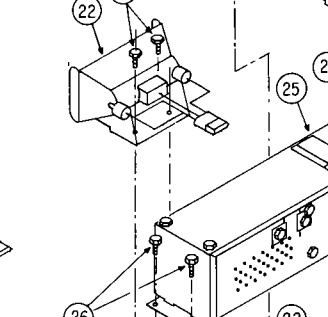
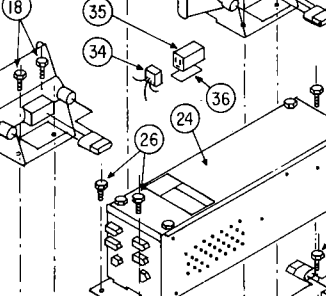
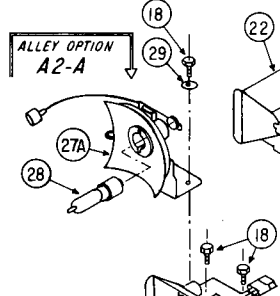
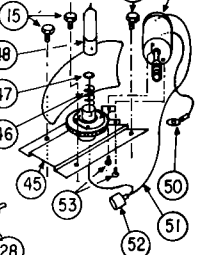
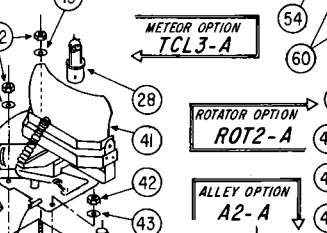
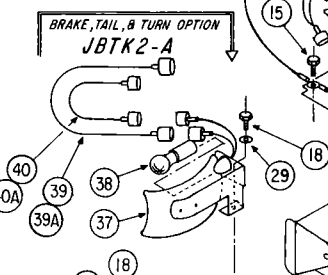
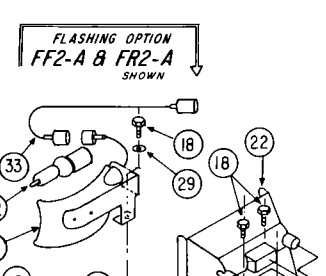
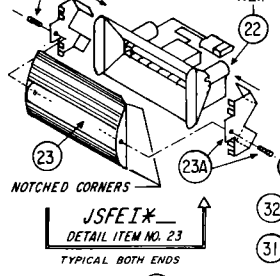
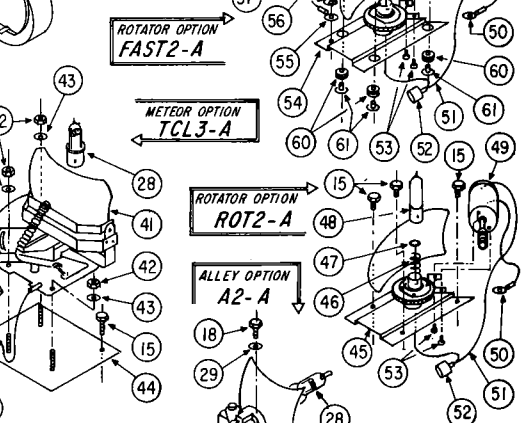
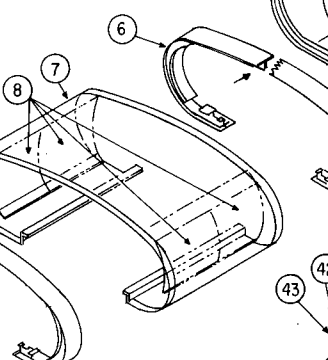
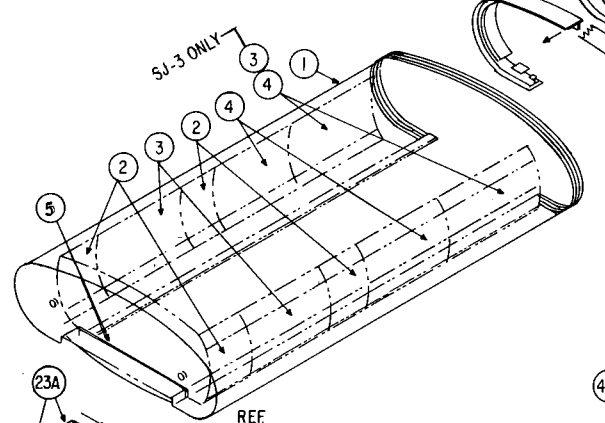
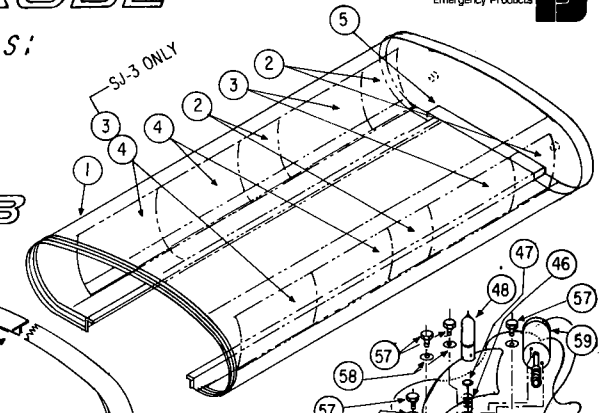
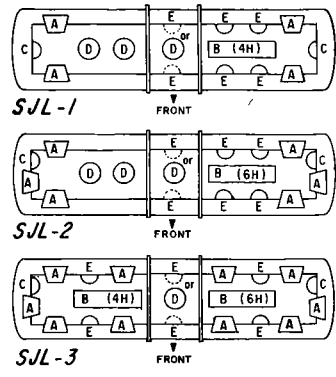
JETSTROBE™

PARTS LIST FOR MODELS:

SJL-1, SJL-2, & SJL-3

(SHOWN BELOW)

SYM	DESCRIPTION	MODEL
A	STROBE HEADS	
B	POWER SUPPLY	
OPTIONS		
C	ALLEY LIGHTS	A2-A
D	ROTATING LIGHTS	
	95 FRM	ROT2-A
	175 FRM	FAST2-A
	METEOR (T.C.L.)	TCL3-A
E	ALTERNATE FLASHING	
	FRONT	FF2-A
	REAR	RF2-A
	TAKEDOWN/WORK	T2-A
	BRAKE, TURN, TAIL	JBTK2-A
	STEADY BURNING	CAL2-A



JETSTROBE™

Models SJL-1, SJL-2, and SJL-3

PPL0256
PARTS LIST

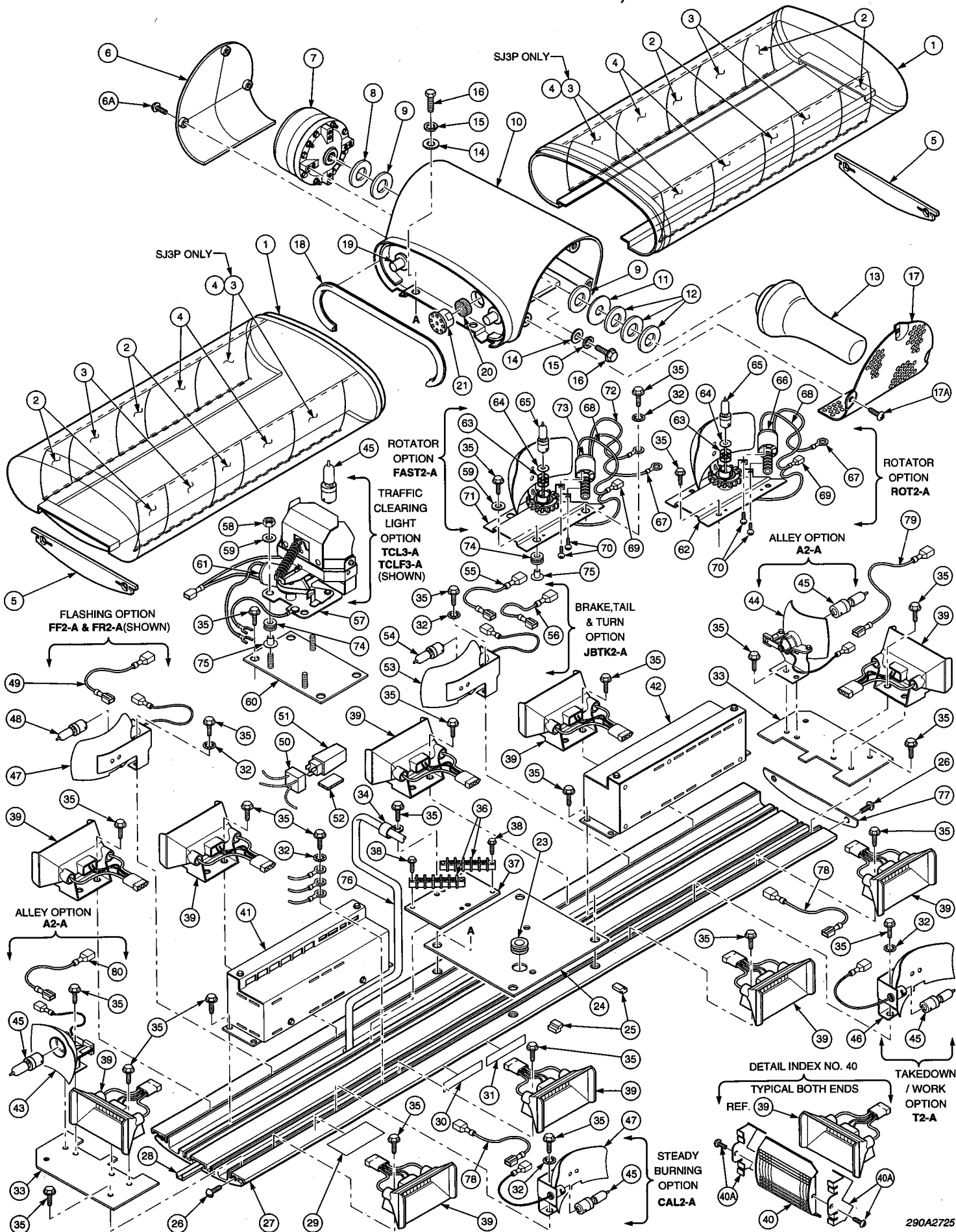
Item No.	Description	Part No.	SJL-1	SJL-2	SJL-3
1	Dome, Clear	852D054B	2	2	2
2	Insert, Clear	JSHI*C			
	Insert, Red	JSHI*R			
	Insert, Amber	JSHI*A	8	8	8
	Insert, Blue	JSHI*B	AR	AR	AR
	Insert, Green	JSHI*G			
3	Insert, Clear (for strobes only)	JSFIC			
	Insert, Red	JSFIR			
	Insert, Amber	JSFIA	4	4	4
	Insert, Blue	JSFIB	AR	AR	AR
	Insert, Green	JSFIG			
4	Insert, Clear	JSDIC			
	Insert, Red	JSDIR			
	Insert, Amber	JSDIA	8	8	4
	Insert, Blue	JSDIB	AR	AR	AR
	Insert, Green	JSDIG			
5	Gasket, Dome	852B047B	2	2	2
6A	Bulkhead & Gasket Assembly	852B348A	2	2	2
6B	Bulkhead (only)		AR	AR	AR
7	Gasket, Bulkhead (only)		AR	AR	AR
8	Dome, Center	852B14A	1	1	1
	Insert, Center, Clear (for center option only)	JSCIC			
	Insert, Center, Red	JSCIR			
	Insert, Center, Amber	JSCIA	4	4	4
	Insert, Center, Blue	JSCIB	AR	AR	AR
	Insert, Center, Green	JSCIG			
	Insert, Center, Black	JSCIBK			
9	Screw, Mach. 1/4-20 x 5/8, Slk. Trus. Hd.	7000A460-10	4	4	4
10	Extrusion, Machined	852B27A	1	1	1
11	Extrusion, Plastic	852A285A	1	1	1
12	Nameplate, Model SJL-1	81461101-01	1	0	0
	Nameplate, Model SJL-2	81461101-03	0	0	0
	Nameplate, Model SJL-3	81461101-06	0	0	0
13	Label, Warning	161A463	1	1	1
14	Lockwasher, Int. Tooth, #10	7075A014	1	1	1
15	Screw, Ground, #10 Taprite, Hex. Wash. Hd.	7011A122-06	1	1	1
16	Plate, Mounting	852B356A	2	2	2
17	Clamp, Cable	852A028-02	1	1	1
18	Screw, 8-32 x 3/8 Thd. Frm., Hex. Wash. Hd.	7011A103-06	16	20	28
19	Terminal Block, TB1	229224A	1	1	1
20	Terminal Block, TB2	229225A	1	1	1
21	Screw, 8-32 x 1/2, Phl. Pan Hd., Thd. Frm.	7011A062-08	4	4	4
22	Reflector Assembly, Strobe	852B333A	4	6	10
23	Fresnel Insert, Clear (end facing strobes only)	JSPFIC			
	Fresnel Insert, Red	JSPFIR			
	Fresnel Insert, Amber	JSPFIA	0	2	2
	Fresnel Insert, Blue	JSPFIB	AR	AR	AR
	Fresnel Insert, Green	JSPFIG			
23A	Included with each insert, 2, 4-40 Screws & 2 Insert Clips				
	Insert Clip	852B53A			
24	Power Supply (4 Head)	7011A053-04			
25	Power Supply (6 Head)	852B31A	1	0	1
26	Screw, 8-32 x 1/2, Thd. Frm., Hex. Wash. Hd.	7011A103-08	4	4	8
27A	Reflector Assembly, Right	852B66A	0	1	1
27B	Reflector Assembly, Left	852B67A	0	1	1

Item No.	Description	Part No.	SJL-1	SJL-2	SJL-3
28	Lamp, 50W (alley, TD, steady burn, TCL)	8107A119A			
29	Lockwasher, Int. Tooth, #8	7075A025	3	3	3
	T2-A Takedown Option				
30	Reflector Assembly (alum-a-lux)	8552373A	2	2	2
	CAL2-A Steady Burning Option				
31	Reflector Assembly (etched & anodized)	8552373-01	2	2	2
32	Lamp, 35W	8548A028A	2	2	2
33	Wire, Terminated	8443A015-02	2	2	2
34	Connector	8544B010B	1	1	1
35	Flasher Assembly	8537A633A	1	1	1
36	Pad, Adhesive				
	JBTX3-A Brake, Turn, Tail Option				
37	Reflector Assembly (etched, w/2 conductors)	8552374A	2	2	2
38	Lamp, 12V, #1157	8107A095	2	2	2
39	Wire, Terminated, Vio., 12 in. (shown)		1	1	1
39A	Wire, Terminated, Vio./Orn., 37 in. (2nd light)		1	1	1
40A	Wire, Terminated, Wht./Yel., 34 in. (shown)		1	1	1
	TCL Option (replaces power supply on SJL-1 & SJL-2)				
41	TCL Mechanism Assembly	TCL*3	1	1	1
42	Nut, Hex., 10-32	7059A014	3	3	3
43	Washer, Flat #10	7072A020	3	3	3
44	Plate, Adapter	8552A264A	1	1	1
	ROT2-A (replaces power supply on SJL-1 & SJL-2)				
45	Rotating Light Mechanism, 95 FPM (8552308)	ROT2-A	3	3	3
46	Spring	8444A017-02	3	3	3
47	Wire Lead	8444A017-07	3	3	3
48	Lamp, 50W	8107141A	3	3	3
49	Motor & Worm Gear Assembly	8559A055A	3	3	3
50	Wire, Terminated		3	3	3
51	Wire, Cut 6 in.		3	3	3
52	Terminal (motor and light +)		3	3	3
53	Screws, 4-40 x 3/16, Hex. Hd., Ind. Int. Sems	7006A016-03	6	6	6
	FAST2-A (replaces power supply on SJL-2 & SJL-2)				
54	Rotating Light Mechanism, 175 FPM (8552308-01)	FAST2-A	3	3	3
55	Wire, Terminated (chassis ground)		3	3	3
56	Lockwasher, #10, Ext. Tooth	7075A026	3	3	3
57	Screw, 8-32 x 5/8, Hex. Wash. Hd., Thd. Frm.	7011A135-10	9	9	9
58	Washer, Flat #8	7072A020	9	9	9
59	Motor & Worm Gear Assembly, Fast	8559A055A-01	3	3	3
60	Grommet, Rubber	8108A014	9	9	9
61	Spacer	8559A088A	9	9	9
62	Cable, Power (11 conductor)	175A572A	1	1	1
63	Harness, Wiring, Power (2 conductor)	175720A	1	1	1
64	Harness, Wiring, Controls (3 conductor)	175721A	1	1	1
65	Harness, Wiring, Power & Controls (4 conductor)	175723A	0	0	0
66	Harness, Wiring, Options (5 conductor)	175723A	1	1	1
67	Harness, Wiring, Strobes (for 6 head P.S.)	175724A	0	1	1
68	Harness, Wiring, Strobes (for 4 head P.S.)	175725A	1	0	1

DO NOT ORDER PARTS BY ITEM NUMBER.
Give model, description and part number.

When a part number is not supplied, the part is NOT available.
Refer to PARTS PRICE LIST (Part No. 1001) for prices of parts.

Federal Signal Corporation
2645 Federal Signal Drive
University Park, IL 60466



JETSTROBE™ PLUS

Models SJ1P, SJ2P, and SJ3P

PRINTED 1995

PPI40287
PARTS LIST

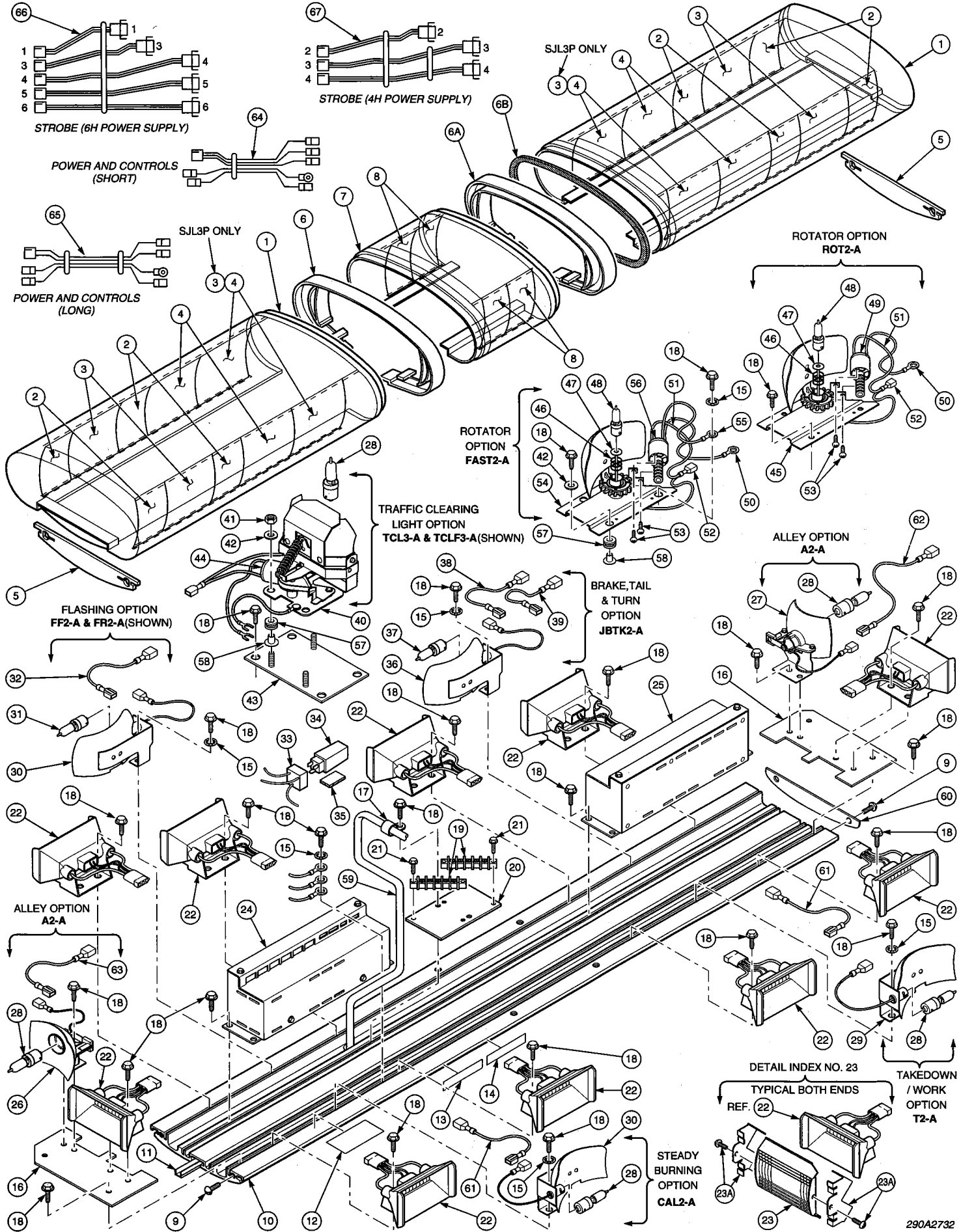
Item No.	Description	Part No.	SJ1P	SJ2P	SJ3P
1	Dome, Clear	8552D054B	2	2	2
2	Insert, Clear	JSHI-C			
	Insert, Red	JSHI-R			
	Insert, Amber	JSHI-A			
	Insert, Blue	JSHI-B			
	Insert, Green	JSHI-G			
3	Insert, Clear (for strobes only)	JSP1-C			
	Insert, Red	JSP1-R			
	Insert, Amber	JSP1-A			
	Insert, Blue	JSP1-B			
	Insert, Green	JSP1-G			
4	Insert, Clear (for options)	JSD1-C			
	Insert, Red	JSD1-R			
	Insert, Amber	JSD1-A			
	Insert, Blue	JSD1-B			
	Insert, Green	JSD1-G			
5	Gasket, Dome	8552B047B	2	2	2
6	Door, Speaker Housing	8552D059A	1	1	1
6A	Screw, 8-32 x 3/8, Phl. Hd.	7000A109-06	3	3	3
7	Driver, 100W	8556C063A	1	1	1
8	Washer, Steel	7072A137A	1	1	1
9	Washer, Ventrtek	8283A451	2	2	2
10	Housing, Speaker	8552D057A	1	1	1
11	Washer	8283A452	3	3	3
12	Washer, Neoprene Rubber	8283B1001A	1	1	1
13	Cone, Long	7072A028	2	2	2
14	Washer, 1/4 Flat	7074A015	2	2	2
15	Lockwasher, 1/4 Split	7000A311-10	2	2	2
16	Screw, 1/4-20 x 5/8, Hex. Hd.	8552C065A	1	1	1
17	Grille, Speaker	7000A109-06	3	3	3
17A	Screw, 8-32 x 1/4, Hex. Hd.	8552A065A	2	2	2
18	Gasket, Bulthead	8552A062	4	4	4
19	Bumper, Lens, Blk.	8552A062	2	2	2
20	Filter	8552A062	2	2	2
21	Plug, Vent	8552A062	2	2	2
22	Screw, 1/4-20 x 3/4, Hex. Hd.	7000A311-12	4	4	4
23	Grommet	8108A014	1	1	1
24	Plate, Center	8552C043-01	1	1	1
25	Gasket, Extrusion	8552A103A	4	4	4
26	Screw, Mach., 1/4-20 x 5/8, Sl. Truss. Hd.	7000A460-10	1	1	1
27	Extrusion, Machined	8552327A	1	1	1
28	Extrusion, Plastic	8552A285A	1	1	1
29	Nameplate, Model SJ1P		1	0	0
29	Nameplate, Model SJ2P		0	1	1
29	Nameplate, Model SJ3P		0	0	1
30	Label, Warning		1	1	1
31	Label, Warning	7075A0014	1	1	1
32	Lockwasher, #10 Int. Tooth	8552442	2	2	2
33	End Plate, Reflector	8542A028-02	1	1	1
34	Clamp, Cable	7011A122-06	19	23	35
35	Screw, #10 x 3/8 Thd. Frm., Hex. Wash. Hd.	229224A	2	2	2
36	Terminal Block		2	2	2
37	Plate, Terminal Block	8552441	1	1	1
38	Screw, 8-32 x 1/2 Phl. Pan Hd., Thd. Frm.	7011A103-09	4	4	4
39	Reflector Assembly, Strobe	8552A43B-01	4	6	10
40	Fresnel Insert, Clear (end facing strobes only)	JSFEL-C			
	Fresnel Insert, Red	JSFEL-R			
	Fresnel Insert, Amber	JSFEL-A			
	Fresnel Insert, Blue	JSFEL-B			
	Fresnel Insert, Green	JSFEL-G			
40A	Included with each insert: 2, 4-40 Screws and 2 Insert Clips		0	2	2
	Insert Clips	8552353A	0	4	4
	4-40 Screws	7011A053-04	0	4	4

Item No.	Description	Part No.	SJ1P	SJ2P	SJ3P
41	Power Supply (4 head)	8552427B-01	1	0	1
42	Power Supply (6 head)	8552427B-02	0	1	1
	A2-A Alley Light Option				
43	Reflector Assembly, Right	8552366A	1	1	1
44	Reflector Assembly, Left	8552367A	1	1	1
45	Lamp 50W (alley, TD, steady burn, & TCL)	8107A119A	AR	AR	AR
	T2-A Takedown Option/CAL2-A Steady Burning Option				
46	Reflector Assembly (alum-a-lux)	8552373A	2	2	2
	FF2-A or RF2-A Flashing Option				
47	Reflector Assembly (etched & anodized)	8552373-01	2	2	2
48	Lamp, 35W	8548A028A	2	2	2
49	Wire, Terminated, Wht./Red, 14 in. (shown)		1	1	1
50	Wire, Terminated, Wht./Blk., 10 in. (if needed)		1	1	1
50	Connector	8443A015-02	1	1	1
51	Flasher Assembly	8554B010B	1	1	1
52	Pad, Adhesive	8537A533A	1	1	1
	JBT2-A Brake, Turn, Tail Option				
53	Reflector Assembly (etched w/2 conductors)	8552374A	2	2	2
54	Lamp, 12V, #1157	8107A095	2	2	2
55	Wire, Terminated, Wht./Yel. (shown)		1	1	1
55A	Wire, Terminated, White (2nd light)		1	1	1
56	Wire, Terminated, Wht./Blu. (shown)		1	1	1
56A	Wire, Terminated, White (2nd light)		1	1	1
	TCL Option (replaces power supply on SJ1P & SJ2P)				
57	TCL Mechanical Assembly	8431069	1	1	1
58	Nut, Hex. 10-32	8431C001-01	1	1	1
59	Washer, Flat #10	7059A014	3	3	3
60	Plate, Adapter	7072A119	7	7	7
61	Motor & Worm Gear Assembly	8552A264A	1	1	1
	Motor & Worm Gear Assembly, Fast (shown)	8422B399-01	1	1	1
	Motor & Worm Gear Assembly, 95 FPM	8572233	1	1	1
	ROT2-A (replaces power supply on SJ1P & SJ2P)				
62	Rotating Light Mechanism, 95 FPM	8552308	1	1	1
63	Spring	8444A017-02	2	2	2
64	Wire Lead	8444A017-07	2	2	2
65	Lamp, 50W	8107141A	2	2	2
66	Motor & Worm Gear Assembly	8559A065A	1	1	1
67	Wire, Terminated		2	2	2
68	Wire, Cut 6 in.		2	2	2
69	Terminal (motor and light +)		2	2	2
70	Screws, 4-40 x 3/16, Hex. Hd., Ind. Int. Sens	7006A016-04	2	2	2
	FAST2-A (replaces power supply on SJ1P & SJ2P)				
71	Rotating Light Mechanism, 175 FPM	8552308-01	1	1	1
72	Wire, Terminated (chassis ground)		1	1	1
73	Motor & Worm Gear Assembly, Fast	8559A065A-01	1	1	1
74	Grommet, Rubber	8108A014	6	6	6
75	Spacer	8559A088A	6	6	6
76	Cable, Power (11 conductor)	175A572A	1	1	1
77	Nameplate, Dome	81461094A	2	2	2
78	Wire, Terminated, Grey, 16 in. (T2-A/CAL2-A)		1	1	1
79	Wire, Terminated, Wht./Orn.		1	1	1
80	Wire, Terminated, Wht./Grn.		1	1	1
	Not Shown (refer to PPL0288 for reference)				
	Harness, Wiring, Power & Control (Short)	175802	1	1	1
	Harness, Wiring, Power & Control (Long)	175803	0	0	0
	Harness, Wiring, Strobes (for 6 head P.S.)	175799	0	1	1
	Harness, Wiring, Strobes (for 4 head P.S.)	175798	1	0	1

DO NOT ORDER PARTS BY ITEM NUMBER.
Give model, description and part number.
When a part number is not supplied, the part is NOT available.
Refer to PARTS PRICE LIST (Part No. 1001) for prices of parts.

Federal Signal Corporation
2645 Federal Signal Drive
University Park, IL 60466

Printed in U.S.A.



JETSTROBE™ PLUS

Models SJL1P, SJL2P, and SJL3P

Printed 1995

PPL0288
PARTS LIST

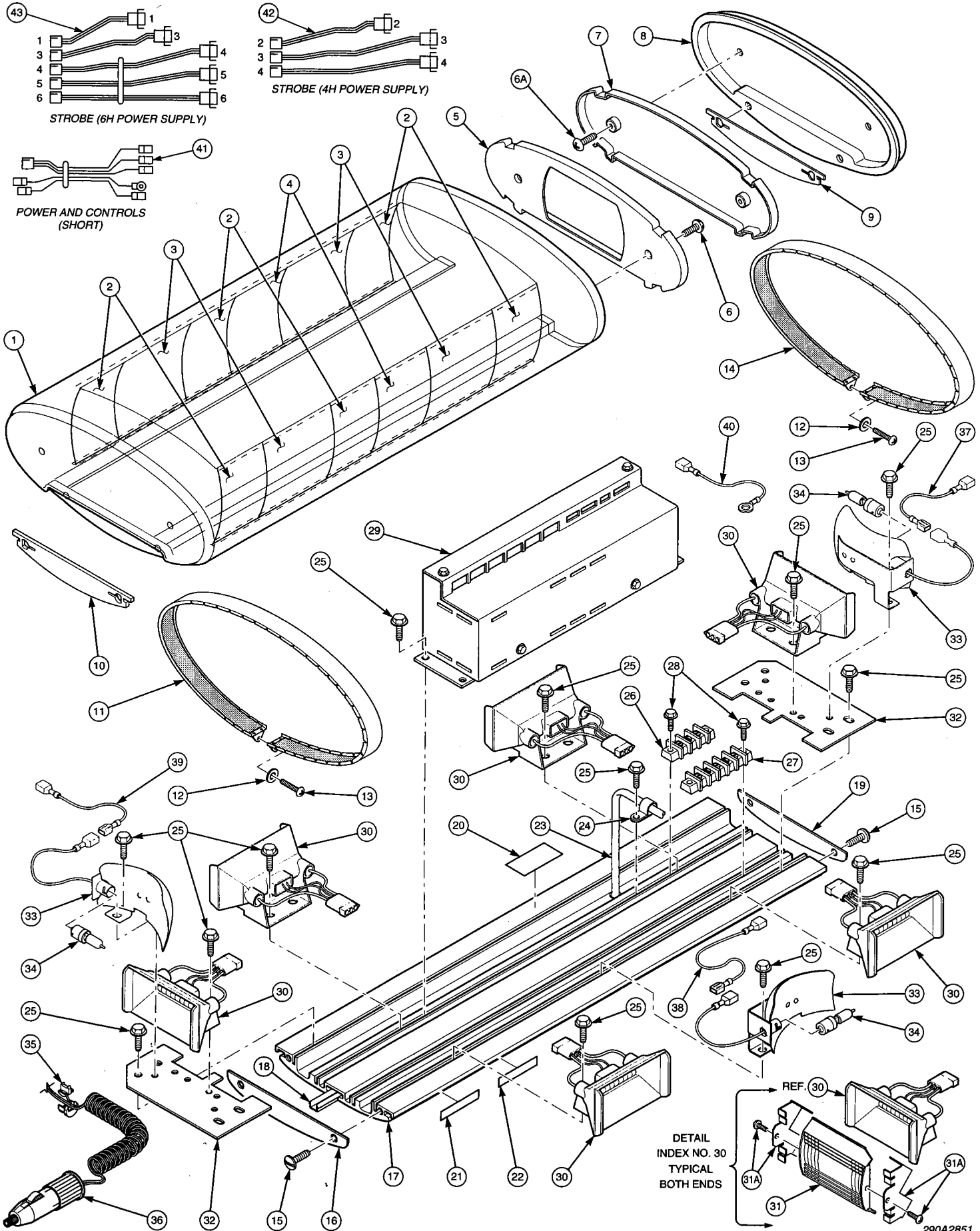
Item No.	Description	Part No.	SJL1P	SJL2P	SJL3P
1	Dome, Clear	8552D054B	2	2	2
2	Insert, Clear	JSHI-C			
	Insert, Red	JSHI-R			
	Insert, Amber	JSHI-A	8	8	8
	Insert, Blue	JSHI-B	AR	AR	AR
	Insert, Green	JSHI-G			
3	Insert, Clear (for strobes only)	JSPFI-C			
	Insert, Red	JSPFI-R			
	Insert, Amber	JSPFI-A	4	4	8
	Insert, Blue	JSPFI-B	AR	AR	AR
	Insert, Green	JSPFI-G			
4	Insert, Clear	JSDI*C			
	Insert, Red	JSDI*R	8	8	4
	Insert, Amber	JSDI*A	AR	AR	AR
	Insert, Blue	JSDI*B			
	Insert, Green	JSDI*G			
5	Gasket, Dome	8552B047B	2	2	2
6	Bulkhead & Gasket Assembly	8552349A	2	2	2
6A	Bulkhead (only)		AR	AR	AR
6B	Gasket, Bulkhead (only)		AR	AR	AR
7	Dome, Center	8552314A	1	1	1
8	Insert, Center, Clear (for center option only)	JSGI-C			
	Insert, Center, Red	JSGI-R			
	Insert, Center, Amber	JSGI-A	4	4	4
	Insert, Center, Blue	JSGI-B	AR	AR	AR
	Insert, Center, Green	JSGI-G			
	Insert, Center, Black	JSGI-BK			
9	Screw, Mach., 1/4-20 x 5/8, Slit, Truss. Hd.	7000A460-10	4	4	4
10	Extrusion, Machined	8552327A	1	1	1
11	Extrusion, Plastic	8552A285A	1	1	1
12	Nameplate, Model SJL1P		0	0	0
	Nameplate, Model SJL2P		0	0	0
	Nameplate, Model SJL3P		0	0	0
13	Label, Warning		1	1	1
14	Label, Warning	7075A014	1	1	1
15	Lockwasher, #10 Int. Tooth	8552442	2	2	2
16	Clamp, Cable	8542A028-02	1	1	1
17	End Plate, Reflector	7011A122-06	19	23	35
18	Screw, 8-32 x 3/8 Thd. Frm., Hex. Wash. Hd.	292924A	2	2	2
19	Terminal Block	8552441	1	1	1
20	Plate, Terminal Block	7011A103-09	4	4	4
21	Screw, 8-32 x 1/2, Phl. Pan Hd., Thd. Frm.	855243B-01	4	6	10
22	Reflector Assembly, Strobe	JSPFI-C			
23	Fresnel Insert, Clear (end facing strobes only)	JSPFI-R	0	2	2
	Fresnel Insert, Red	JSPFI-A	AR	AR	AR
	Fresnel Insert, Amber	JSPFI-B			
	Fresnel Insert, Blue	JSPFI-G			
	Fresnel Insert, Green				
23A	Included with each insert: 2, 4-40 Screws & 2 Insert Clips		0	4	4
	Insert Clips	7011A053-04	0	4	4
24	Power Supply (4 Head)	8552427B-01	1	0	1
25	Power Supply (6 Head)	8552427B-02	0	1	1
	A2-A Alley Light Option				
26	Reflector Assembly, Right	8552366A	1	1	1
27	Reflector Assembly, Left	8552367A	1	1	1
28	Lamp, 50W (alley, TD, steady burn, TCL)	8107A119A	AR	AR	AR

Item No.	Description	Part No.	SJL1P	SJL2P	SJL3P
T2-A Take-down Option/CAL2-A Steady Burning Option					
29	Reflector Assembly (alum.-a-hub)	8552373A	2	2	2
FP2-A or RP2-A Flashing Option					
30	Reflector Assembly (etched & anodized)	8553873-01	2	2	2
31	Lamp, 35W	8548A028A	2	2	2
32	Wire, Terminated, Wht./Red, 14 in. (shown)		1	1	1
	Wire, Terminated, Wht./Blk., 10 in. (if needed)		1	1	1
33	Connector	8443A015-02	1	1	1
34	Flasher Assembly	8554B010B	1	1	1
35	Pad, Adhesive	8537A533A	1	1	1
JBT2-A Brake, Turn, Tail Option					
36	Reflector Assembly (etched, w/2 conductors)	8552374A	2	2	2
37	Lamp, 12V, #1157	8107A095	2	2	2
38	Wire, Terminated, Wht./Yel. (shown)		1	1	1
38A	Wire, Terminated, White (2nd light)		1	1	1
39	Wire, Terminated, Wht./Blu. (shown)		1	1	1
39A	Wire, Terminated, White (2nd light)		1	1	1
TCL Option (replaces power supply on SJL1P & SJL2P)					
40	TCL Mechanical Assembly	8431059	1	1	1
	TCL Mechanical Assembly (Shown)	8431C001-01	1	1	1
41	Nut, Hex. 10-32	7059A014	3	3	3
42	Washer, Flat #10	7072A119	7	7	7
43	Plate, Adapter	8552A264A	1	1	1
44	Motor & Worm Gear Assembly	84228399-01	1	1	1
	Motor & Worm Gear Assembly, Fast (shown)	8572233	1	1	1
ROT2-A (replaces power supply on SJL1P & SJL2P)					
45	Rotating Light Mechanism, 95 FPM	8552308	1	1	1
46	Spring	8444A017-02	2	2	2
47	Wire Lead	8444A017-07	2	2	2
48	Lamp, 50W	8107A14A	2	2	2
49	Motor & Worm Gear Assembly	8559A055A	1	1	1
50	Wire, Terminated		2	2	2
51	Wire, Cut 6 in.		2	2	2
52	Terminal (motor and light +)		2	2	2
53	Screws, 4-40 x 3/16, Hex. Hd., Ind. Int. Sems	7006A016-04	2	2	2
	FAST2-A (replaces power supply on SJL2P & SJL2P)	8552308-01	1	1	1
54	Rotating Light Mechanism, 175 FPM		1	1	1
55	Wire, Terminated (chassis ground)		1	1	1
56	Motor & Worm Gear Assembly, Fast	8559A055A-01	1	1	1
57	Grommet, Rubber	8108A014	6	6	6
58	Spacer	8559A088A	6	6	6
59	Cable, Power (11 conductor)	176A572A	1	1	1
60	Nameplate, Dome	81461094A	2	2	2
61	Wire, Terminated, Gray 16 in. (T2-A/CAL2-A)		1	1	1
62	Wire, Terminated, Wht./Grn.		1	1	1
63	Wire, Terminated, Wht./Grn.		1	1	1
64	Harness, Wiring, Power & Controls (Short)	175802	1	1	1
65	Harness, Wiring, Power & Controls (Long)	175803	0	0	0
66	Harness, Wiring, Strobes (for 6 head P.S.)	175799	0	0	0
67	Harness, Wiring, Strobes (for 4 head P.S.)	175798	1	0	1

DO NOT ORDER PARTS BY ITEM NUMBER.
Give model, description and part number.
When a part number is not supplied, the part is NOT available.
Refer to PARTS PRICE LIST (Part No. 1001) for prices of parts.

Federal Signal Corporation
2645 Federal Signal Drive
University Park, IL 60466

Printed in U.S.A.



Mini-JetStrobe™ Lightbar

Models SJL2110P, SJL2110PM, SJL2111P,
SJL2112P, SJL2120P & SJL2120PM

PPL0290
PARTS LIST

Printed 1996

Item No.	Description	Part No.	SJL 2110P	SJL 2110PM	SJL 2111P	SJL 2112P	SJL 2120P	SJL 2120PM
1	Dome, Clear	8552D054B	1	1	1	1	1	1
2	Insert, Clear	JSHI-C						
	Insert, Red	JSHI-R						
	Insert, Amber	JSHI-A	6	6	6	6	6	6
	Insert, Blue	JSHI-B	AR	AR	AR	AR	AR	AR
	Insert, Green	JSHI-G						
3	Insert, Clear	JSFI-C						
	Insert, Red	JSFI-R						
	Insert, Amber	JSFI-A	4	4	4	4	4	4
	Insert, Blue	JSFI-B	AR	AR	AR	AR	AR	AR
	Insert, Green	JSFI-G						
4	Insert, Center, Clear	JSCI-C						
	Insert, Center, Red	JSCI-R						
	Insert, Center, Amber	JSCI-A	2	2	2	2	2	2
	Insert, Center, Blue	JSCI-B	AR	AR	AR	AR	AR	AR
	Insert, Center, Green	JSCI-G						
5	Insert, Center, Black	JSCI-BK						
	Insert, Dome End, Red (With Hole)	JSIECA*R			2	2	2	2
	Insert, Dome End, Amber (With Hole)	JSIECA*A	0	0	AR	AR	AR	AR
	Insert, Dome End, Blue (With Hole)	JSIECA*B						
6	Screw, #4-24 x 5/16" Type B, Phillips Pan Hd.	7011A014-05	2	2	2	2	2	2
6A	Screw, Mach., #8-32 x 1/2" Slotted Rd. Hd.	7000A063-08	2	2	2	2	2	
7	Insert, Dome End, Red	JSIEC*R						
	Insert, Dome End, Amber	JSIEC*A	2	2	0	0	0	0
	Insert, Dome End, Blue	JSIEC*B	AR	AR				
	Insert, Dome End, Green	JSIEC*G						
8	Endcap, Dome	8552286A	1	1	1	1	1	1
9	Gasket, Endcap	8552B047B-01	1	1	1	1	1	1
10	Gasket, Dome	8552B047B	1	1	1	1	1	1
11	Band, Retaining 17-1/2" Long	8552B237A-01	1	1	1	1	1	1
12	Washer, Flat Fiber	7072A171A	2	2	2	2	2	2
13	Screw, Machine #6-32 x 5/8" Phillips Pan Hd.	7000A427-10	2	2	2	2	2	2
14	Band, Retaining 18-1/2" Long	8552B237A	1	1	1	1	1	1
15	Screw, Machine 1/4-20 x 5/8" Slotted Truss Hd.	7000A460-10	4	4	4	4	4	4
16	Nameplate, Dome	81461094A	1	1	1	1	1	1
17	Extrusion, Machined	8552470A	1	1	1	1	1	1
18	Extrusion, Plastic	8552A285A-01	1	1	1	1	1	1
19	Nameplate, Cap	81461375A	1	1	1	1	1	1
20	Nameplate, Model SJL2110P	81461237A-12	1	0	0	0	0	0
	Nameplate, Model SJL2110PM	81461237A-13	0	1	0	0	0	0
	Nameplate, Model SJL2111P	81461237A-14	0	0	1	0	0	0
	Nameplate, Model SJL2112P	81461237A-17	0	0	0	1	0	0
	Nameplate, Model SJL2120P	81461237A-15	0	0	0	0	1	0
	Nameplate, Model SJL2120PM	81461237A-16	0	0	0	0	0	1
21	Label, Warning	161A479A	1	1	1	1	1	1
22	Label, Warning	161A463A	1	1	1	1	1	1
23	Cable, Power (9 Conductor)	175663A	1	0	1	1	1	0
24	Clamp, Cable	8542A028A-03	1	0	1	1	1	0
25	Screw, #10 x 3/8" Type B, Thd. Frm. Hex Wash. Hd.	7011A122-06	20	21	23	21	24	25
26	Terminal Block	229A190A	1	0	1	1	1	0
27	Terminal Block	229225A	1	0	1	1	1	0
28	Screw, #8-32 x 9/16" Thd. Frm. Hex Wash. Hd.	7011A103-09	4	0	4	4	4	0
29	Power Supply, 4 Head	SPS4J	1	1	1	1	0	0
	Power Supply, 6 Head	8552427B-02	0	0	0	0	1	1
30	Reflector Assembly, Strobe	8552443B-01	4	4	4	4	6	6
31	Fresnel Insert, Clear	JSFEL-C						
	Fresnel Insert, Red	JSFEL-R						
	Fresnel Insert, Amber	JSFEL-A	0	0	0	2	2	2
	Fresnel Insert, Blue	JSFEL-B				AR	AR	AR
	Fresnel Insert, Green	JSFEL-G						
31A	Included with each insert: 2, 4-40 Screws & 2 Insert Clips							
	Insert Clips	8552353A	0	0	0	4	4	4
	4-40 Screws	7011A053-04	0	0	0	4	4	4
32	End Plate, Reflector	8552442B	2	2	2	2	2	2
33	Reflector Assembly	8552373A	0	0	3	0	0	0
34	Lamp, 50W	8107A119A	0	0	3	0	0	0
35	Bushing, Strain Relief	231182A	0	1	0	0	0	1
36	Plug & Coiled Cord Assembly	175838A	0	1	0	0	0	1
37	Wire, Terminated Orn./Wht.		0	0	1	0	0	0
38	Wire, Terminated Gray		0	0	1	0	0	0
39	Wire, Terminated Grn./Wht.		0	0	1	0	0	0
40	Wire, Terminated (Power Supply Ground)		0	1	0	0	0	1
41	Harness, Wiring Power & Controls	175802A	1	0	1	1	1	0
42	Harness, Wiring For 4 Head Strobe	175839A	1	1	1	1	0	0
43	Harness, Wiring For 6 Head Strobe	175840A	0	0	0	0	1	1

DO NOT ORDER PARTS BY ITEM NUMBER.
Give model, description and part number.
When a part number is not supplied, the part is NOT available.
Refer to PARTS PRICE LIST (Part No. 1001) for prices of parts.

Federal Signal Corporation
2645 Federal Signal Drive
University Park, IL 60466

Printed in U.S.A.