

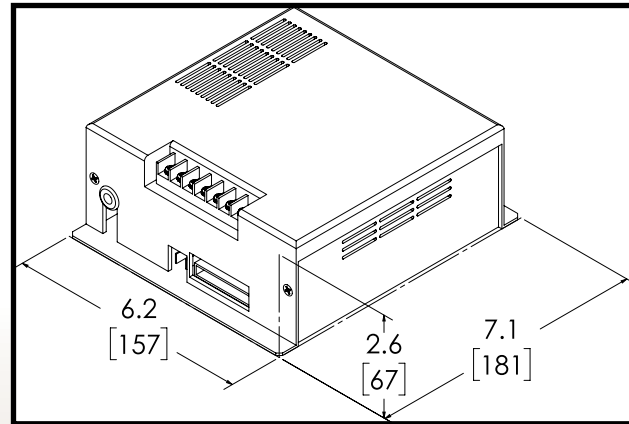
# sirens/speaker

## H2Covert™

### Remote Siren System with Easy to Operate Hand-Held Controller



\*User Selectable Features



### Design Features

- Siren Tones: Wail, Yelp, Hi-Lo, Hyper-Lo, Hyper-Yelp, Whoop, Manual Wail, Air Horn
- PA with Built-in Noise Cancelling Mic
- Radio Rebroadcast, Instant On and Stand-by
- Siren Scroll, Siren Park Kill with Level 3 Drop-Out Option\*
- Horn Ring Transfer\*
- Vehicle Light Control Buttons; 3 Progressive (Semi-Progressive also available), 4 Auxiliary
- All Buttons are Backlit with On/Off Color Change
- Push Button Programmable Siren Tones\*
- (2) Programmable Airhorn Pitch Tones\*
- 25' Extension Cable
- Banshee Siren Amp Compatible for additional features

### Specifications

- Control Head: 5.9" x 2.4" x 1.2" (150 x 60 x 31 mm)
- Amplifier: 7.1" x 6.2" x 2.7" (180 x 158 x 67 mm)
- Operating Voltage: 10-16 VDC
- Light Control Current Load
  - Progressive Switches: Switch 1, 2 & 3: 20 Amps each
  - 4 Auxiliary Switches: Each have 10 Amp Capacity
- Total Output Capacity: 200 Watts (can drive two 100 watt speakers)
- Meets SAE J1849, California Title 13 guidelines with 100 watt Code 3 speakers. Meets ECE 10.
- 5-Year Warranty

## MasterCom™B

### Electronic Sirens Designed to Meet the Needs of Emergency Vehicles

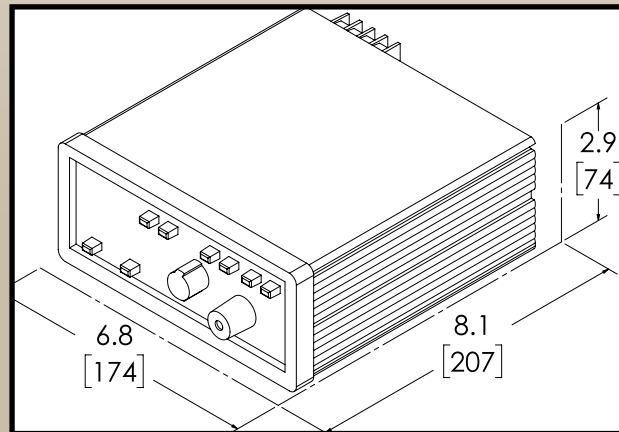


### Design Features

- Instant On
- Adjustable Backlighting
- Insertable Legends for Light Controls
- Selectable Hit-N-Go or Horn Ring Scroll Mode
- Mounting Bail
- Automatic Short Circuit Protection
- Banshee Siren Amp Compatible for additional features

### Options

- InterClear and LightAlert
- Plug-in Microphone
- Quick Disconnect



### Specifications

- 6.9" L x 6.87" W x 2.9" H (176.03mm x 174.48mm x 73.87mm)
- Input Voltage - 10 to 16 VDC
- 8 Amps @ 13.6V with 11-ohm load (100 W Speaker)
- Optional 200 Watt operation: 14 Amps @ 13.6V with 5.5-ohm load (2- 100 W Spkr)
- Meets SAE J1849, California Title 13 guidelines with 100 watt Code 3 speakers.