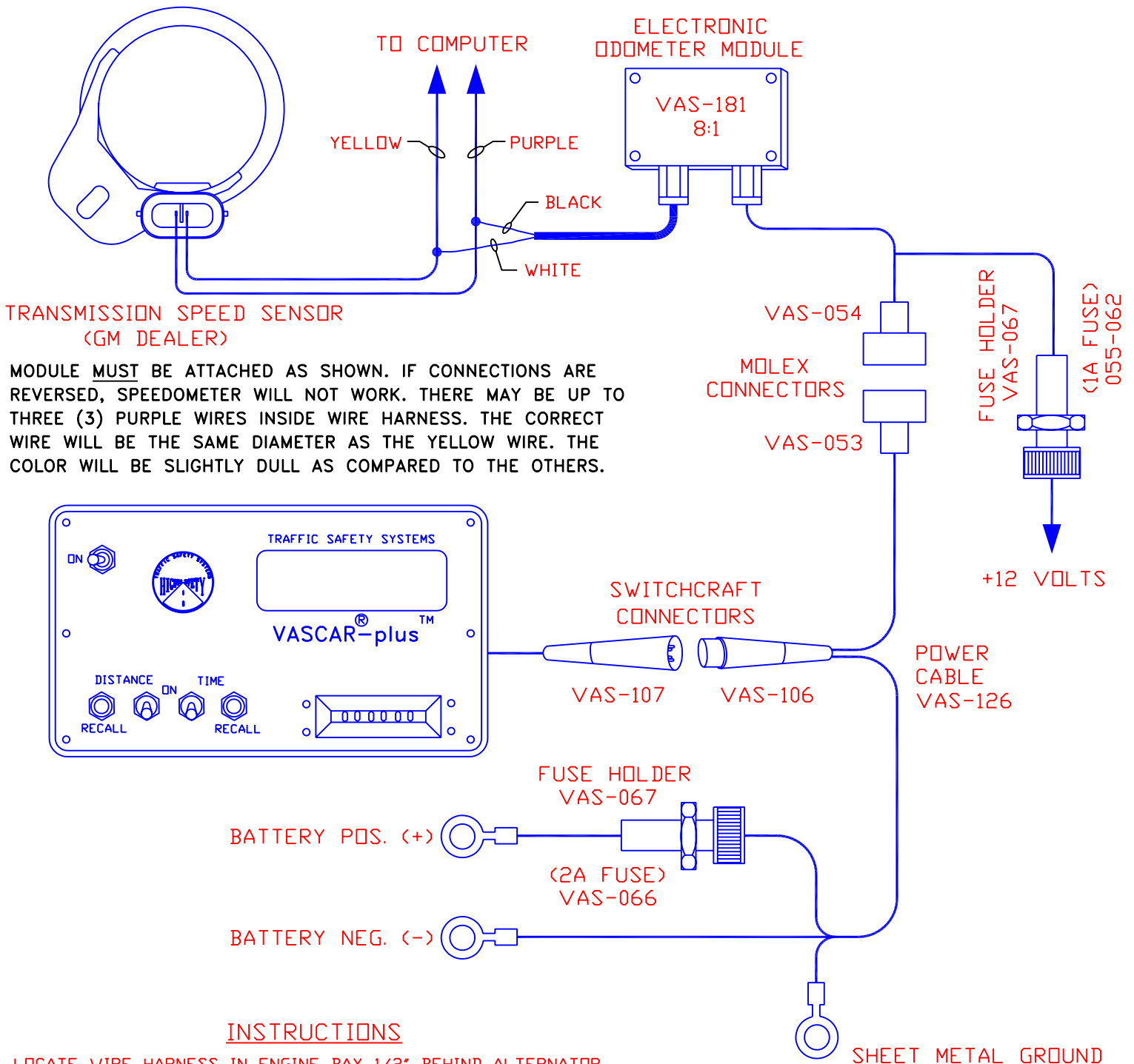


CHEVROLET LUMINA WITH GEAR TOOTH SENSOR. VASCAR WIRING DIAGRAM



INSTRUCTIONS

LOCATE WIRE HARNESS IN ENGINE BAY 1/2" BEHIND ALTERNATOR. NEAR THE BOTTOM OF HARNESS IS A YELLOW & PURPLE TWISTED PAIR. SPLICE WHITE WIRE TO YELLOW WIRE.

TRAFFIC SAFETY SYSTEMS
A DIVISION OF POWER SYSTEMS & CONTROLS, INC.
3206 LANVALE AVE.
RICHMOND, VIRGINIA 23230
(804) 353-3826